

© - TE Connectivity. All Rights Reserved.

REVISIONS				
P	LTR	DESCRIPTION	DATE	APVD
	K1	REVISED PER ECN-22-150900	28APR2022	RK CSD

**AMP**  
WIRE RANGE

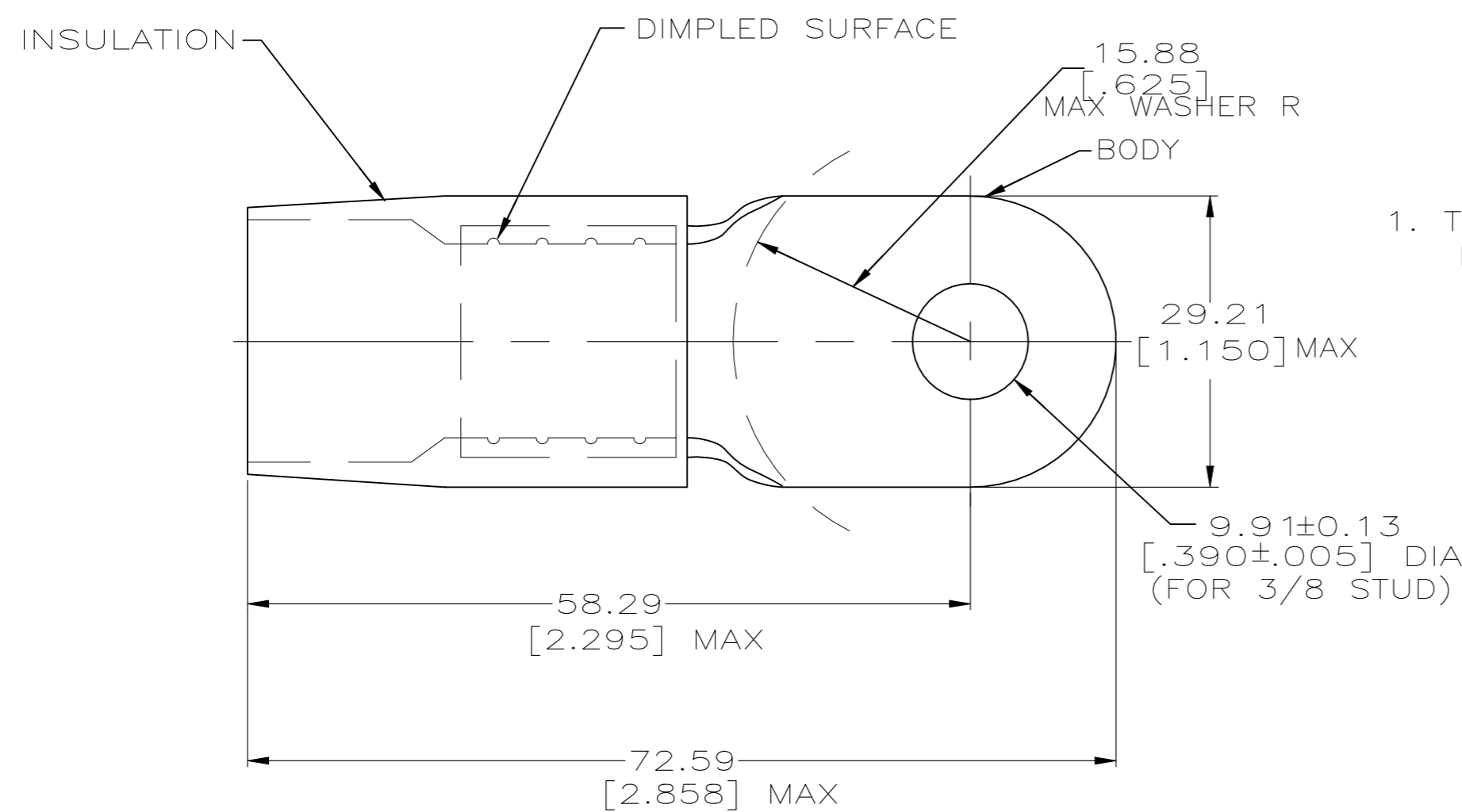
---

4/0 AWG  
STRANDED

**METRIC**

DIMENSIONS LISTED IN mm [ INCHES ]

1. TONGUE MATERIAL THK  $2.59 \pm 0.08$  [.102 ± .003]  
FOR 19.43 [.765] MAX WIRE INS DIA



-	LOOSE PC	324187
QTY	PACKAGE TYPE	PART NO

AMP INCORPORATED CUSTOMER SERVICE SYSTEMS		MAX RECOMMENDED OPERATING TEMPERATURE: 105° c	THIS DRAWING IS A CONTROLLED DOCUMENT.		DWN S.S. GOULDEN 6-21-93	<b>STE</b> TE Connectivity			
FOR ADDITIONAL PRODUCT INFORMATION OR COPIES OF DRAWINGS AND TECHNICAL DOCUMENTS	PRODUCT INFORMATION CENTER 1-800-522-6752	VOLTAGE RATING: -	DIMENSIONS: mm[INCHES]	TOLERANCES UNLESS OTHERWISE SPECIFIED:	CHK R. HERSEY 6-21-93				NAME TERMINAL, RING TONGUE, TERMINYL WIRE SIZE: 4/0 AWG
FOR APPLICATION TOOLING INFORMATION	TOOLING ASSISTANCE CENTER 1-800-722-1111	CIRCULAR MIL AREA: 96.3-117mm <sup>2</sup> [190,000-231,100] STRANDED		0 PLC ± - 1 PLC ± - 2 PLC ± 0.20 [.008] 3 PLC ± - 4 PLC ± - ANGLES ± -	APVD B. BARE 6-21-93	APPLICATION SPEC			
FOR ORDER ENTRY	1-800-526-5142	THIS DRAWING IS A CONTROLLED DOCUMENT FOR AMP INCORPORATED. IT IS SUBJECT TO CHANGE AND THE CONTROLLING ENGINEERING ORGANIZATION SHOULD BE CONTACTED FOR THE LATEST REVISION.	MATERIAL COPPER PER ASTM B-152 NYLON (MIL-M-20693) TYPE 1 COLOR: RED	FINISH TIN PLATE PER MIL-T-1072	PRODUCT SPEC	SIZE A3	CAGE CODE 00779	DRAWING NO C-324187	RESTRICTED TO
			CUSTOMER DRAWING		WEIGHT -	SCALE NTS	SHEET 1 OF 1	REV K1	