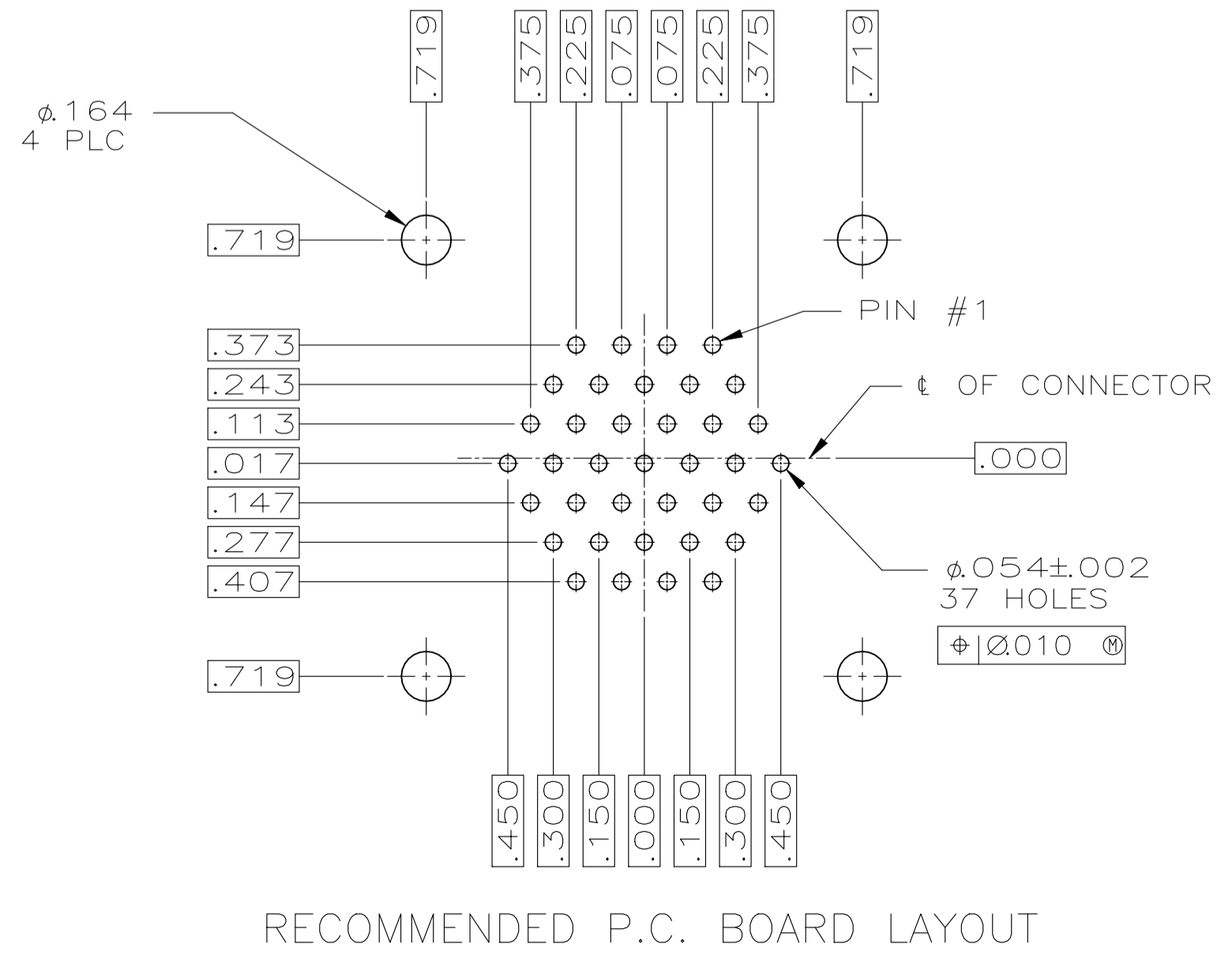
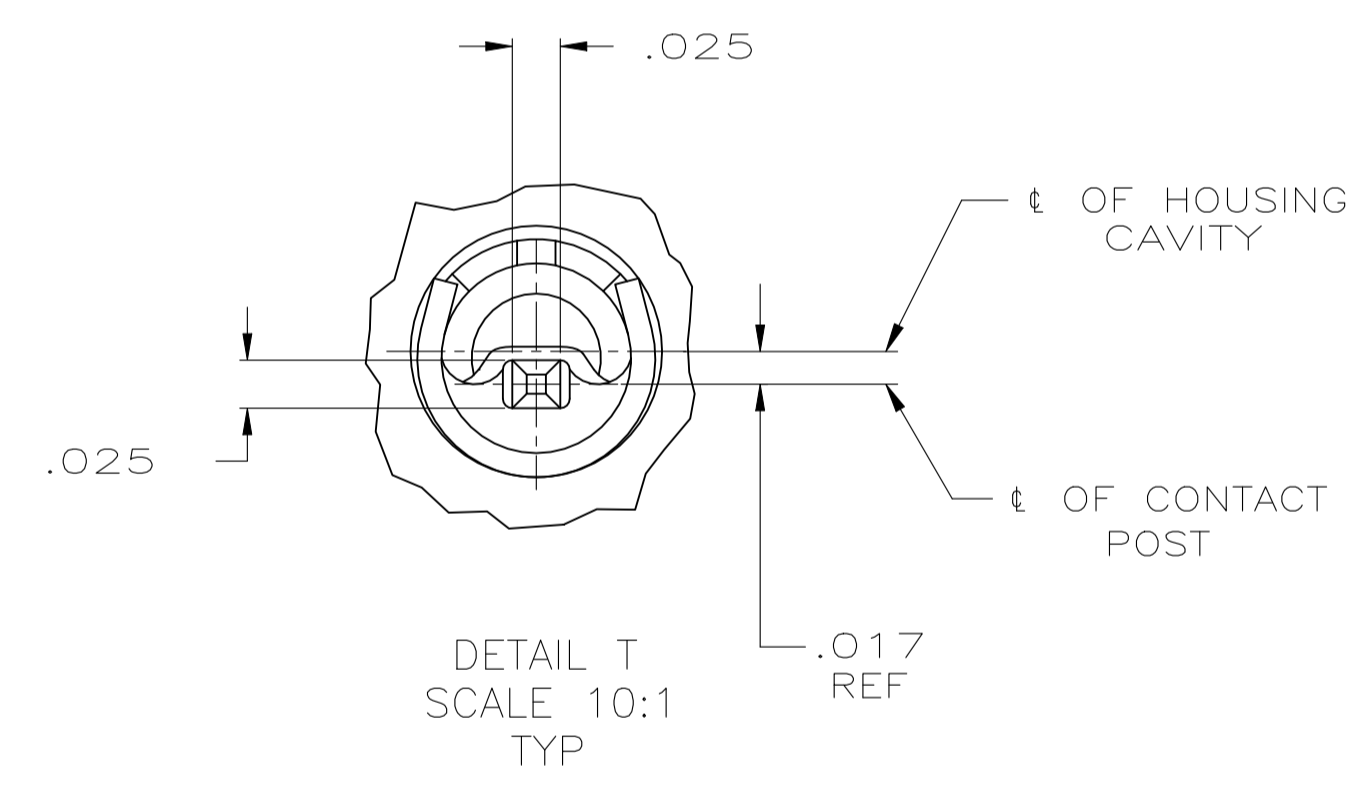
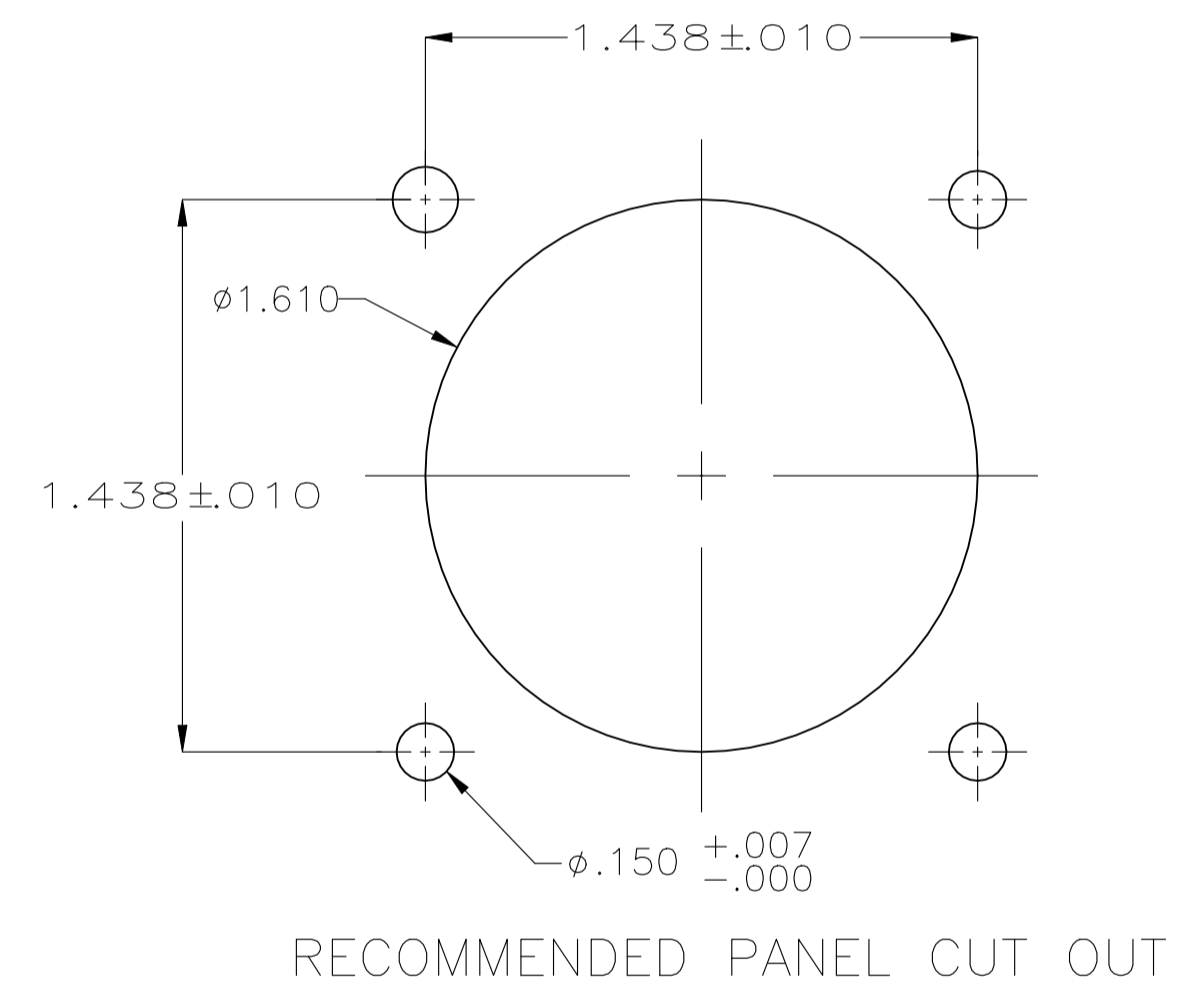
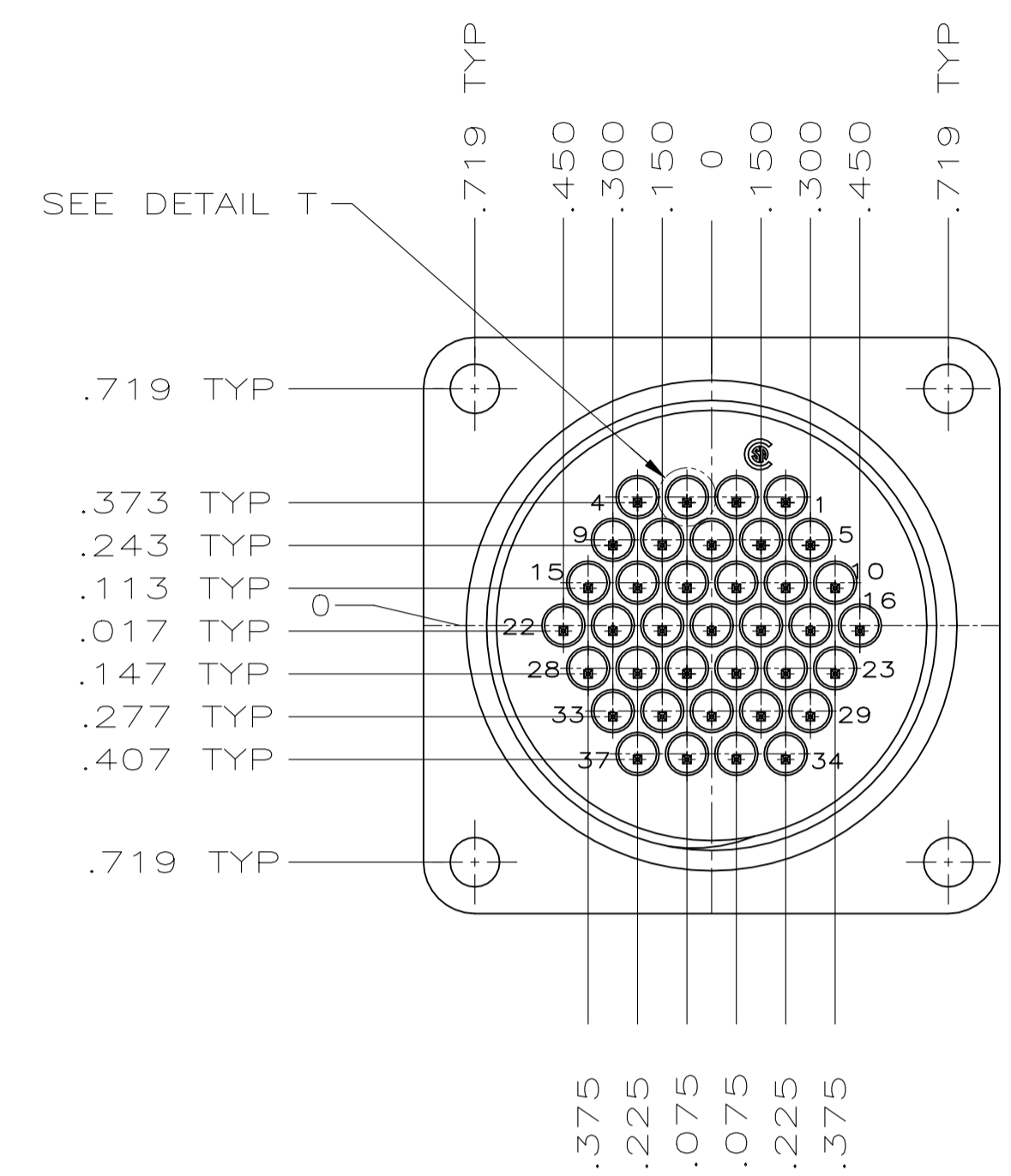
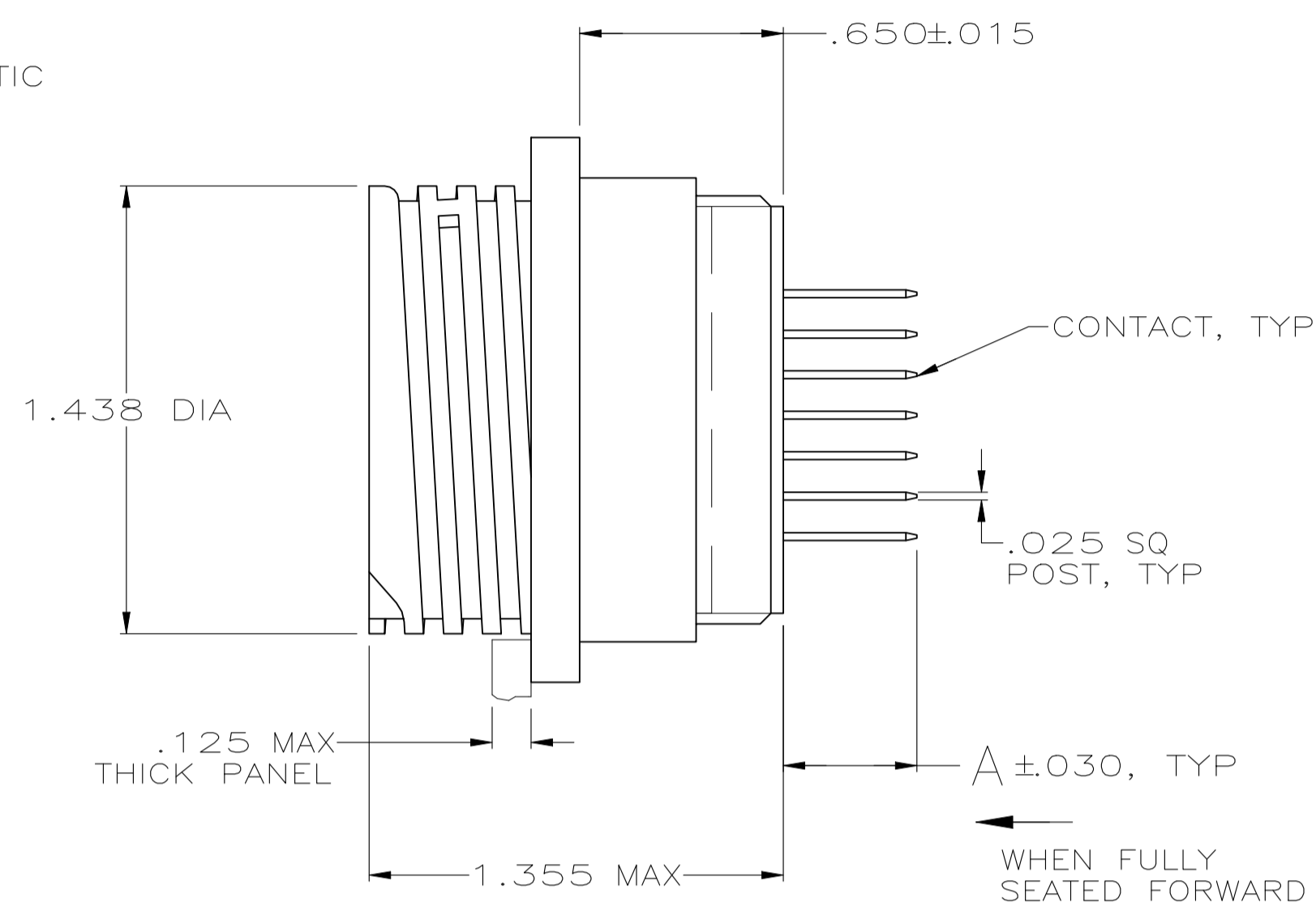
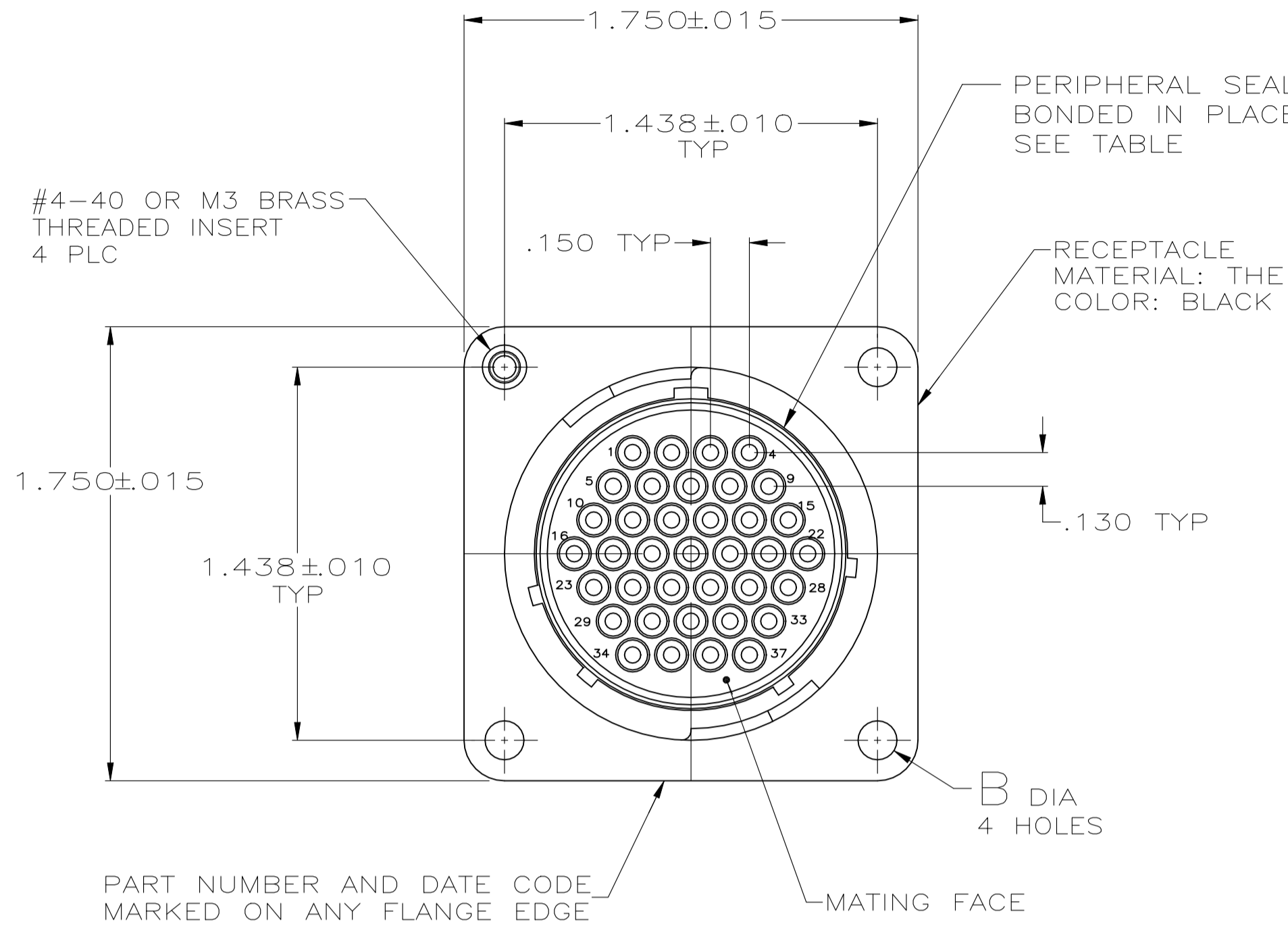


REVISIONS					
P	LTR	DESCRIPTION	DATE	DN	APVD
AJ2	REVISED PER	ECR-22-150475	26AUG2022	RK	MZ



- 1 CONNECTOR WILL ACCEPT POSTED TYPE III+ PIN CONTACTS.
- 2 CONTACT BODY: SELECT GOLD OVER NICKEL.  
CONTACT POST: TIN-LEAD PER MIL-T-10727 OVER COPPER PER MIL-C-14550A.
- 3 RECOMMENDED PC BOARD HOLE SIZE FOR CONTACT POST: 1.02±0.08[.040±.003] DIA.
- 4
- 5 CONTACT BODY: SELECT GOLD OVER NICKEL.  
CONTACT POST: TIN OVER NICKEL.
- 6 POSITIONS LOADED WITH CONTACTS: 1-4, 10-17, 19-22, 24, 25, 29, 30, 32, 33.
- 7 POSITIONS LOADED WITH CONTACTS: 1-20, 22-28, 30-37.
- 8 OBSOLETE PARTS: OBSOLETE CIS STREAMLINING PER D.RENAUD/D.SINISI.
- 9 CONTACT BODY: TIN OVER NICKEL.  
CONTACT POST: TIN OVER NICKEL.
- 10 CONTACT BODY: SELECT GOLD OVER NICKEL.  
CONTACT POST: TIN/LEAD OVER NICKEL.
- 11 CONTACT BODY: TIN/LEAD OVER NICKEL.  
CONTACT POST: TIN/LEAD OVER NICKEL.

5	NO	YES	NO	-	.220	3-206934-1
5	NO	YES	NO	-	.220	3-206934-0
5	NO	YES	YES	-	.170	2-206934-9
5	NO	YES	NO	-	.413	2-206934-8
5	NO	YES	NO	-	.257	2-206934-7
5	NO	YES	YES	-	.119	2-206934-6
5	NO	NO	NO	.150±.003	.240	2-206934-5
5	NO	NO	NO	.150±.003	.220	2-206934-3
5	NO	NO	YES	.150±.003	.119	2-206934-2
5	NO	NO	NO	.150±.003	.119	2-206934-1
5	NO	YES	YES	-	.618	2-206934-0
5	NO	NO	NO	.150±.003	.618	1-206934-9
5	NO	NO	NO	.150±.003	.429	1-206934-8
5	NO	YES	YES	-	.119	1-206934-7
5	NO	NO	YES	.150±.003	.429	1-206934-5
5	NO	YES	NO	-	.618	1-206934-4
5	NO	YES	NO	-	.220	1-206934-3
5	NO	NO	NO	.150±.003	.429	1-206934-2
5	NO	NO	NO	.150±.003	.220	1-206934-1
5	YES	NO	YES	-	.119	1-206934-0
5	YES	YES	YES	-	.119	1-206934-9
5	NO	NO	NO	.150±.003	.618	1-206934-7
5	NO	NO	NO	.150±.003	.429	1-206934-6
5	NO	NO	NO	.150±.003	.119	1-206934-5
5	NO	YES	NO	-	.220	1-206934-4
5	NO	NO	NO	.158±.001	.618	1-206934-3
5	NO	NO	NO	.158±.001	.429	1-206934-2
5	NO	NO	NO	.150±.003	.220	1-206934-1

CONTACT FINISH	M3 INSERTS	4-40 INSERTS	PERIPHERAL SEAL	B	A	PART NUMBER

THIS DRAWING IS A CONTROLLED DOCUMENT.		DIN 5-30-91	J. GALLUCCI	
DIMENSIONS: INCHES		TOLERANCES UNLESS OTHERWISE SPECIFIED:	W.G. LENKER	
0 PLC ± .005		1 PLC ± .005	4-14-92	
2 PLC ± .005		3 PLC ± .005	K. REAVER	
4 PLC ± .005		ANGLES ± .005	4-14-92	
MATERIAL SEE CALLOUT		FINISH CONTACT: 5	NAME	
WEIGHT		SIZE	RECEPTACLE ASSEMBLY, POSTED, STD SEX, SERIES 1, 23-37, CPC	
CUSTOMER DRAWING		SCALE 2:1	SHEET 1 of 1	