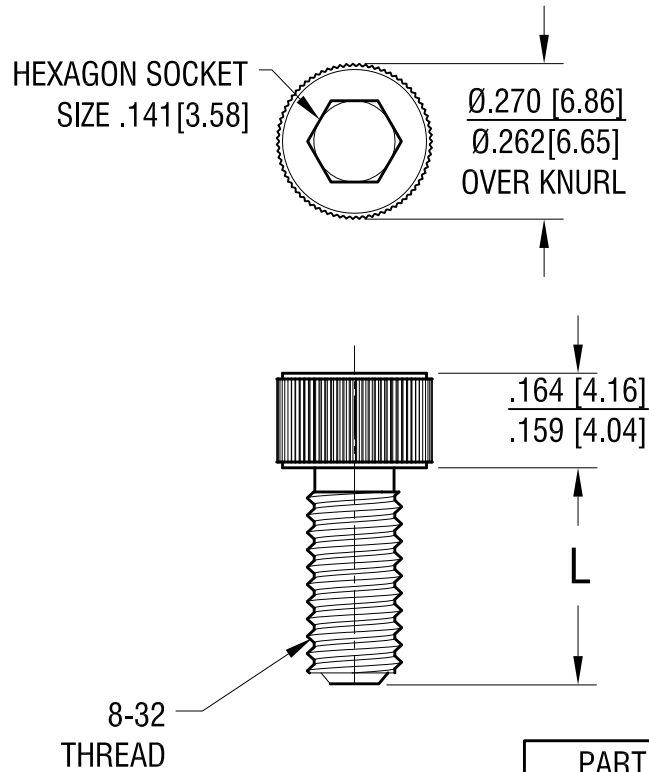


THIS DOCUMENT IS THE PROPERTY OF  
KEYSTONE ELECTRONICS CORP. AND  
SHALL NOT BE REPRODUCED, DISTRIBUTED  
OR USED AS A BASIS FOR MANUFACTURE  
WITHOUT PRIOR WRITTEN PERMISSION  
FROM KEYSTONE ELECTRONICS CORP.

**ACTUAL SIZE**



P/N 21806



PART NUMPER	L +.000 [+0.000] -.030 [-0.76]
21804	.250 [6.35]
21806	.375 [9.52]
21808	.500 [12.70]
21810	.625 [15.87]
21812	.750 [19.04]
21816	1.000 [25.40]
PART NUMPER	L +.000 [+0.000] -.040 [-1.02]
21820	1.250 [31.73]

**KEYSTONE ELECTRONICS CORP.**  
www.keyelco.com • NEW HYDE PARK, NY 11040 • Tel (516) 328-7500

PART NAME: SOCKET HEAD SCREW

MATERIAL: TITANIUM, GRADE 2

FINISH: NONE

DRN BY: NT DATE: 9.10.20

APP'D: RH SCALE: 3X

TOLERANCES INCH [MM]  
DECIMAL ± .005 [± 0.13]  
ANGULAR ± 1°  
UNLESS OTHERWISE SPECIFIED

CODE: C DWG NO.: 21804 - 21820

DATE	DESCRIPTION	REV.
------	-------------	------