

■ Features

- Single output from 31-36W
- 100-240Vac Universal Input
- Frequency: 47-63Hz
- Ripple: 200mVp-p
- OVP, SCP, and Overload protection
- Efficiency Level: VI
- Available Plug types: US, EU, AU, UK, KC, CN plug
- Dimension: 76.3x43.8x39.5mm(exclude plug)



■ Application

- Consumer electronics, Telecom and office equipment
- Industrial equipment

*Product images are for illustrative purposes only and may vary from actual design.

■ Model List

Custom Designs Available!

Model	Output Voltage	Output Current	Power	Certifications
WM036P6-090-X-XX	9V	3.4A	31W	UL, cUL
WM036P6-120-X-XX	12V	3A	36W	UL, cUL
WM036P6-150-X-XX	15V	2.4A	36W	UL, cUL
WM036P6-240-X-XX	24V	1.5A	36W	UL, cUL

■ Technical Data

Rated Voltage (1)	(9-24V) Available in 0.1V increments
Rated Power	31-36W
Ripple & Noise (2)	200mVp-p
Current Range	0-4A
Total Regulation	+/- 5%
Overshoot/Undershoot	10%
Turn On Delay (Max.)	0.5-2s
Hold-up Time	10ms @115Vac/60Hz max. load & 20ms @230Vac/50Hz
Rated Voltage	100 ~ 240Vac (90-264Vac Operational)
Frequency Range	47Hz ~ 63Hz

1. Output voltage tolerance +/-5%
2. Max., Measuring is done by 20MHz bandwidth oscilloscope and terminated each output with a 22uF aluminum electrolytic capacitor and a 0.1uF ceramic capacitor. Full load, 25C ambient temperature at 115Vac and 230 Vac.

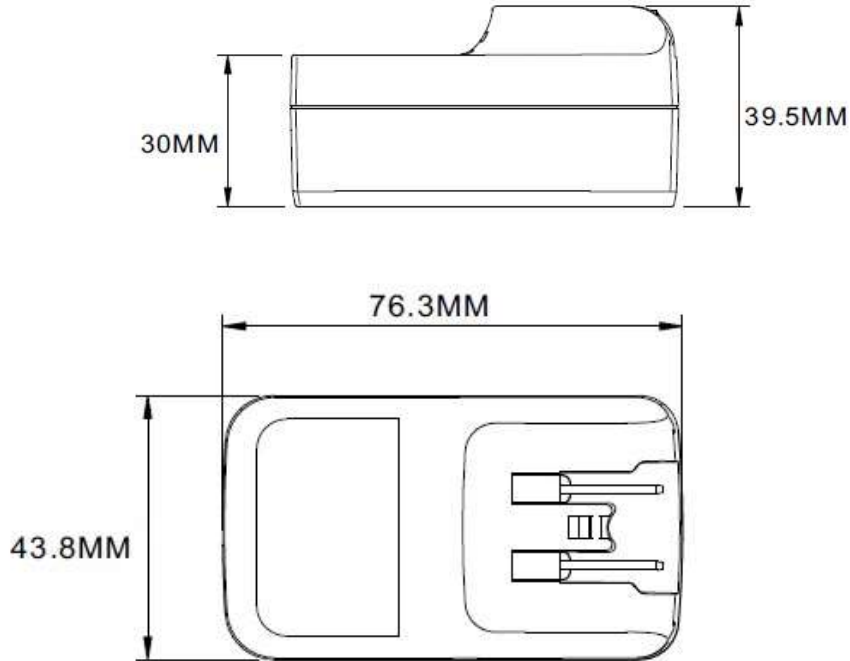
■ **Technical Data(cont.)**

Efficiency	~86%
Inrush Current	60A Max. @230Vac
AC Current (Typ.)	0.75A / 100-240Vac
Short Circuit	Hiccup mode, no damage shall occur and the power supply shall restart when the fault condition is removed
Over Voltage	Latch mode, recycle AC to restart power supply
Overload	Hiccup mode, at 150% (Max.) rated load and the power supply shall restart when the fault condition is removed
Temperature Range Operational	0°C ~ 40°C
Temperature Range Storage	- 10°C ~ +70°C
Humidity Operational	20% ~90% R.H
Humidity Storage	20% ~90% R.H
Altitude Operational	Will operate properly at altitudes between 0 to 10000ft
MTBF	>50,000 hours (Measured at 110Vac input, 100% Load and 25°C ambient temperature)
Burn-in	2-4 Hours (Min.) at 40C (+/-5%) at full load with cycling
Dimension (L*W*H)	76.3×43.8×39.5mm (+/-0.5mm) – 3×1.72×1.55 inch (US Design)
Weight	188g
RoHS	Complies with EU Directive 2011/65/EU
Packaging	45pc, bulk packaged in poly bags per shipping box
WEEE	Complies with EU Directive 2002/96/EC
EISA 2007	Complies with requirements for external power supplies.
EU	Complies with EU Code of Conduct on external power supplies

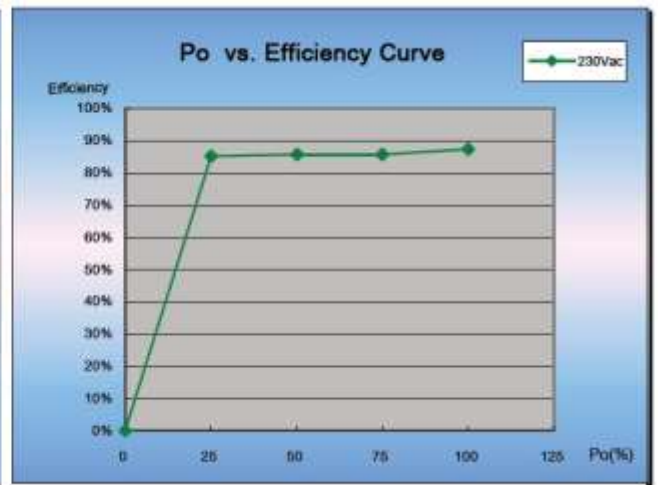
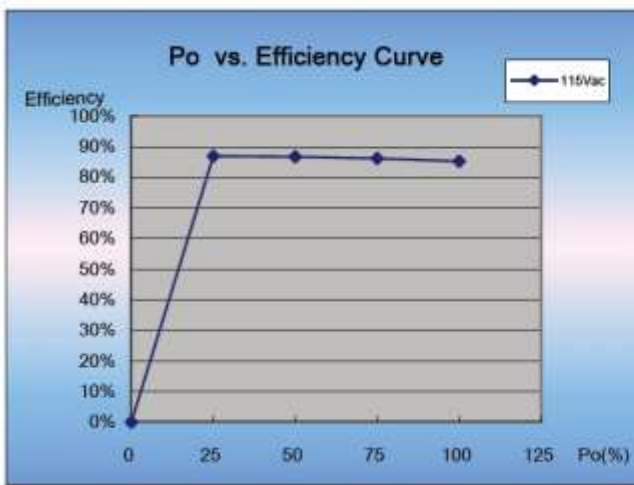
■ **Safety and EMC**

Safety Standards	UL/cUL60065
No load Power Dissipation	< 0.3W
Insulation Resistance	Input to output: Min. 10M OHM at 500 VDC.
Dielectric Strength	Primary to Secondary: DC 4525 V , 5mA Max , for 3 seconds
Conducted & Radiated EMI	EN 55022 Class B, CISPR22 Class B and FCC part 15 Class B
EMS	EN 61000-4-2, EN 61000-4-3, EN 61000-4-4, EN 61000-4-5, EN 61000-4-6, EN 61000-4-8, EN 61000-4-11

■ Mechanical Diagram



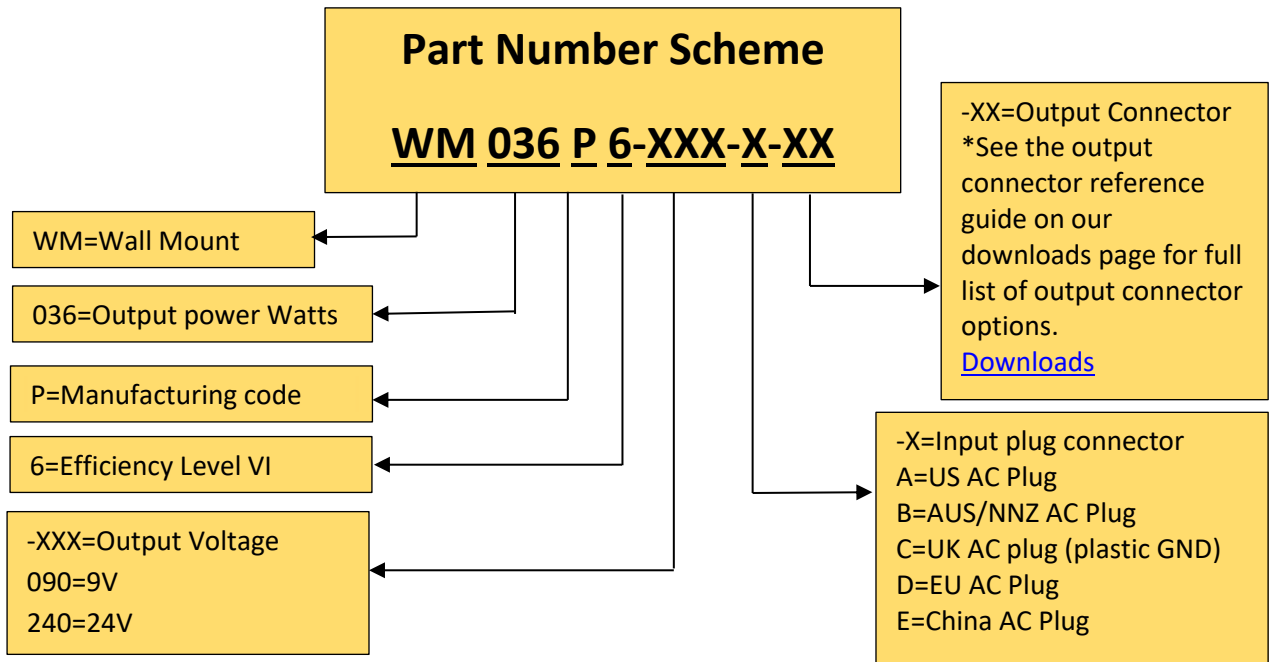
■ Efficiency Curve



Technical Sales / Customer Service: +1-818-338-7788 • Email: sales@autec.com

31328 Via Colinas Suite 102 • Westlake Village, CA 91362 USA • www.autec.com

April 19, 2019



***Some Safety Agency Approvals may differ from what is shown. Contact Autec Sales!**

***Product images are for illustrative purposes only and may vary from actual design.**

***Specifications are subject to change without notice. Autec is not responsible for issues arising from errors or omissions.**