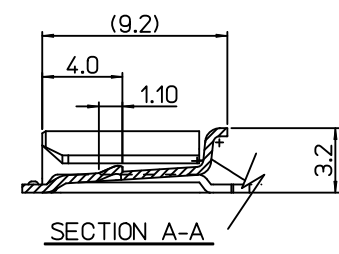
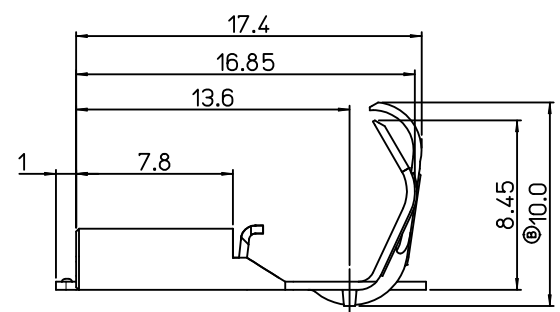
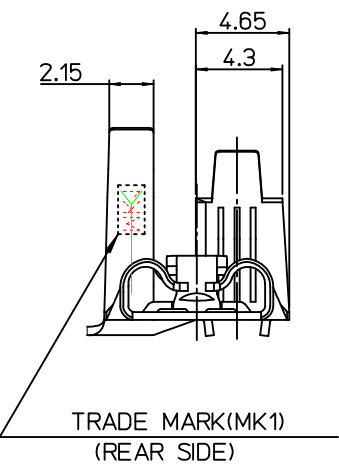


NOTES.

1. MATERIAL : BRASS
2. FINISH : PRE-TIN PLATED
1.0 μm TIN PLATING.
OVERALL 0.3 μm COPPER PLATING
3. MATED HOUSING : 49837-011*
4. MATING TAB : 0.8T
5. APPLICABLE WIRE RANGE : AWG#12~#18
6. PRODUCT SPECIFICATION : PS-49838-001
7. PACKING SPECIFICATION : PK-49838-001
8. CRIMPING SPECIFICATION : CS-49838-001



REVISED EC NO: KOR2010-0144 DRAWN: JHPARK01 CHKD: 2010/03/29 APPR: YUNSIKKIM 2010/03/30	QUALITY SYMBOLS	GENERAL TOLERANCES (UNLESS SPECIFIED)	DIMENSION STYLE	SCALE	DESIGN UNITS	THIRD ANGLE PROJECTION
	$\nabla=0$ $\sphericalangle=0$	mm INCH	MM ONLY	1:1	METRIC	
		4 PLACES ± --- ± ---	DRAWN BY DATE	TITLE .250 MP-LOCK FLAG TERMINAL(MEX)		
		3 PLACES ± --- ± ---	JB. JIN 2007/04/18			
	2 PLACES ± 0.30 ± ---	CHECKED BY DATE	MOLEX INCORPORATED			
	1 PLACE ± 0.30 ± ---	WY. YANG 2007/04/18				
	ANGULAR ± 1 °	APPROVED BY DATE	DOCUMENT NO. SD-49838-001			
		EH. JUNG 2007/04/18				
	DRAFT WHERE APPLICABLE MUST REMAIN WITHIN DIMENSIONS	MATERIAL NO.	SHEET NO. 1 OF 01			
		498389102				
		SIZE A3	THIS DRAWING CONTAINS INFORMATION THAT IS PROPRIETARY TO MOLEX INCORPORATED AND SHOULD NOT BE USED WITHOUT WRITTEN PERMISSION			