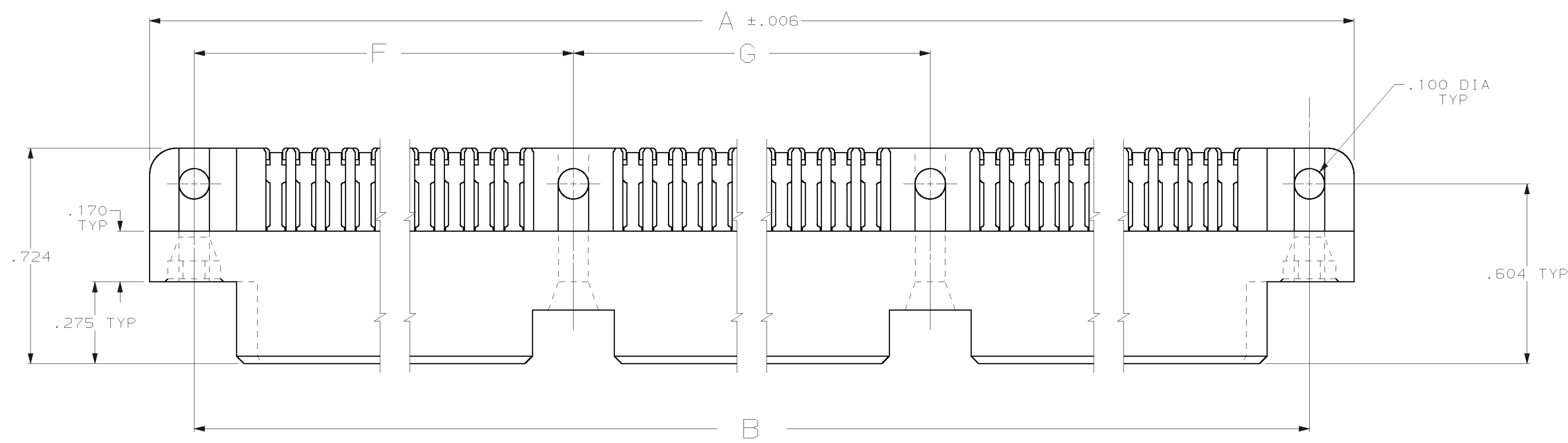
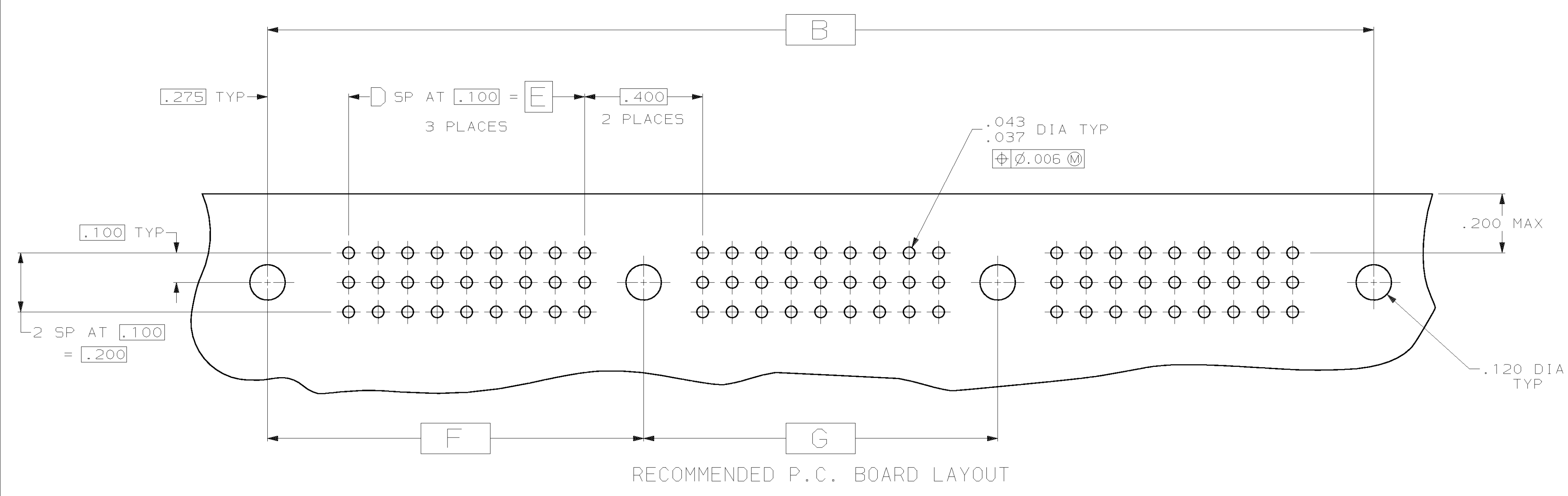
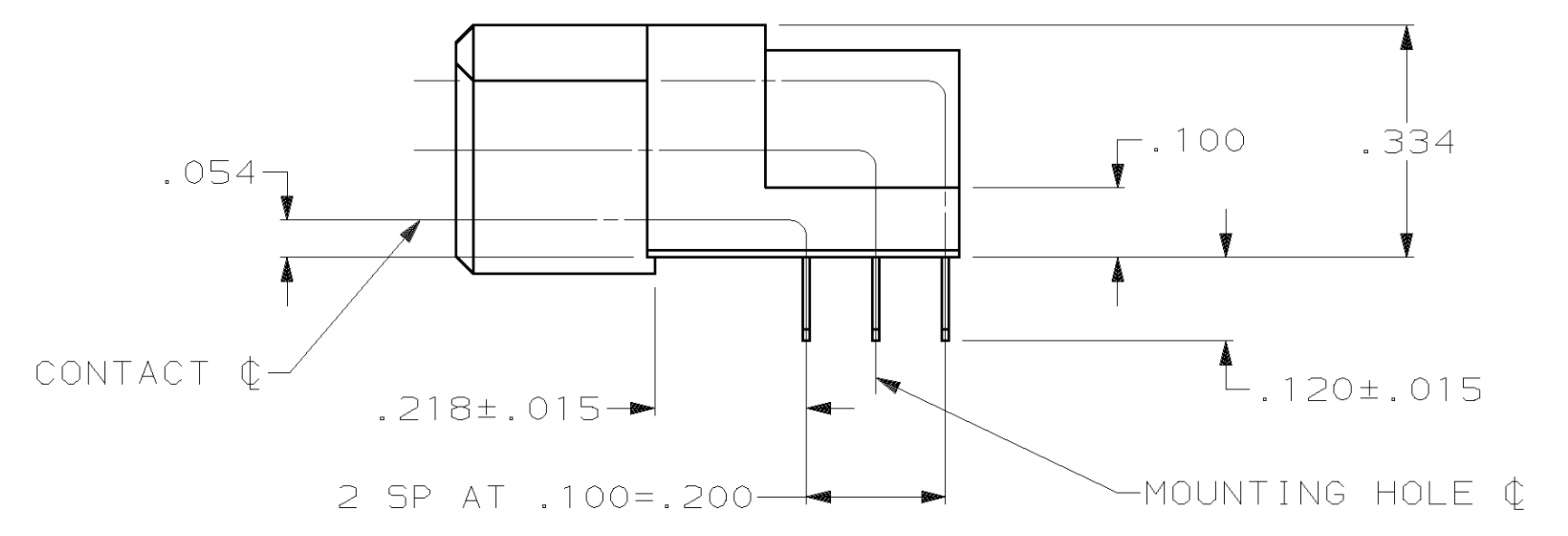
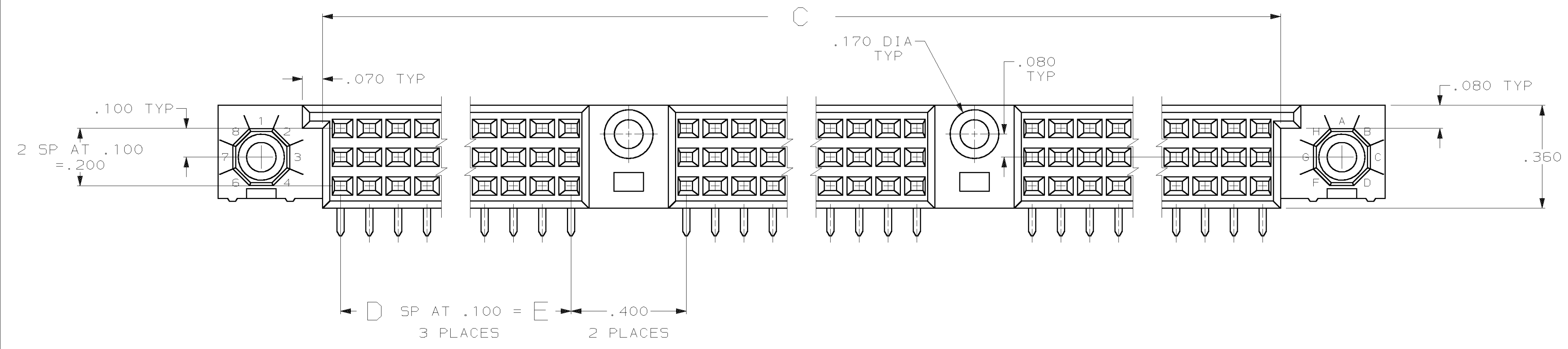


LOC		DIST		REV		REVISIONS			
AD	25	P	F	ZONE	LTR	DESCRIPTION	DATE	APPD	
					C	REDRAWN ON CAD PER ECN AD5477	6-13-91	-	
					D	ADDED -3	8/6/92	TH	
					E	REVISED PER ECN 0010-1013-93 T.S.	6-23-93	JW	
					F	ECN. 0010-1684-94	11/17/94	NFS	
					G	REV PER EC 001B-0199-01	14 NOV 01	WM	



- ① HOUSING MATERIAL: THERMOPLASTIC, BLACK.
- ② CONTACT MATERIAL: BERYLLIUM COPPER.
- ③ CONTACT FINISH: .000050-.000100 NICKEL UNDERPLATE ALL OVER WITH .000030 GOLD IN CONTACT AREA AND .000100-.000200 TIN-LEAD PLATED POSTS.



4.800	4.875	4.400	44	14.124	14.550	14.850	405	534042-3
5.000	5.075	4.600	46	14.724	15.150	15.450	423	534042-2
4.600	4.675	4.200	42	13.524	13.950	14.250	387	534042-1
G	F	E	D	C	B	A	NO OF POSN	PART NUMBER

DO NOT SCALE PRINT. UNLESS SPECIFIED DIMENSIONS IN INCHES TOLERANCES ON:		DR 6-13-91 J GALLUCCI B6		AMP Incorporated Harrisburg, PA 17105-3608	
2 PLC DEC ± -		CHK 12/10/91 DAVID HOFFMAN			
3 PLC DEC ± .005		APPD 12/10/91 WAYNE MILLHIMES		NAME	
ANGLES ± -		APPD 12/10/91 VAN WEBSTER		ASSEMBLY, RECEPTACLE, TWIN BEAM CONNECTOR, 3 ROW, 2 MOUNTING HOLES, 2 GUIDE PIN, .120 POST LENGTH	
MATERIAL		PRODUCT SPEC 108-1098		SIZE	
FINISH		APPLICATION SPEC		CAGE CODE	
WEIGHT				DRAWING NO	
				00779	
				534042	
				SCALE 4:1	
				SHEET 1 OF 1	