

Material:

△ * Insulation: Nylon 66 UL 94V-2

Ordering Code :

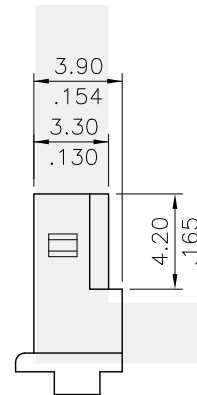
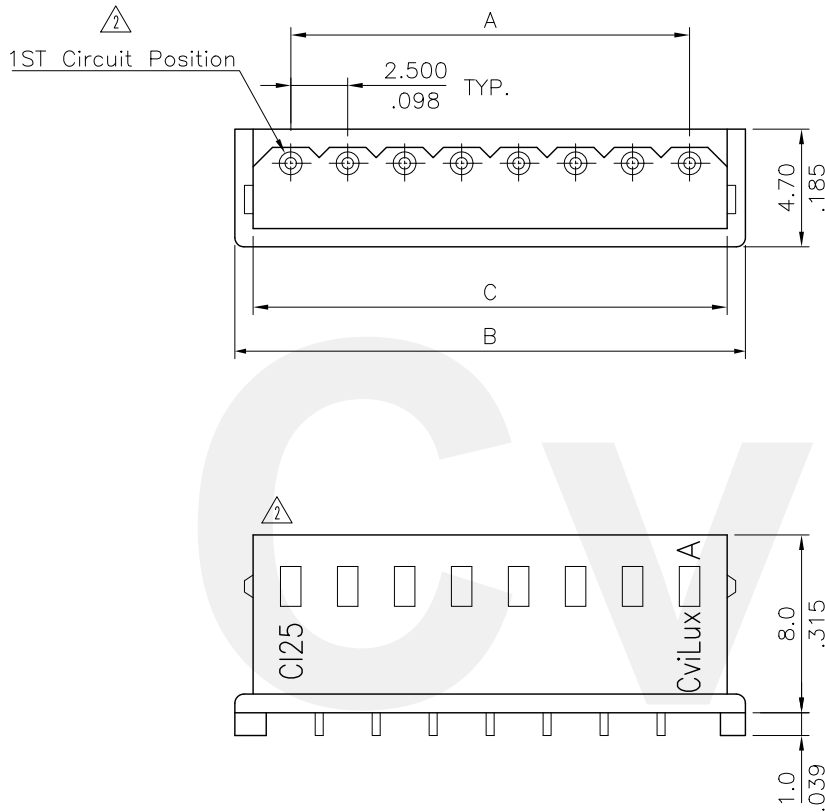
CI25 ** S 00*0
 ① ② ③ ④

① Series No.

② No. of Circuits:

③ S= Connector housing

△△ ④ Color: 0000= Color Nature(Standard)
 0010= Color Black
 0030= Color Red



Circuits	Dimension		
	A	B	C △
2	2.50(.098)	7.4(.291)	5.80(.228)
3	5.00(.197)	9.9(.390)	8.30(.327)
4	7.50(.295)	12.4(.488)	10.80(.425)
5	10.00(.394)	14.9(.587)	13.30(.524)
6	12.50(.492)	17.4(.685)	15.80(.622)
7	15.00(.591)	19.9(.783)	18.30(.720)
8	17.50(.689)	22.4(.882)	20.80(.819)
9	20.00(.787)	24.9(.980)	23.30(.917)
10	22.50(.886)	27.4(1.079)	25.80(1.016)
11	25.00(.984)	29.9(1.177)	28.30(1.114)
12	27.50(1.083)	32.4(1.276)	30.80(1.213)
13	30.00(1.181)	34.9(1.374)	33.30(1.311)
14	32.50(1.280)	37.4(1.472)	35.80(1.409)
15	35.00(1.378)	39.9(1.571)	38.30(1.508)

Halogen-Free **RoHS Compliant**

△4	Una	2/18-11'	ECN11039		DATE	2/18-11'	UNIT: mm / inch	TITLE: 2.50MM(.098") CRIMP TERMINAL HOUSING
△3	Sandy	4/22-08'	ECN08192		DRAWN BY: Una	2/18-11'	TOLERANCE UNLESS OTHERWISE SPECIFIED	
△2	Sandy	10/19-07'	ECN07423/ECR07073-1		ENGINEER: Easley	2/21-11'	.X ± 0.30/.012	X* ± 1"
△1	Bill	8/10-07'	ECR07093-0/ECN07309		CHECKED BY: Easley	2/21-11'	.XX ± 0.20/.008	.X* ±
SYM	NAME	DATE	REVISIONS		APPROVED BY: David	2/21-11'	.XXX ± 0.10/.004	.XX* ±

瀚荃股份有限公司
 CviLux Corporation

DRAWING NO.	CI2501SG	PART NO.	CI25**S00*0
SCALE	3 / 1	SHEET	1 OF 1