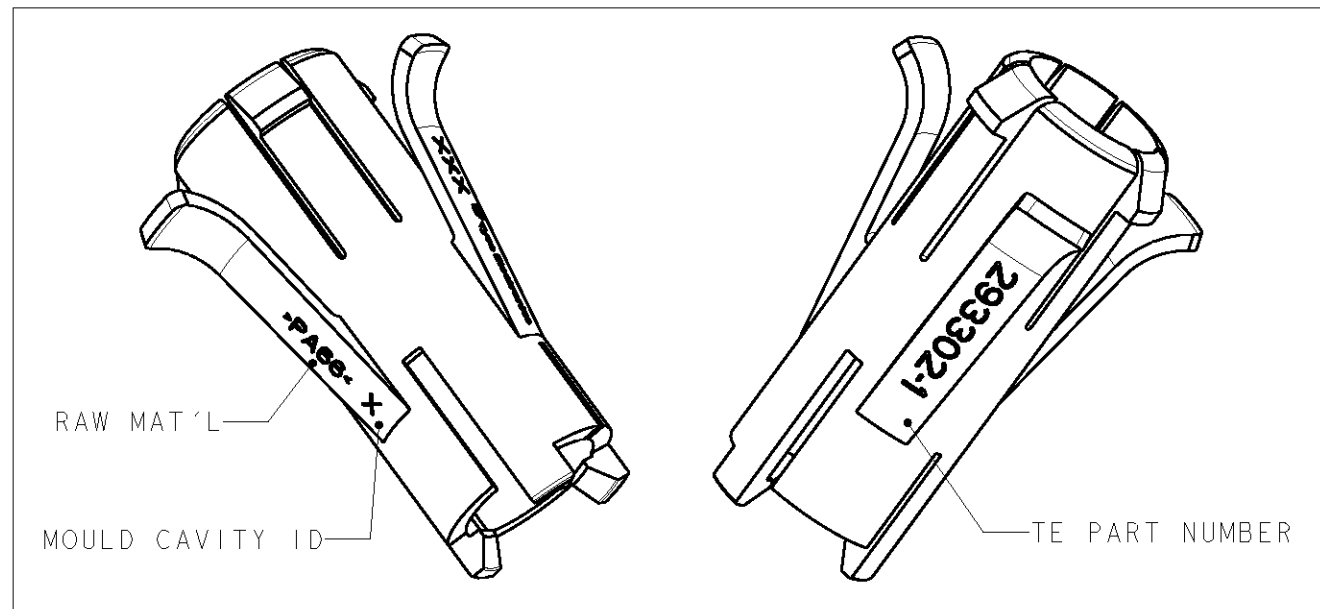
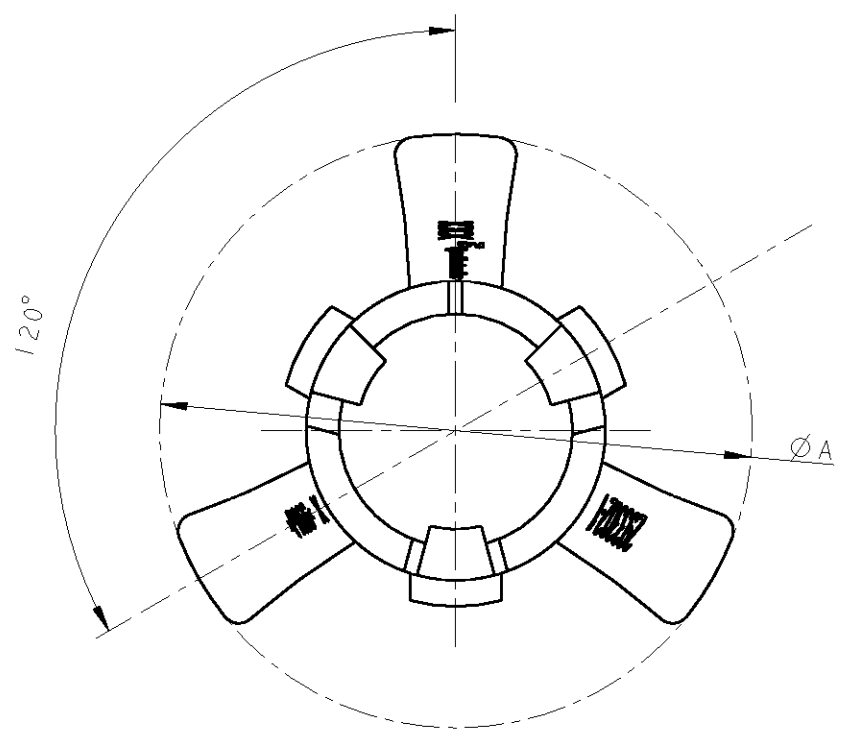
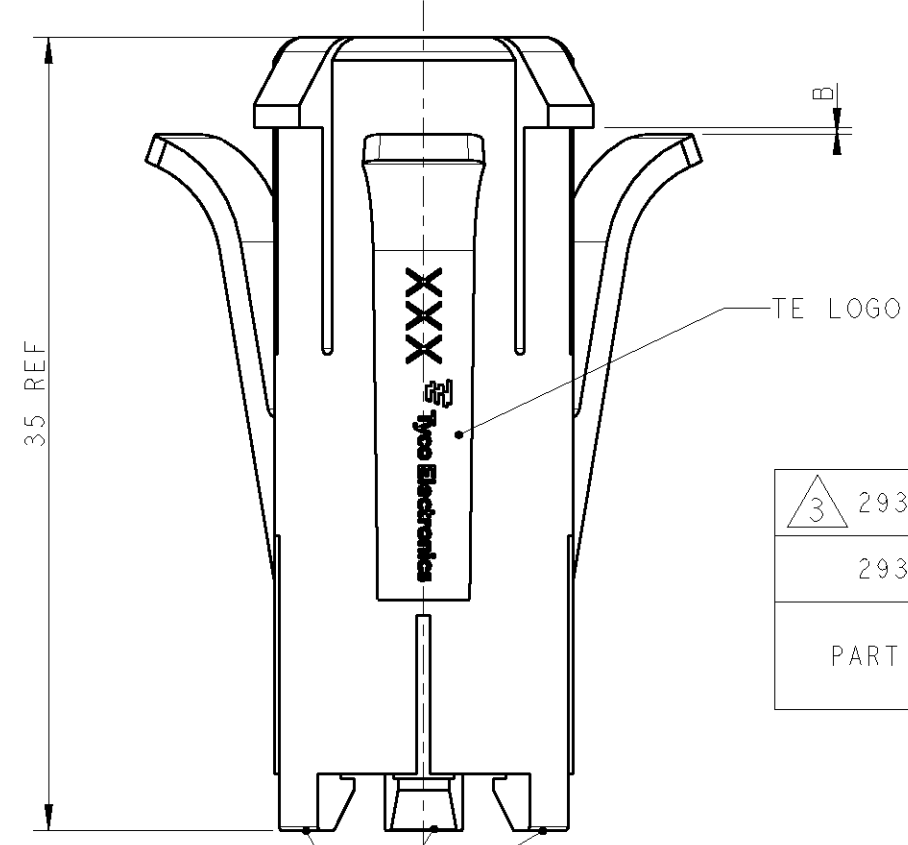


THIS DRAWING IS UNPUBLISHED. RELEASED FOR PUBLICATION 20
 © COPYRIGHT 20 BY TYCO ELECTRONICS CORPORATION. ALL RIGHTS RESERVED.

LOC	DIST	REVISIONS			
P	LTR	DESCRIPTION	DATE	DWN	APVD
	A	FIRST ISSUE	18MAY2007	RF	GT
	A1	ADDED PANEL THICKNESS	15JUN2007	RF	GT
	A2	REVISED	27DEC2007	UA	GT

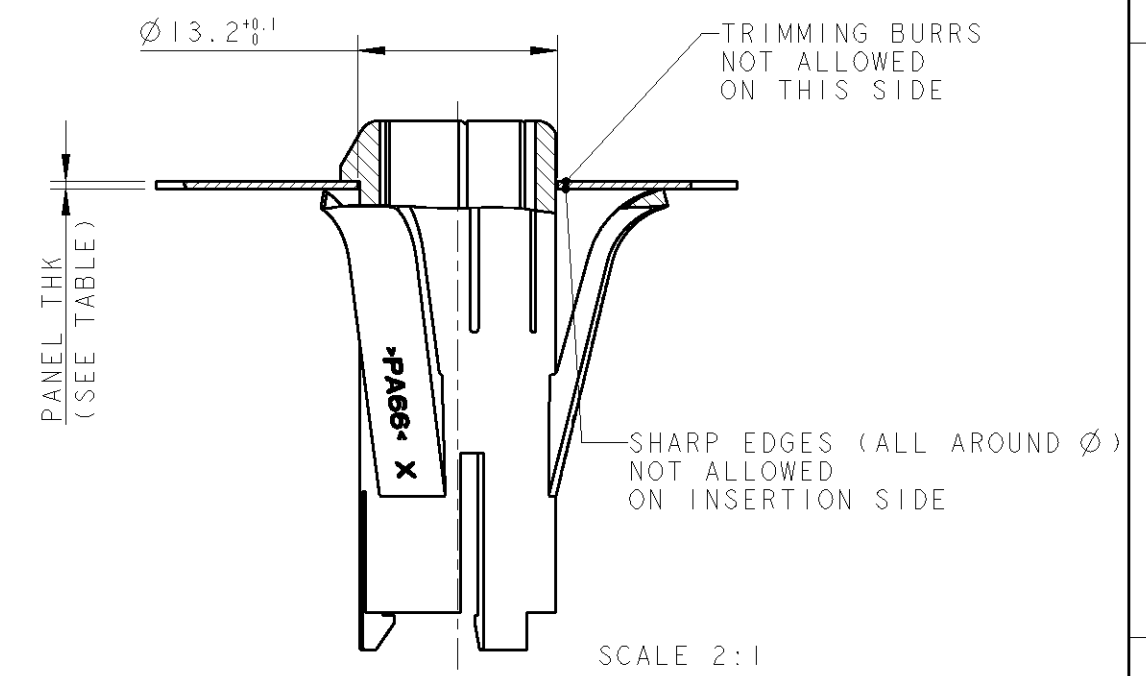


- NOTES:
- 1 MATERIAL: PA66 / GF20%
 - 2. PACKAGING: 500 PIECES/BOX
 - 3 NOT YET TOOLED
 - 4. TO BE USED WITH P/N 293303-1



3	293302-2	A	1	27.3	1.2	1.5	3
	293302-1	A	1	26.1	0.3	0.5	1.5
	PART NO	REV.	MATERIAL	A	B	MIN	MAX
				DIMENSIONS		PANEL THK	

RECOMMENDED CUTOUT



LOCKING TEETH FOR RETENTION WITH P/N 293303-1

THIS DRAWING IS A CONTROLLED DOCUMENT FOR TYCO ELECTRONICS CORPORATION IT IS SUBJECT TO CHANGE AND THE CONTROLLING ENGINEERING ORGANIZATION SHOULD BE CONTACTED FOR THE LATEST REVISION.

DWN	R. FRABONI	18MAY2007	AMP Italia S.p.A. C.so F.lli Cervi 15 Collegno (TO)	
CHK	-	-	Tyco Electronics	
APVD	GT	18MAY2007	NAME MINI HVL LIGHTING SYSTEM 7.5mm CHASSIS MOUNT FRAME	
PRODUCT SPEC	-	-	SIZE	A300779
APPLICATION SPEC	-	-	CAGE CODE	C=293302
WEIGHT	2.8 g	-	DRAWING NO	-
MATERIAL	SEE TABLE	FINISH	-	RESTRICTED TO
CUSTOMER DRAWING			SCALE	3:1
			SHEET	1 OF 1
			REV	A2