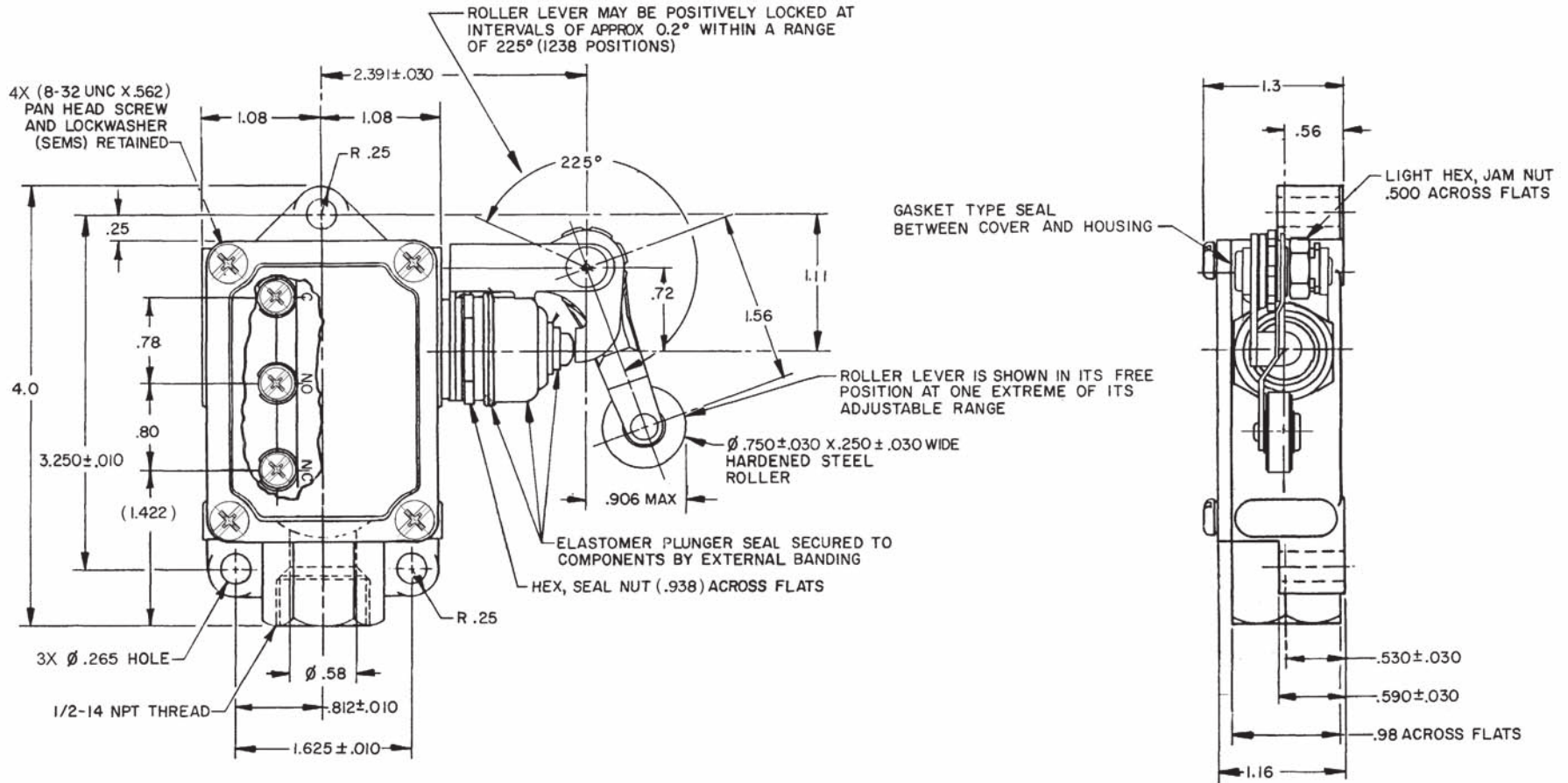


MICRO SWITCH
 a Honeywell Division

SWITCH - ENCLOSED

CATALOG LISTING
BZF1-2RN2-LH
 (LEFT HAND)



FED. MFG. CODE 91929



REVISIONS

A	CO-23287M	16 MAY 95	CMH	01 APR 10
B	COB15130	6 MAR 97	CMH	01 APR 10
C	0063051	16 MAY 95	JJA	16 MAY 95

RASTER DRAWN

THIS DRAWING COVERS A PROPRIETARY ITEM AND IS THE PROPERTY OF MICRO SWITCH, A DIVISION OF HONEYWELL. THIS DRAWING IS NOT TO BE COPIED OR USED WITHOUT THE APPROVAL OF MICRO SWITCH		THIRD ANGLE PROJECTION
CHARACTERISTICS	ELECTRICAL DATA	SCALE FULL
OPERATING FORCE ----- 2 LB MAX	CONTACT ARRANGEMENT S P D T	DO NOT SCALE PRINT
RELEASE FORCE ----- 1/4 LB MIN	-L96- 15 A-125, 250, OR 480 VAC 1/2 A-125 VDC; 1/4 A-250 VDC 1/8 HP-125 VAC; 1/4 HP-250 VAC	UNLESS OTHERWISE SPECIFIED TOLERANCES ARE
PRETRAVEL ----- .219 MAX		ONE PLACE (.0) ± .030
DIFFERENTIAL TRAVEL ----- .008 MAX	 	TWO PLACE (.00) ± .015
OVERTRAVEL ----- .219 MIN		THREE PLACE (.000) ± .005
BASIC SWITCH REPLACEMENT BZ-2R70B-P7		ANGLES ±
		WEIGHT .670 LB

- NOTES
- 1 - ROLLER LEVER BRACKET ASSEMBLY MAY BE SET IN ANY POSITION AROUND AXIS OF PLUNGER
 - 2 - 8-32 UNC X (.219) BINDER HEAD, COMBINATION, TERMINAL SCREWS AND CUPWASHERS