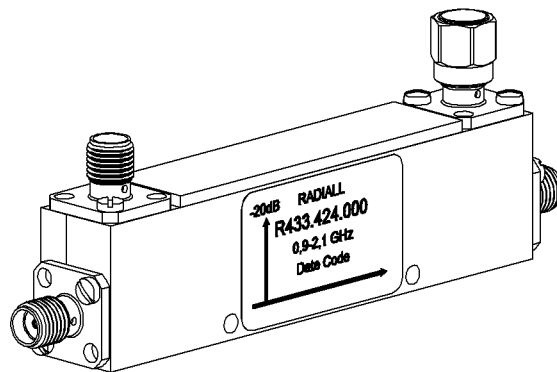
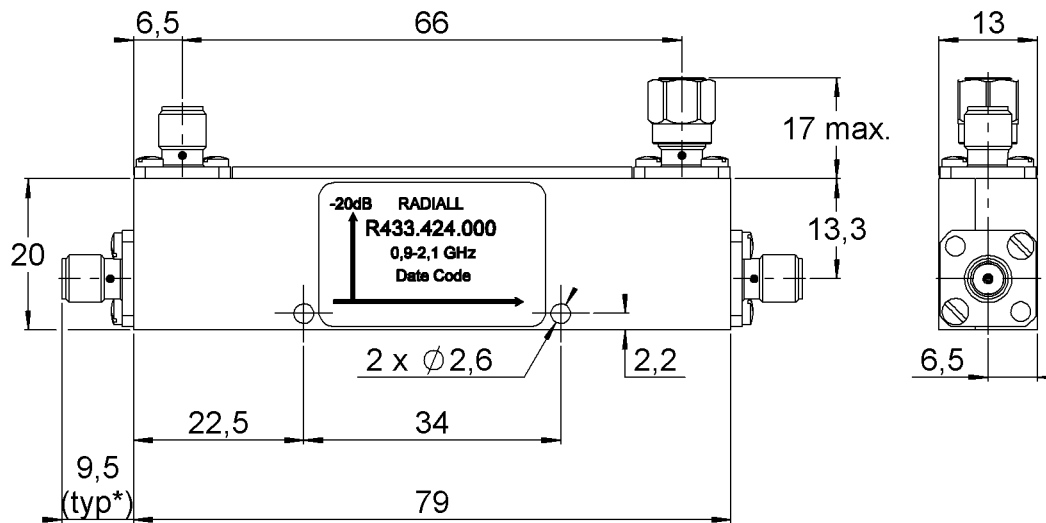


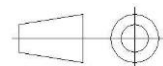
PAGE 1/2	ISSUE 05-12-19E	SERIES COUPLER	PART NUMBER R433424000
----------	-----------------	-------------------	-------------------------------

Scale 1 : 1



All dimensions are in mm. Tolerances according ISO 2768 m-H

Weight Specification **69,4800** g



ELECTRICAL CHARACTERISTICS

Frequency operating range :	0.9 – 2.1 GHz
Impedance :	50 Ω
VSWR : - Main Line	1.15 max.
- Coupled Line	1.15 max.
Nominal Coupling :	20 dB
Coupling Precision :	± 0.8 dB
Insertion Loss :	0.4 dB max.
Directivity :	22 dB mini
Frequency Sensitivity :	± 0.3 dB
Average Power at 25°C	50W
Peak Power at 25°C	3000W

MECHANICAL CHARACTERISTICS

Connector type :	SMA female per MIL-C 39012
Coaxial Termination :	SMA, 50 Ω, 1W

ENVIRONMENTAL CHARACTERISTICS

Operating temperature :	-25°C / +85°C
Storage temperature :	-40°C / +100°C