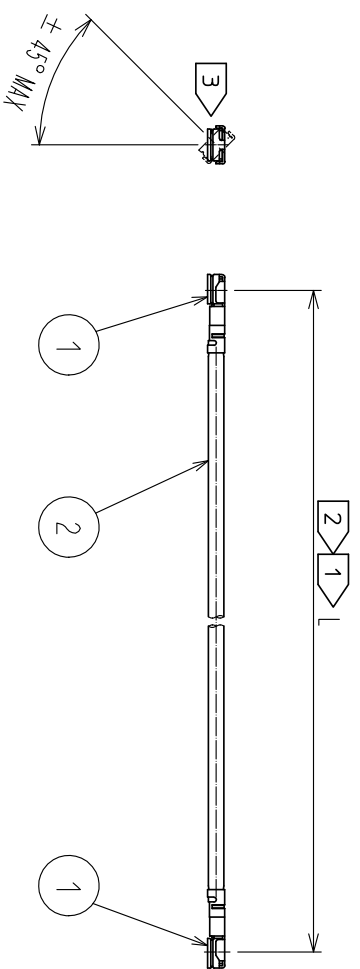


In case of consideration for using Automotive equipment / device which demand high reliability, kindly contact our sales window correspondents.



Part No.	Cable color
~04*1TV~	WHITE
~04*2TV~	BLACK

NOTE 1 We indicate the length of the harness on the last of product name. 'L' part.

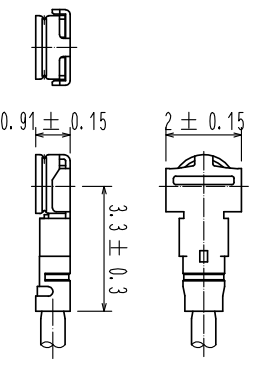
2 Tolerance for [L]

Length L [mm]	Tolerance [mm]
35 ≤ L ≤ 200	±4
200 < L ≤ 500	±8
500 < L ≤ 1000	±12
1000 < L	±1.5%

3 Connector rotation angle is within ±45 degree from the above image. For long length in the case of L>500, the angle is optional.

4. Specifications are subject to change without notice.

【 DIMENSIONS OF CONNECTOR 】



1	W.FL2-LP-040HF(06)	CI331-0311-3-06	2	0.81 Dia. coaxial cable	HALOGEN FREE
NO.	PART NO.	CODE NO.	NO.	PART NO.	

UNITS mm	SCALE	COUNT	DESCRIPTION OF REVISIONS	DESIGNED	CHECKED	DATE
		FREE	DIS-D-00003244	MS.MATSUMOTO	MT.KANERU	18.06.14
APPROVED : NK.NINOMIYA		DRAWING NO.		DRAWING NO.		



HIROSE ELECTRIC CO., LTD.

CHECKED : MT.KANERU	16.07.26	PART NO.	WFL2-2LPHF6-04**TV-A-L
DESIGNED : MS.MATSUMOTO	16.07.26	NO.	
DRAWN : MS.MATSUMOTO	16.07.26	CODE NO.	