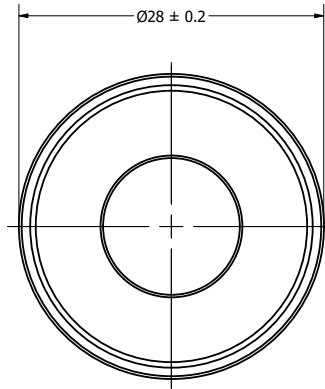
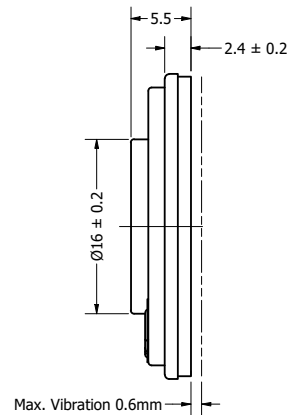


Part Number:	<b>SW280708-1</b>	
	DRAWN	3/23/2017
	CHECKED	10/2/2017
Description:	P.D.	10/2/2017
	APPROVED	10/2/2017
	C.E.	
<small>This document contains data proprietary to DB Unlimited. Any use or reproduction, in any form, without prior written permission of DB Unlimited is prohibited. All terms and conditions can be found at <a href="http://www.dbunlimitedco.com">www.dbunlimitedco.com</a></small>		

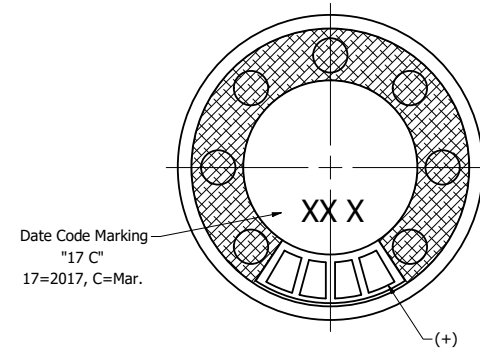
Top View



Side View



Bottom View



Items	Specifications	Conditions
Sound Pressure Level	92	dB (@ 10cm), Avg.
Resonant Frequency	700	Hz
Frequency Range	700 ~ 10,000	Hz
Nominal Power	1.5	W
Max. Power	2	W
Impedance	8	$\Omega$
Cone Material	Mylar	
Mount Type	Flush Mount	
IP Rating	IP67	
Storage Temperature	-30 ~ +65	$^{\circ}\text{C}$
Operating Temperature	-30 ~ +65	$^{\circ}\text{C}$
Weight	6.85	g

REVISION HISTORY

REV	DESCRIPTION	DATE	APPROVED
1	Released from Engineering	10/2/2017	C.E.
2	Added polarity marking	10/25/2017	C.E.
3	Update markings	2/28/2018	C.E.
	Updated temperatures	7/24/2019	C.E.

NOTES

- 1) All dimensions are in mm unless otherwise noted
- 2) All tolerances are  $\pm 0.3$  mm unless otherwise noted
- 3) All parts meet RoHS
- 4) Subject to change or redrawn without notice