

## Data Sheet

AS06606SR-R

More than ever before, high quality audio is the determining factor that distinguishes your product from the fray. When the sound quality of your product is on the line, choose **High Fidelity** speakers from PUI Audio.

The **AS06606SR-R** is a small, high-output, silk dome tweeter designed for frequencies above 2 kHz, allowing it to be used for siren applications and can also be used in combination with other speakers for high fidelity applications.

### Features:

- Silk dome diaphragm
- 30W max power handling (with 18 dB/octave 2 kHz high-pass filter)
- High-energy shielded motor design with large heatsink
- Capable of over 100 dB of output at 1 meter
- Three screw-hole mounting flange with waveguide
- Amplifier-friendly 6 ohm impedance

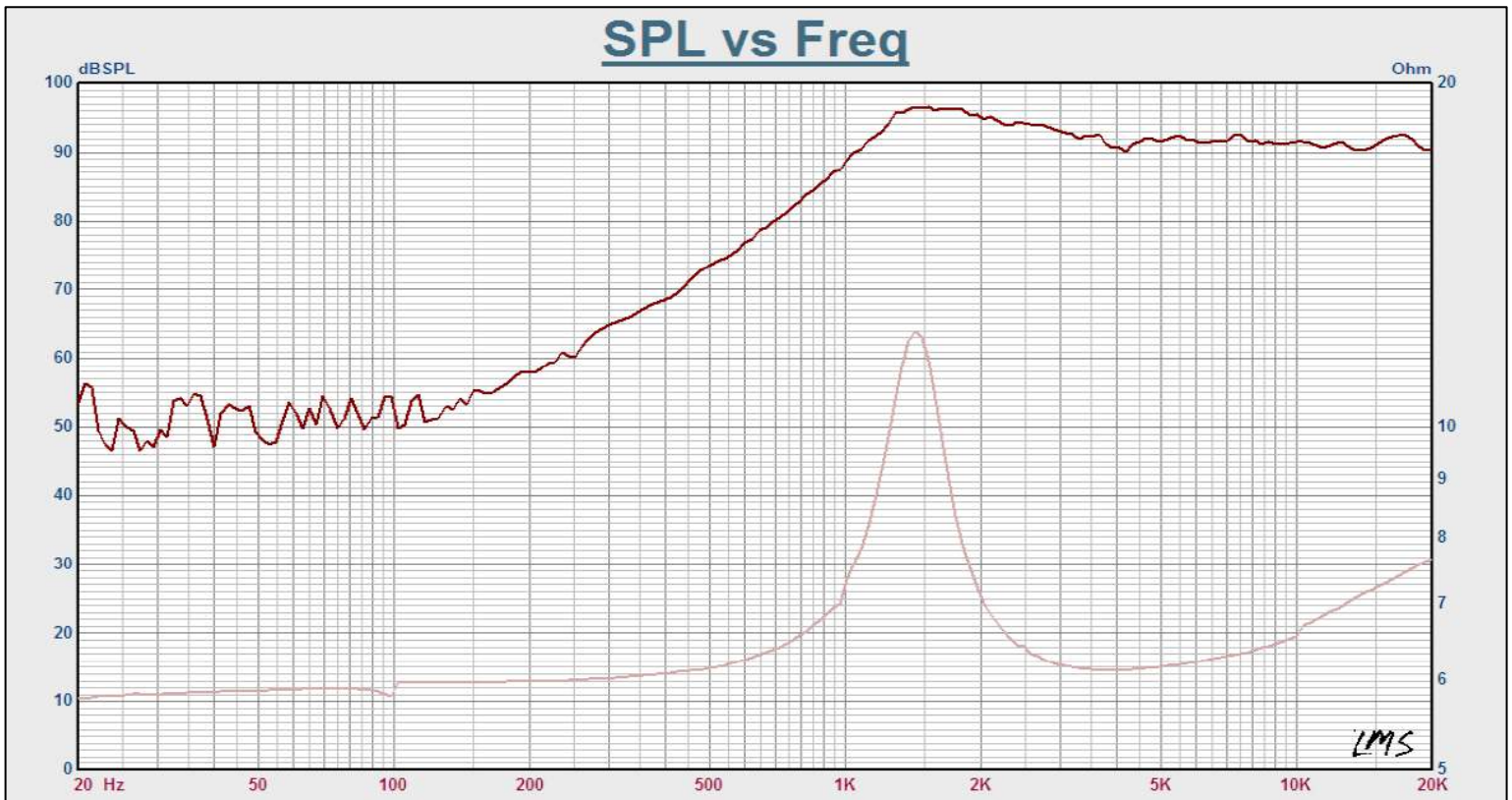
### Specifications

Parameters	Values	Units
Rated Input Power	15	Watts
Max Input Power	30	Watts
Impedance	6 ± 15%	Ohms
Sensitivity (SPL @ 1W/1m) Average 3, 5, 10, 15 kHz	90 ± 3	dB
Resonant Frequency	1,800± 20%	Hz
Frequency Range	1,500 ~ 20,000	Hz
Frame Material	ABS	-
Magnet Material	NdFeB	-
Weight	63	Grams

## Specifications (continued)

Buzz, Rattle, etc.	Should not be audible with 6.7V sine wave from 1.5 kHz to 20 kHz with series 3.3μF non-polarized capacitor	-
Polarity	When positive voltage is applied to the positive terminal, the diaphragm will move outward	-
Operating Temperature	-10 ~ +60	°C

## Frequency and Impedance Response (IEC baffle with 2.45V input and microphone spaced at 1m)

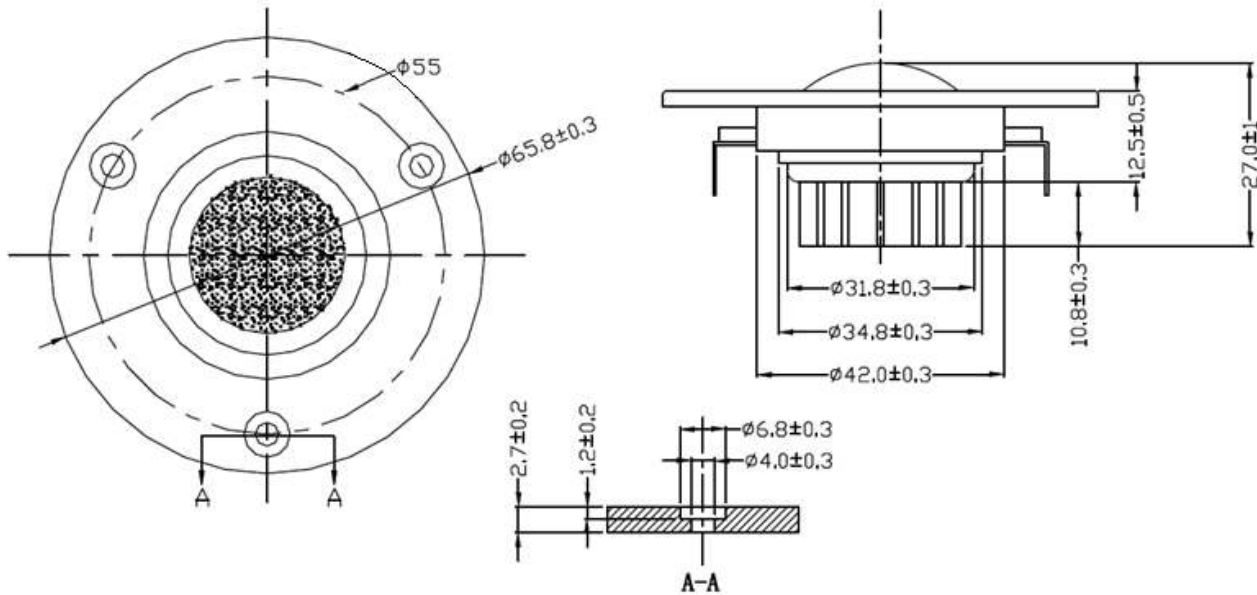


## Reliability Testing

Type of Test	Test Specifications
High Temperature Test	48 hours at +60°C ± 2°C followed by three hours in normal room temperature
Low Temperature Test	48 hours at -10°C ± 2°C followed by three hours in normal room temperature
Humidity Test	48 hours at +40°C ± 3°C with relative humidity at 90%~95% followed by 6 hours in normal room temperature
Drop Test	600mm ±25mm at 60°±5°
Load Test	9.84V white noise signal applied for 48 hours with a series 3.3µF non-polarized capacitor

After each test, the speaker's SPL shall be ±3 dB of the original SPL

## Dimensions (Larger terminal is positive)



**Specifications Revisions**

<b>Revision</b>	<b>Description</b>	<b>Date</b>
-	Released from Engineering	5/11/2018

**Note:**

1. Unless otherwise specified:
  - A. All dimensions are in millimeters.
  - B. Default tolerances are  $\pm 0.5\text{mm}$  and angles are  $\pm 3^\circ$ .
2. Specifications subject to change or withdrawal without notice.
3. This part is RoHS 2011/65/EU Compliant.