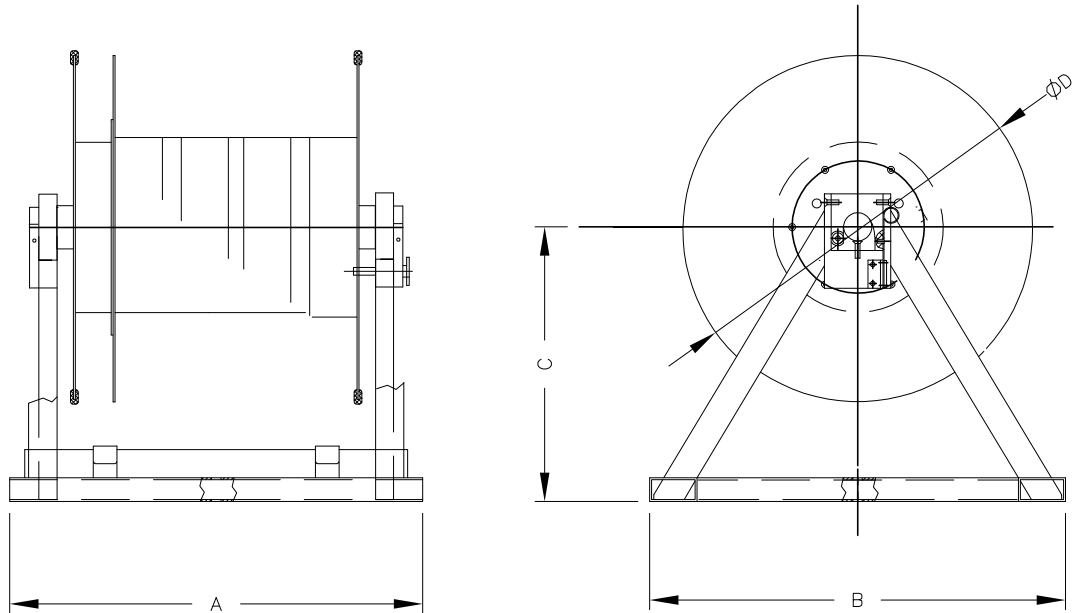


LOC	DIST	REVISIONS					
CE	16	P	LTR	DESCRIPTION	DATE	DWN	APVD
			A1	ADD NOTE 5; APPROX WT COL	04JAN10	KG	JB



TE P/N	A	B	C	MAX REEL DIA D	APPROXIMATE WEIGHT (kg)
1754517-1	437.0	440.0	290.0	500.0	3.60
1754517-2	600.0	600.0	406.5	700.0	5.60

1. DIMENSIONS ARE FOR REFERENCE ONLY.

2 MATERIAL: ALUMINUM 6061-76.

3 FINISH: POLYESTER EPOXY, COLOR RAL 6006.

4. REEL NOT INCLUDED WITH FRAME.

5. INCLUDED COMPONENTS: STATIC FRAME, FOLDING CRANK HANDLE, UTILITY POUCH AND APPROPRIATELY SIZED CARRYING HANDLE.

RELEASED FOR PUBLICATION

ALL RIGHTS RESERVED.

BY TYCO ELECTRONICS CORPORATION.

THIS DRAWING IS UNPUBLISHED.

DIMENSIONS: mm	DWN K. GLATFELTER 23MAR2005	MATERIAL	2 -	FINISH	3 -
	CHK J. SHIPE 10MAY2005	Tyco Electronics Corporation Harrisburg, Pa 17105-3608			
TOLERANCES UNLESS OTHERWISE SPECIFIED:	APVD D. BAECHTLE 10MAY2005	NAME	STATIC FRAME CABLE REEL		
	PRODUCT SPEC	SIZE	CAGE CODE	DRAWING NO	RESTRICTED TO
0 PLC ± -	APPLICATION SPEC	A4	00779	C-1754517	-
1 PLC ± -	WEIGHT	CUSTOMER DRAWING			SCALE
2 PLC ± -					NTS
3 PLC ± -					SHEET
4 PLC ± -					1 OF 1
ANGLES ± -					REV
					A1