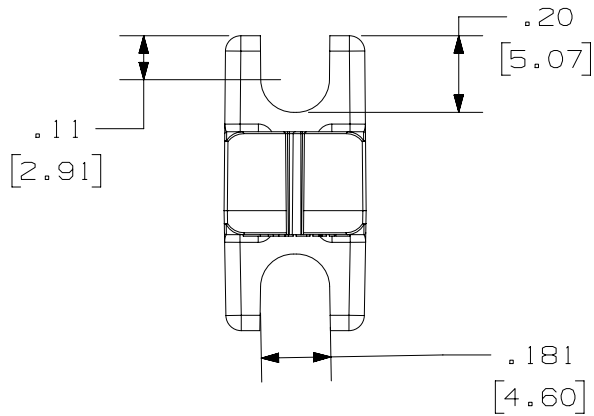
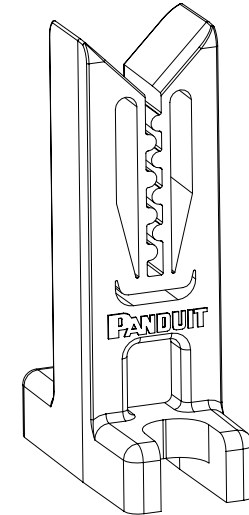
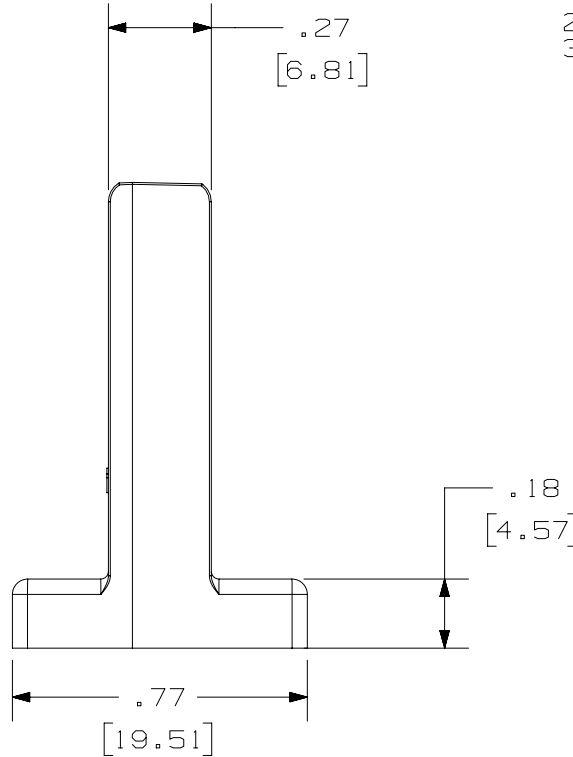
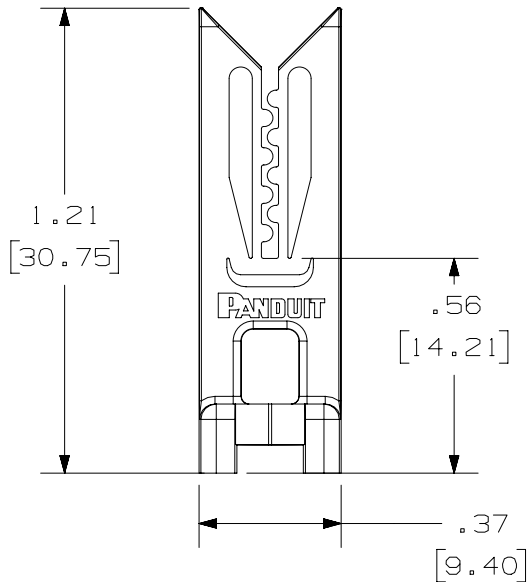


THIS COPY IS PROVIDED ON A RESTRICTED BASIS AND IS NOT TO BE USED IN ANY WAY DETRIMENTAL TO THE INTERESTS OF PANDUIT CORP.



PANDUIT PART NUMBER #	WEIGHT lbs/100 pcs (g)/100 pcs	RANGE OF WIRE SIZES	REC'M FASTENER
WEH-E8-*	.59 (267)	16 TO 28 A.W.G.	#8 (M4) SCREW

- NOTES:
- SEE CURRENT PRICE SHEET FOR PART NUMBER SUFFIX DESIGNATION FOR PACKAGE SIZE.
 - COLOR: BLACK
 - DIMENSIONS IN [] ARE METRIC.



REV	DATE	BY	CHK	APR	DESCRIPTION	ECN
2	11/5/18	BMAG	DJW	JHAC	DRAWING TEMPLATE UPDATED. UPDATED MODEL	GAECN04719
1	10/12/04	JAD			.77 DIMENSIONS WAS .79	GB0239ET
R	1/20/97	CGSM			INITIAL RELEASE	GB0239ET

TITLE WEH-E8-*					
CUSTOMER DRAWING					
ITEM REVISION NAME G01204LY/04			PANDUIT		
DATASET FILE NAME GB0239ET					
UNLESS OTHERWISE SPECIFIED, DIMENSIONAL TOLERANCES ARE: IN (mm)			MATERIAL: NYLON		
.x ± .05 [1.3]		.xxx ± .01 [0.25]		DRAWING NUMBER: GB0239ET	
.xx ± .02 [0.5]		ANGLES ± 5°		THIRD ANGLE PROJECTION	
DRAWN BY CGSM	DATE 01/20/97	CHK	SCALE 2:1	SHT 1 OF 1	SIZE A

N\GLOBAL_AS\SIZE