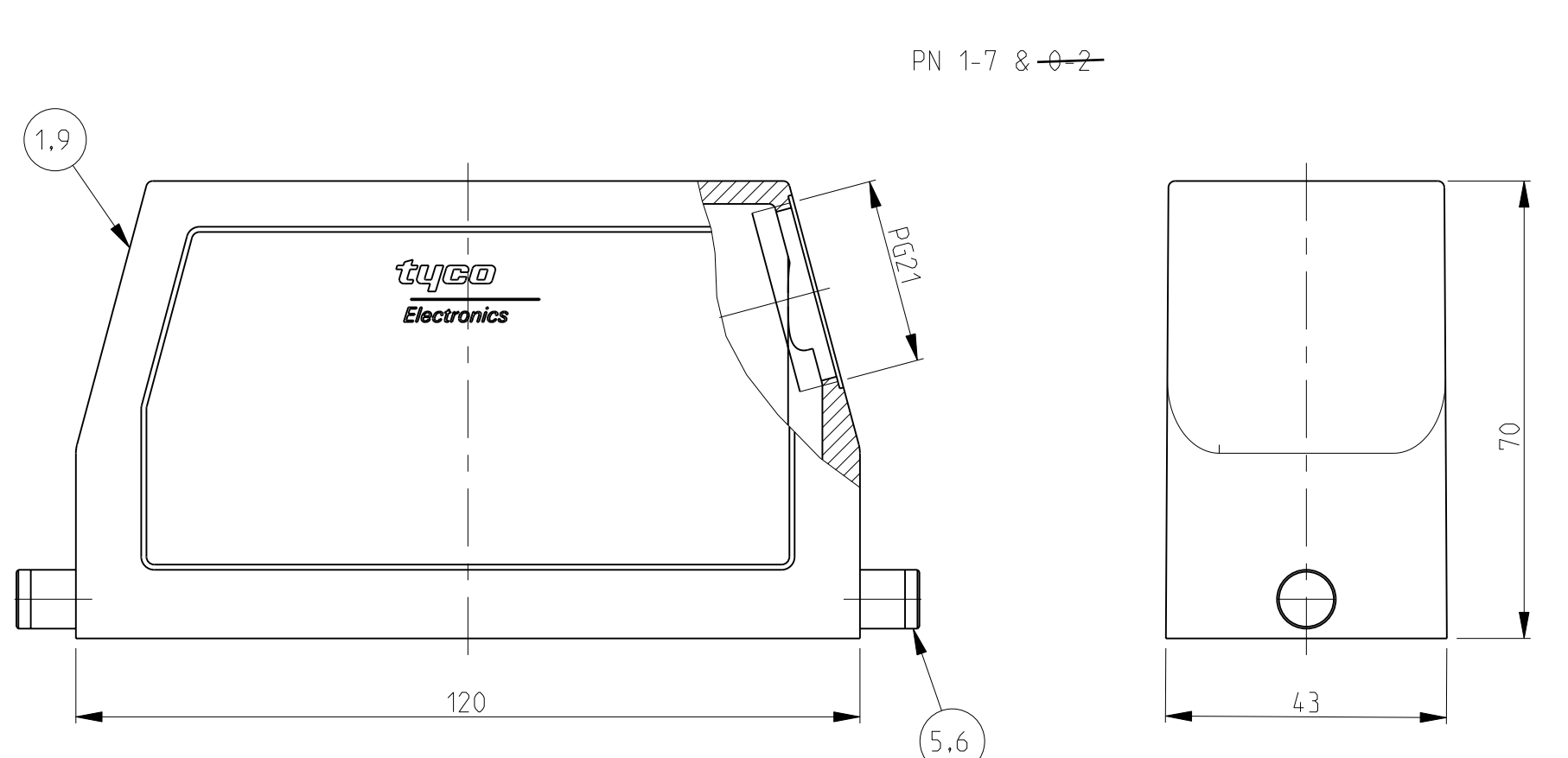
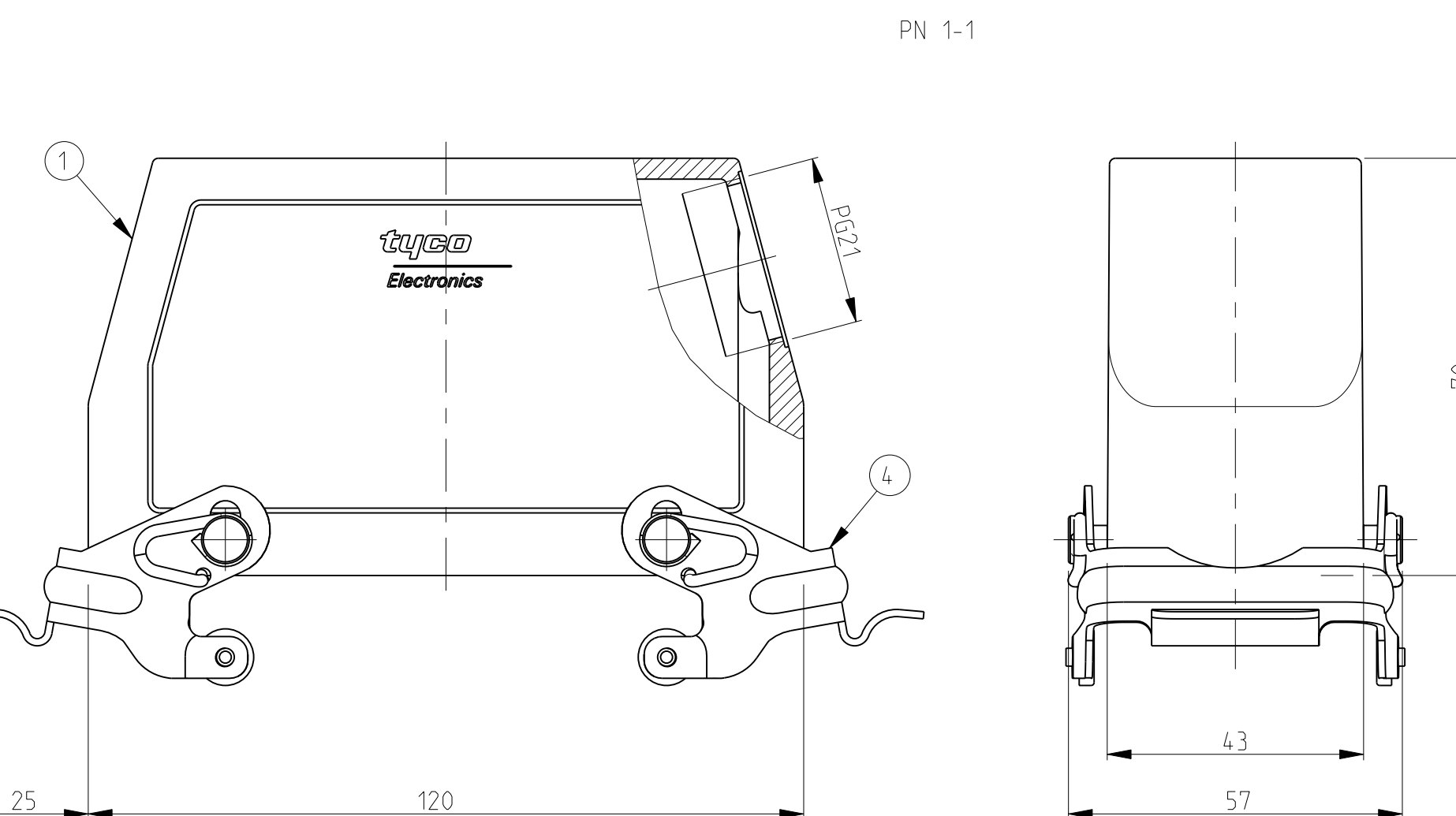
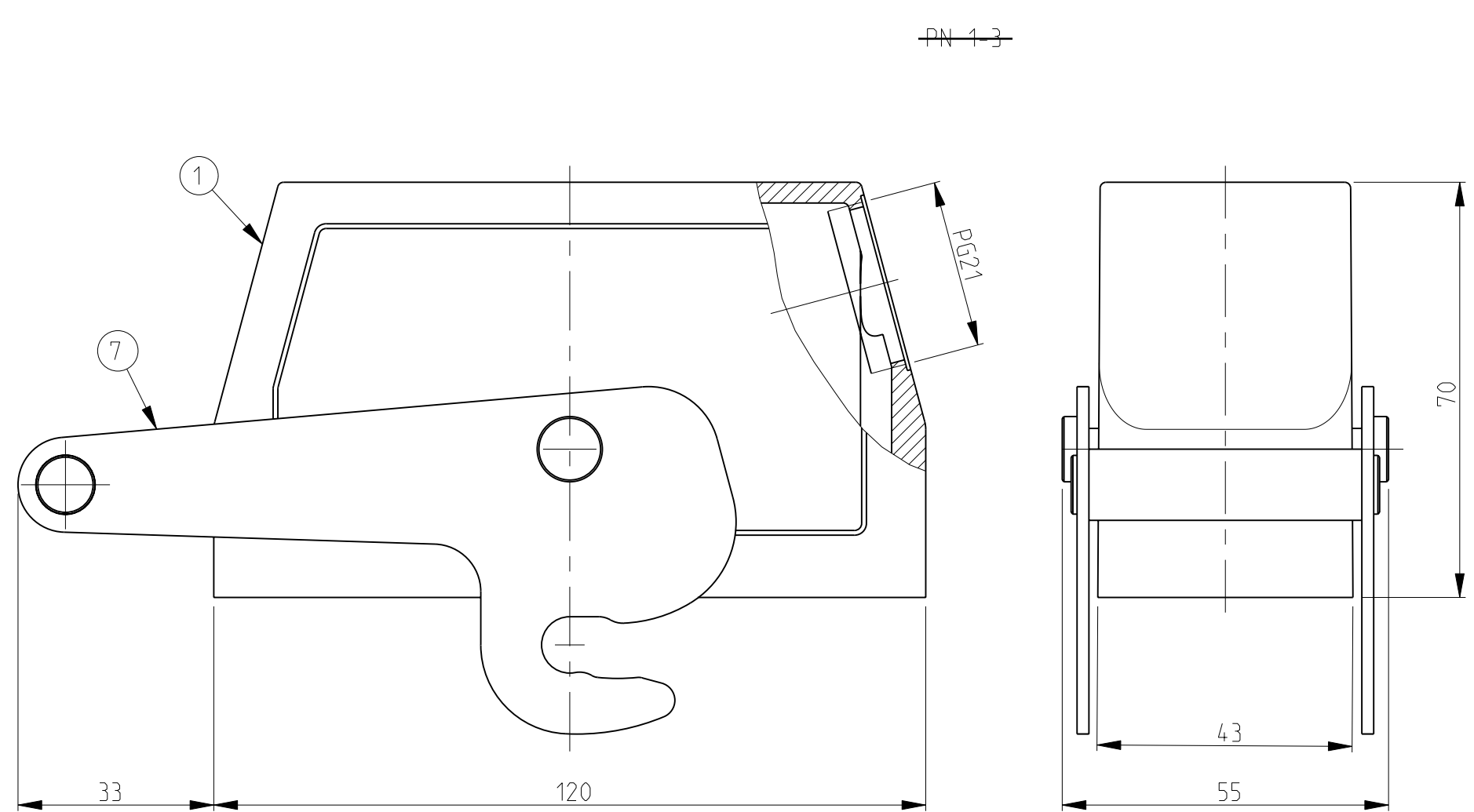
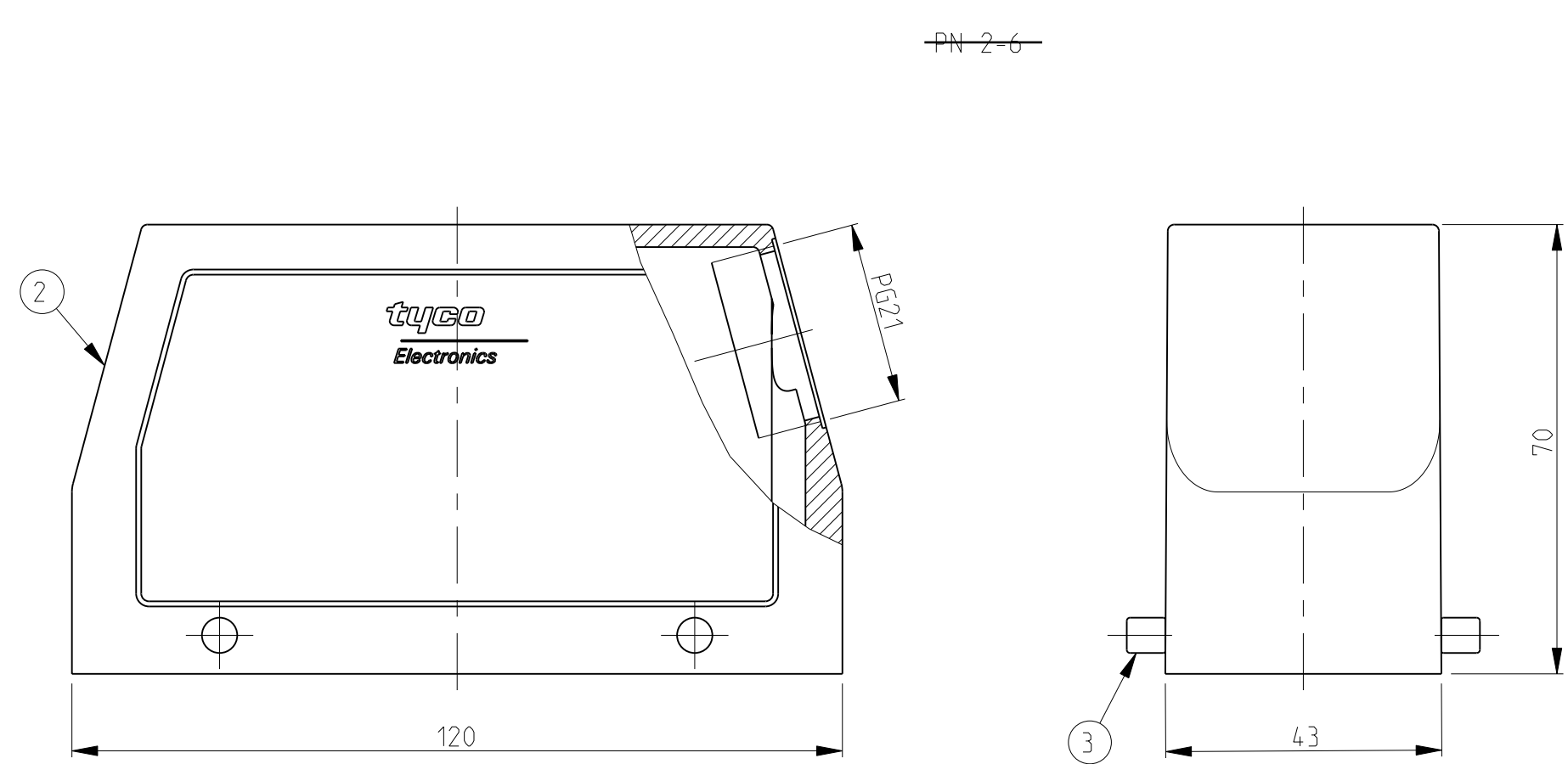
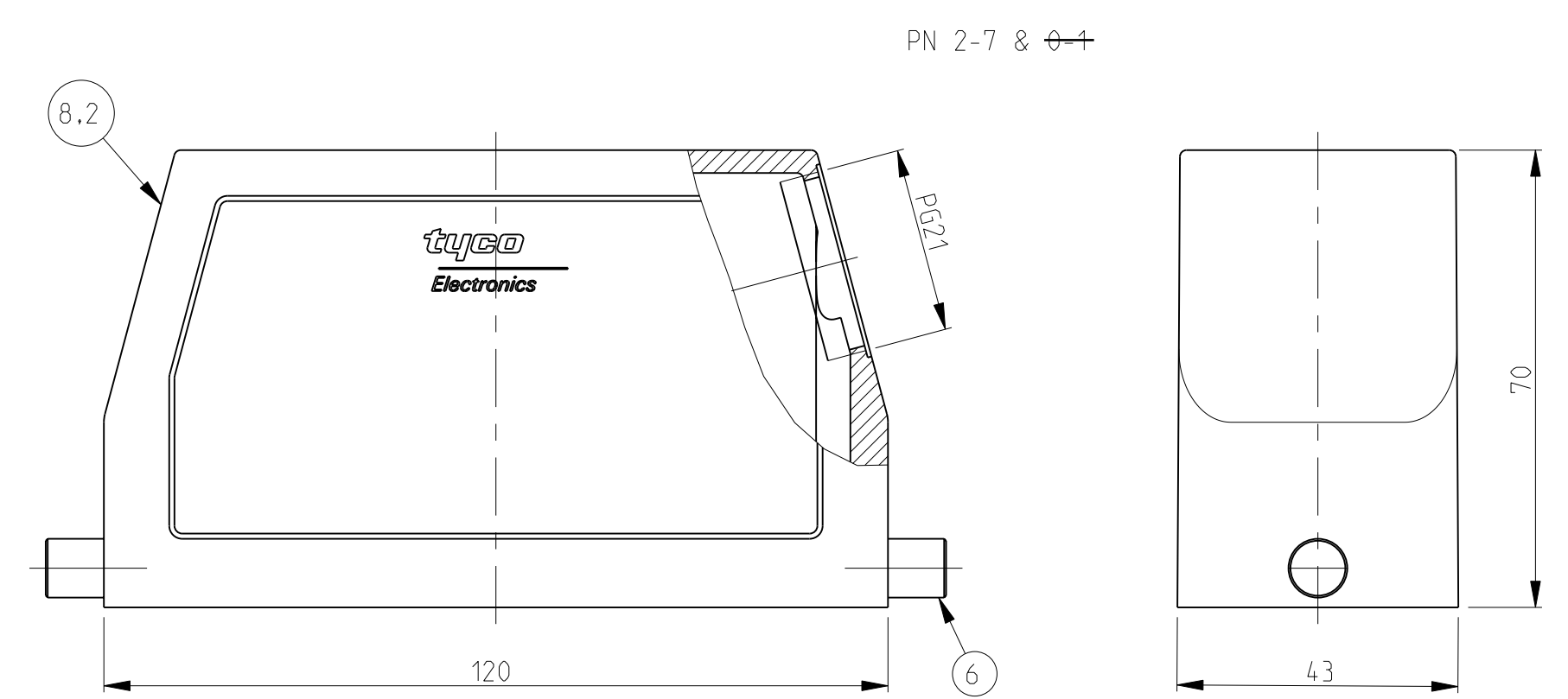
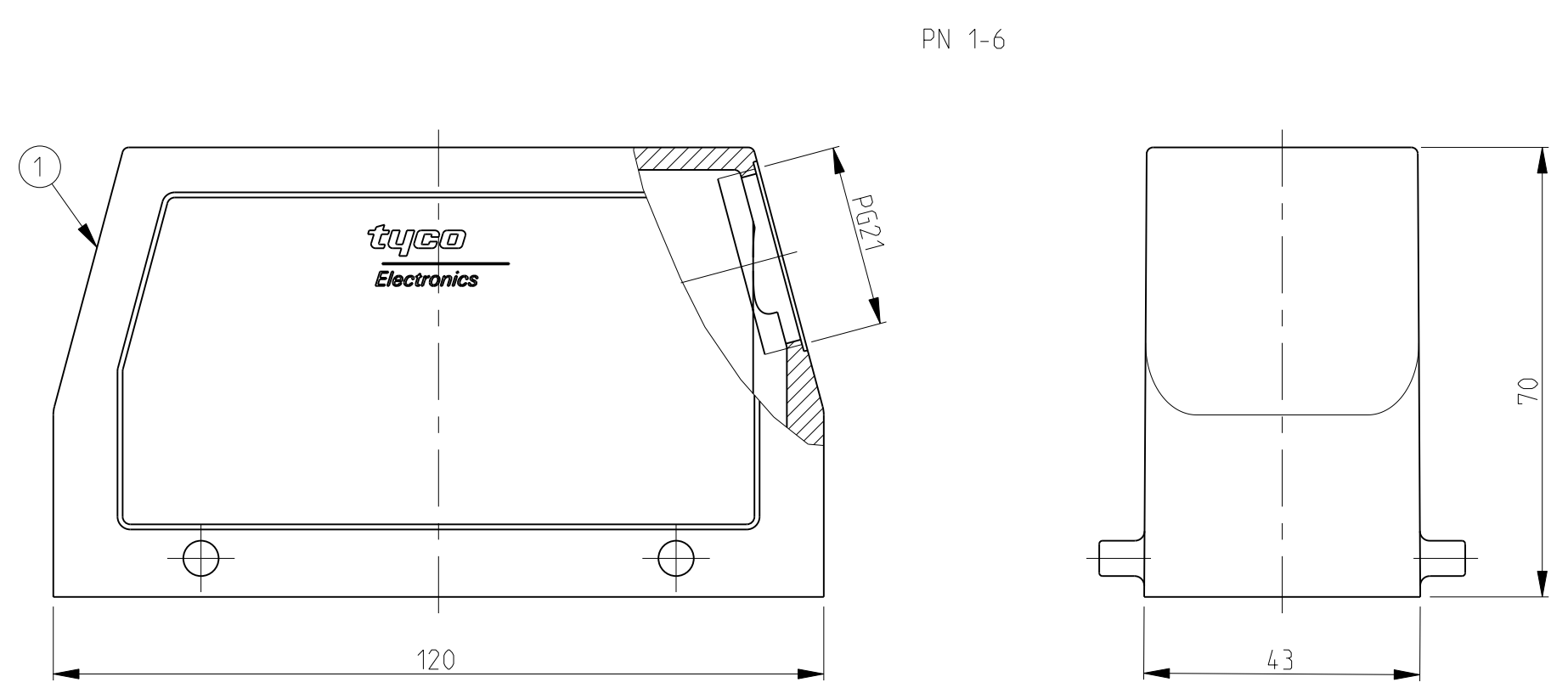
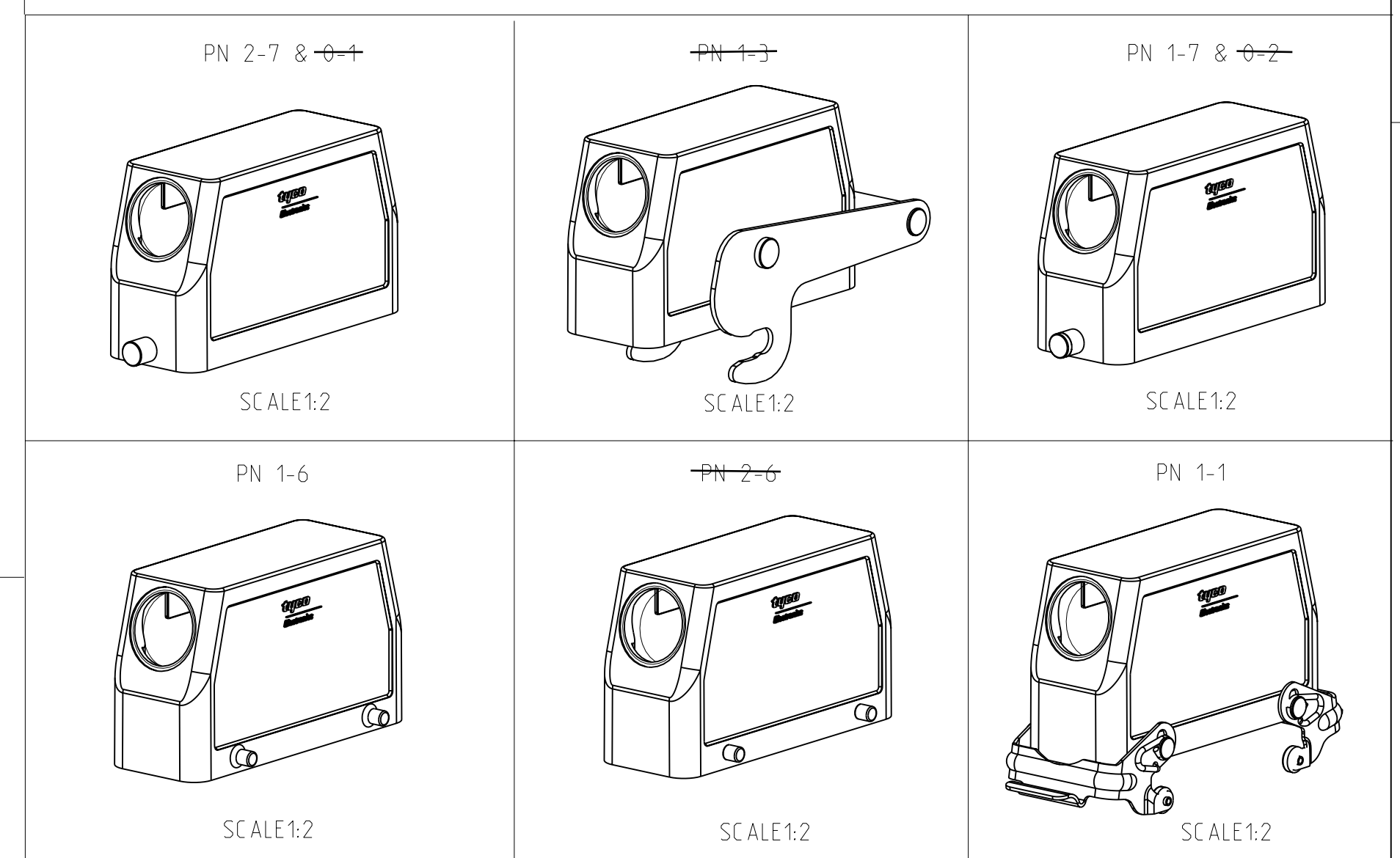


LOC	DIST	REVISIONS					
A	-	P	LTR	DESCRIPTION	DATE	DWN	APVD
		A7		ECR-22-162106	13JAN2023	RK	JB



- NOTES.
- 1 Material:Housing:Aluminium Diecasting Alloy
 - 2 Surface:Varnish grey
-Aluminium oxide-
Varnish black
 - 3 Varnish on the inside not necessary
 - 4 Packaging
Quantity 5 Pieces in a box
- 5** OBSOLETE



QTY	DESCRIPTION	MATERIAL	SURFACE	COLOR	ITEM NO	REMARKS
1	Hood HB	Aluminium	-	Grey	9	Neutral
1	Hood HB-K	Aluminium	Aluminium oxide	Aluminium-colored	8	Special lacquer finish
1	ZB-Central clip	Steel	Zinc plated	Blue	7	
2	LB-Clip bolt	Stainless steel	Blank	-	6	
2	LB-Clip bolt	Steel	Zinc plated	Blue	5	
2	VS-Side clip	Steel	Zinc plated	Blue	4	
4	VS-Clip bolt	Stainless steel	Blank	-	3	
1	HB-K Hood	Aluminium	Aluminium oxide	Black	2	
1	HB Hood	Aluminium	-	Grey	1	

ORDERING TEXT

HB.24.STS.1.21.G
 HB-K.24.STS.1.21.G
 HB.24.STS-VS.1.21.G
 HB.24.STS-GR.1.21.G
 HB-K.24.STS-GR.1.21.G
 HB-Z.24.STS-ZB.1.21.G
 HB-K.24.STS-ZB.1.21.G
 HB.24.STS-GR.1.21.G

DIMENSIONS:	TOLERANCES UNLESS OTHERWISE SPECIFIED:	DWN	Schneider	05.06.00	
mm	0.100 mm	CHK	Schweiger	05.06.00	
MATERIAL:	FINISH:	APVD			NAME
					Hood
					HB.24.STS.1.21.G
					SIZE
					CAGE CODE
					DRAWING NO
					RESTRICTED TO
					A 00779 C=1102316
					CUSTOMER DRAWING
					SCALE 1:1 SHEET 1 OF 1 REV A7