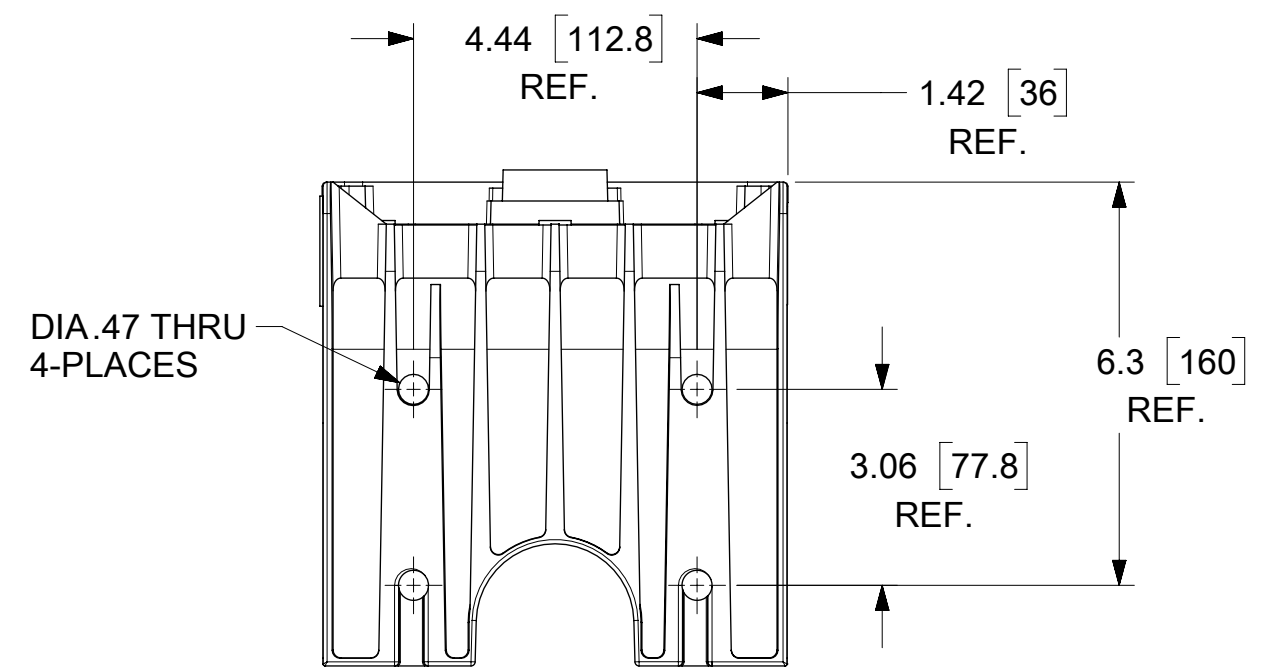
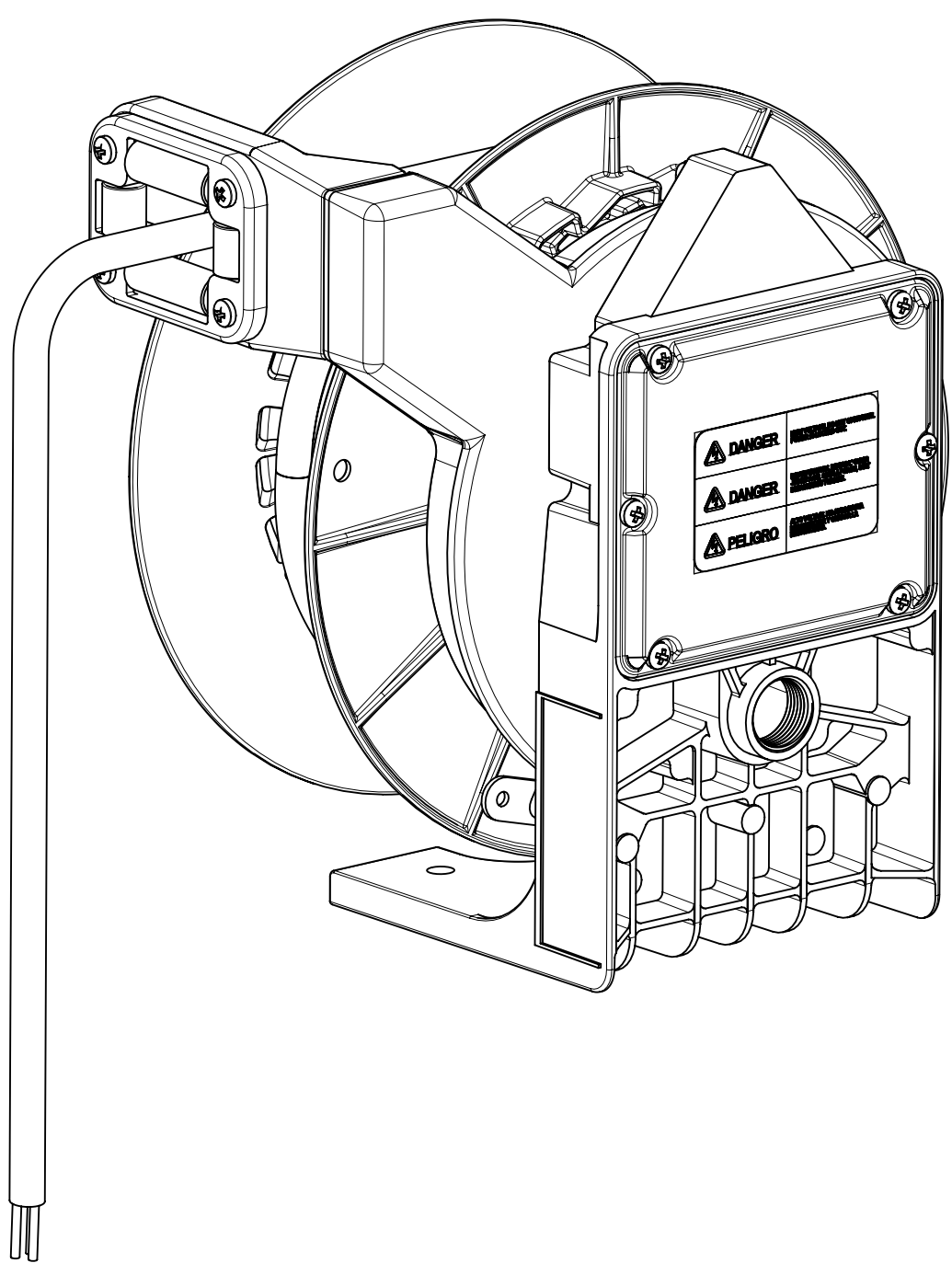
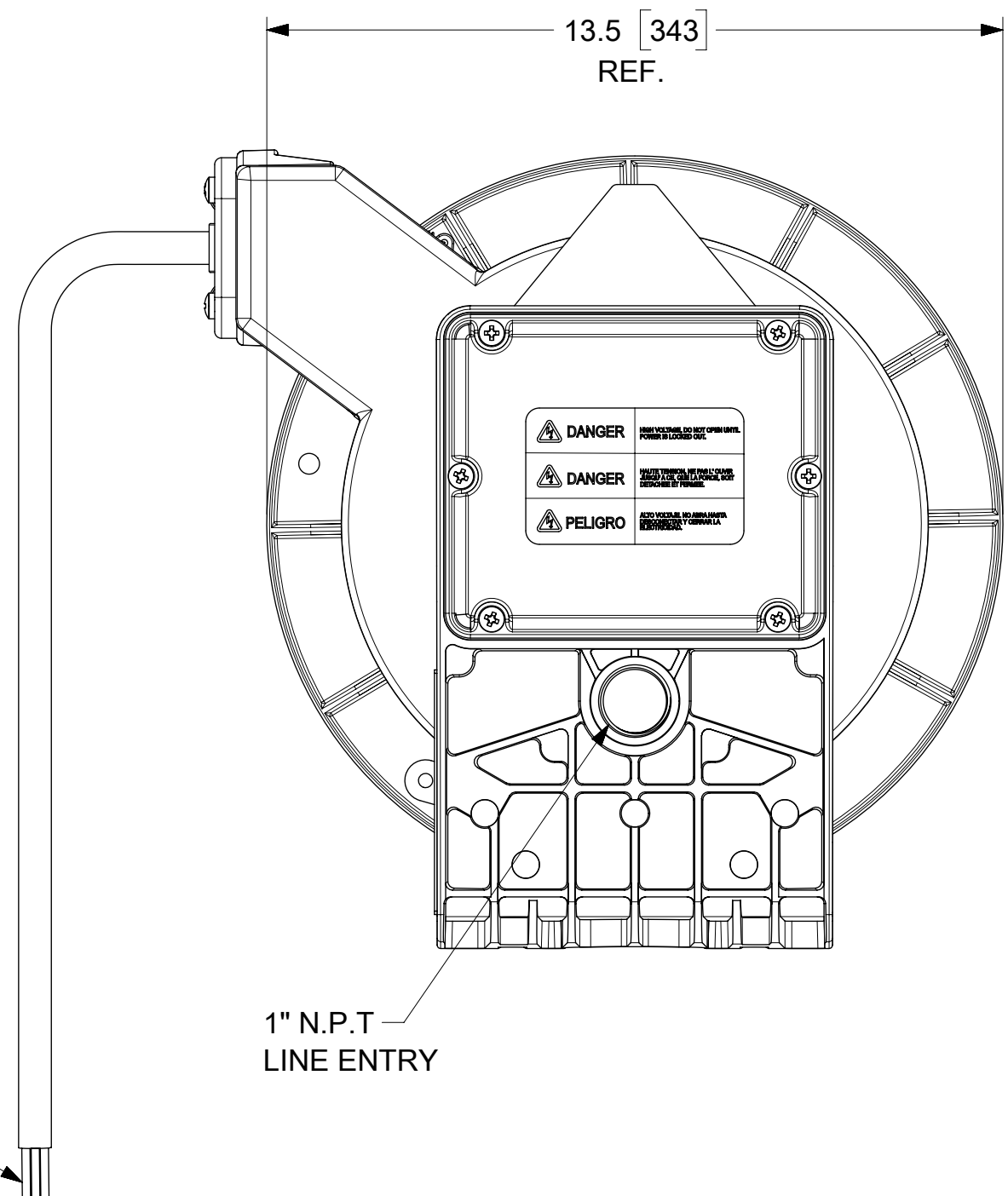
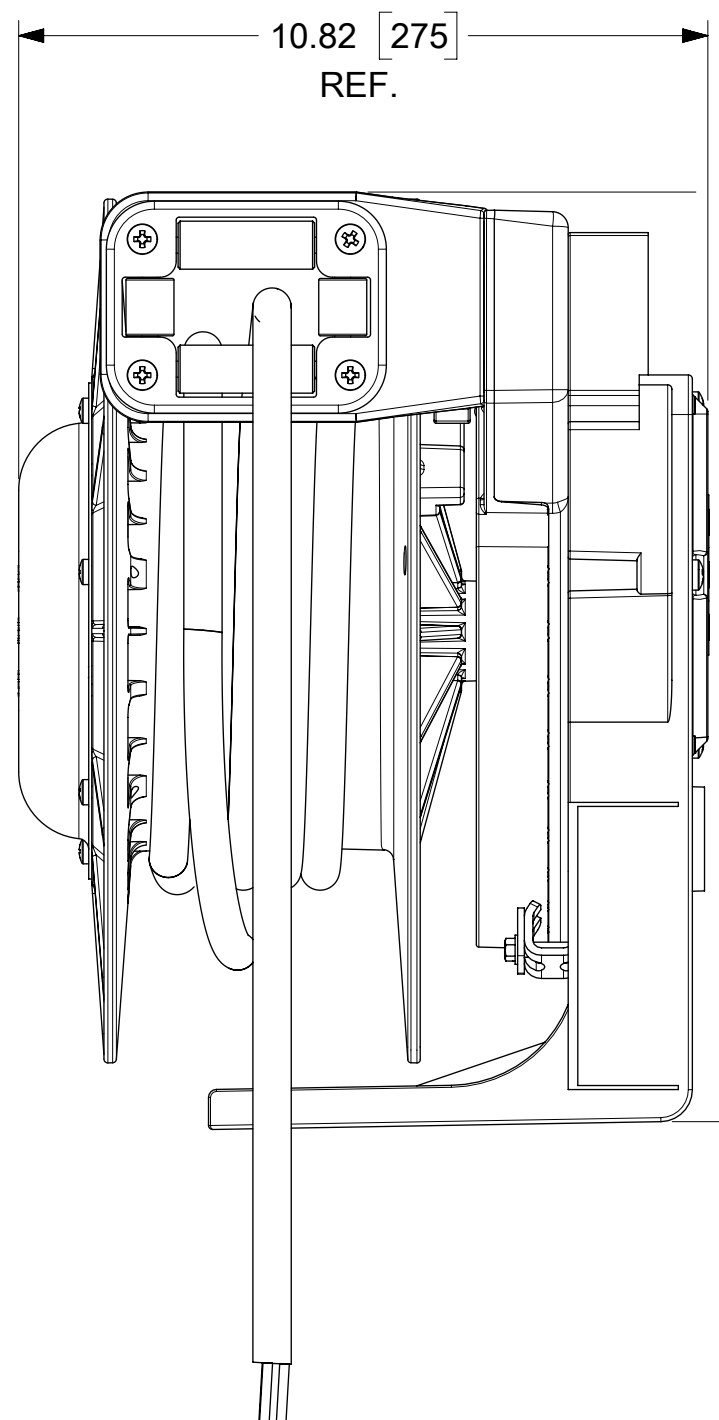


ORDER NO	130083-0239
WOODHEAD ENG. NO	92481
WIRE GAUGE	16
CONDUCTORS	8
AMPERAGE	6A
WORKING CORD	50 FT. BLACK
CORD TYPE	SOW
CONSTRUCTION	HEAVY WALL CAST ALUMINUM
PAINT	YELLOW POWDER COAT
REEL ENCLOSURE RATING	NEMA 4 INDOOR / OUTDOOR
RETRACTION WEIGHT	4.0 LB [1.8 KG]



**BOTTOM VIEW**

- NOTES:**
1. CABLE GUIDE IS ADJUSTABLE EVERY 5 DEGREES OVER 270 DEGREE ARC.
  2. RATCHET LOCK IS EASY TO DISENGAGE FOR CONSTANT TENSION.
  3. REEL CANNOT BE "LOCKED OUT" AT FULL EXTENSION.

FUNCTIONAL SYMBOLS	THIS DRAWING CONTAINS INFORMATION THAT IS PROPRIETARY TO MOLEX ELECTRONIC TECHNOLOGIES, LLC AND SHOULD NOT BE USED WITHOUT WRITTEN PERMISSION			
	DIMENSION UNITS	SCALE		CURRENT REV DESC: RELEASE CUSTOMER DRAWING
$\frac{F}{A} = 0$	INCH/MM	NTS		<p><b>molex</b></p> <p>CABLE REEL - INDUSTRIAL DUTY 50' #16-8 SOOW</p> <p>PRODUCT CUSTOMER DRAWING</p> <p>DOCUMENT NUMBER: 1300830239   DOC TYPE: PSD   DOC PART: 000   REVISION: A</p> <p>EC NO: 674250   DRWN: VHANDI   2020/07/17</p> <p>CHK'D: DSOPPIN   2022/05/11</p> <p>APPR: HKNEELAND   2022/05/13</p> <p>INITIAL REVISION: DRWN: VHANDI   2020/07/17</p> <p>APPR: HKNEELAND   2022/05/13</p> <p>THIRD ANGLE PROJECTION</p>
GENERAL TOLERANCES (UNLESS SPECIFIED)	MM	INCH		
$\frac{F}{C} = 0$	4 PLACES	±	±	
$\frac{F}{D} = 0$	3 PLACES	±	± 0.005	
DIVISIONAL SYMBOLS	2 PLACES	± 0.13	± 0.01	
	1 PLACE	± 0.25	± 0.02	
	0 PLACES	±	±	
	ANGULAR TOL	± 0.5°		
DRAFT WHERE APPLICABLE MUST REMAIN WITHIN DIMENSIONS	C-SIZE		SHEET NUMBER: 1 OF 1	