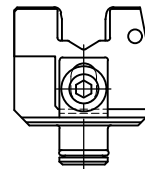
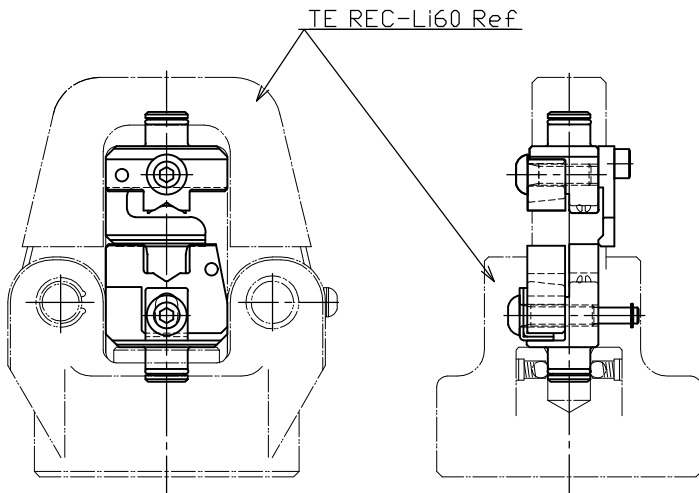


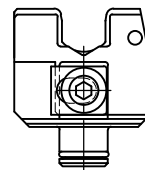
REVISIONS

| P | LTR | DESCRIPTION | DATE | DWN | APVD |
|---|-----|--|-----------|-----|------|
| | A3 | ECR-19-016281 Remove note Restrict sales | 23OCT2019 | S.N | J.S |

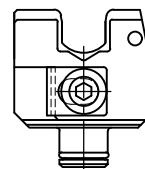
| PART NUMBER | WIRE RANGE | TERMINAL | REMARKS |
|-------------|------------|----------|-------------|
| 2155401-1 | AWG 12-10 | PIDG | TE REC-Li60 |



POSITION 1

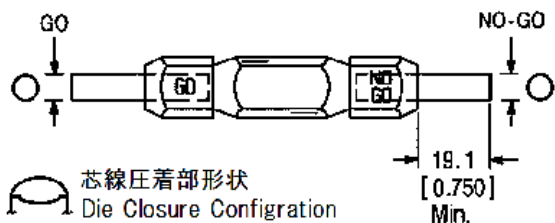


POSITION 2



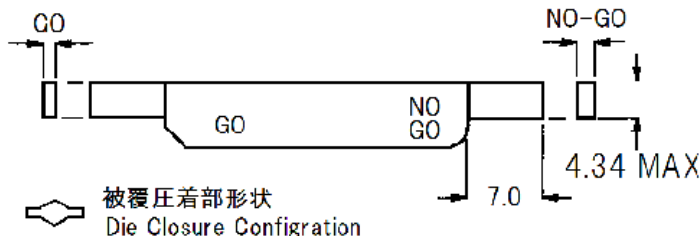
POSITION 3

芯線圧着部ゲージ寸法
Wire Barrel Crimp Section



| ゲージ寸法 GAGE ELEMENT DIM. | |
|-------------------------|-------------|
| GO | NO-GO |
| 4.293-4.300 | 4.442-4.445 |

被覆圧着部ゲージ寸法
Insulation Barrel Crimp Section



| ゲージ寸法 GAGE ELEMENT DIM. | |
|-------------------------|-------------|
| GO | NO-GO |
| 1.626-1.633 | 2.131-2.134 |

RELEASED FOR PUBLICATION
 ALL RIGHTS RESERVED.
 DRG 47808-6 Rev E2, DRG 408-1632 Rev C
 THIS DRAWING IS UNPUBLISHED.
 COPYRIGHT © By Tyco Electronics Japan G.K.

DIMENSIONS:
mm

DWN S.NAKA 22MAY2013

MATERIAL COMMERCIAL ITEM

FINISH -

TOLERANCES UNLESS OTHERWISE SPECIFIED:

CHK S.NAKA 22MAY2013

APVD J.KOGA 22MAY2013



TE Connectivity Ltd.

PRODUCT SPEC

NAME

DIES, TE REC-Li60, PIDG AWG 12-10

APPLICATION SPEC

SIZE

CAGE CODE

DRAWING NO

RESTRICTED TO

WEIGHT 65g

A4

00779

2155401

-

CUSTOMER DRAWING

SCALE -

SHEET

1 OF 1

REV A3