



LED Linear High Bays

Ultimate Series



Ultimate Series

Beyond LED Technology's Ultimate Series Linear High Bay is engineered for premium performance. Precision-form enhanced with a white reflector, it is designed to achieve maximum light output for ceilings, up to 40'. It replaces fluorescent and traditional HID high bays while using up to 50% less energy. Surface, pendant, chain, or stem mounting systems are available. It's ideally suited for warehouses, manufacturing plants, sports facilities and retail spaces.

- Up to 140 lumens per watt
- Various installation methods: Suspending Mount, Ceiling Mount & Free parallel combination
- Universal 120-277Vac / 480Vac optional
- Vented Aluminum Alloy housing provides thermal management, extending the life of the LEDs
- High power factor
- Light distributed in a 120-degree beam angle
- Chains included for installation
- DLC Premium

Ultimate Series

Ultimate Series

SKU #	Model #	Watts	Lumens	CCT	Size	Input Voltage	Certifications
151208	BLT-PHB05-300WBFP3C2-a50	300W	42000Lm	5000K	3ft	120-277Vac	UL & DLC Premium

Specifications

CCT	5000K
POWER FACTOR	≥0.9
VIEWING ANGLE	100°
INPUT VOLTAGE	120 - 277Vac, 50/60Hz
THD	≤20%

Fixture Specifications

LED TYPE	SMD2835 (0.5W)
HOUSING	Aluminum
HOUSING COLOR	White
WATERPROOF RATING	Damp

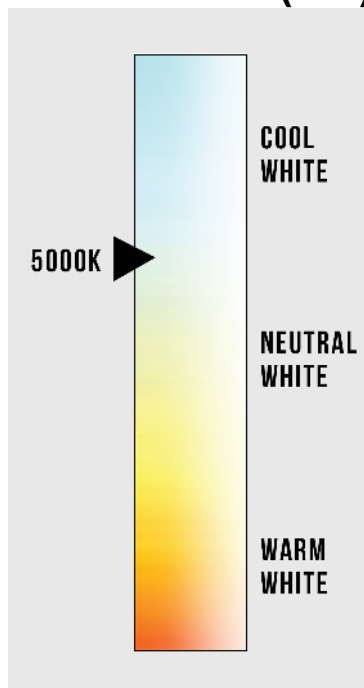
Others

OPERATING TEMPERATURE	APPLICATION	CRI	DIMMABLE
-40°F TO 122°F	Indoor	>80	No

Warranty & Qualification

WARRANTY	UL LISTED	DLC PREMIUM
5 Year Limited	Yes	Yes

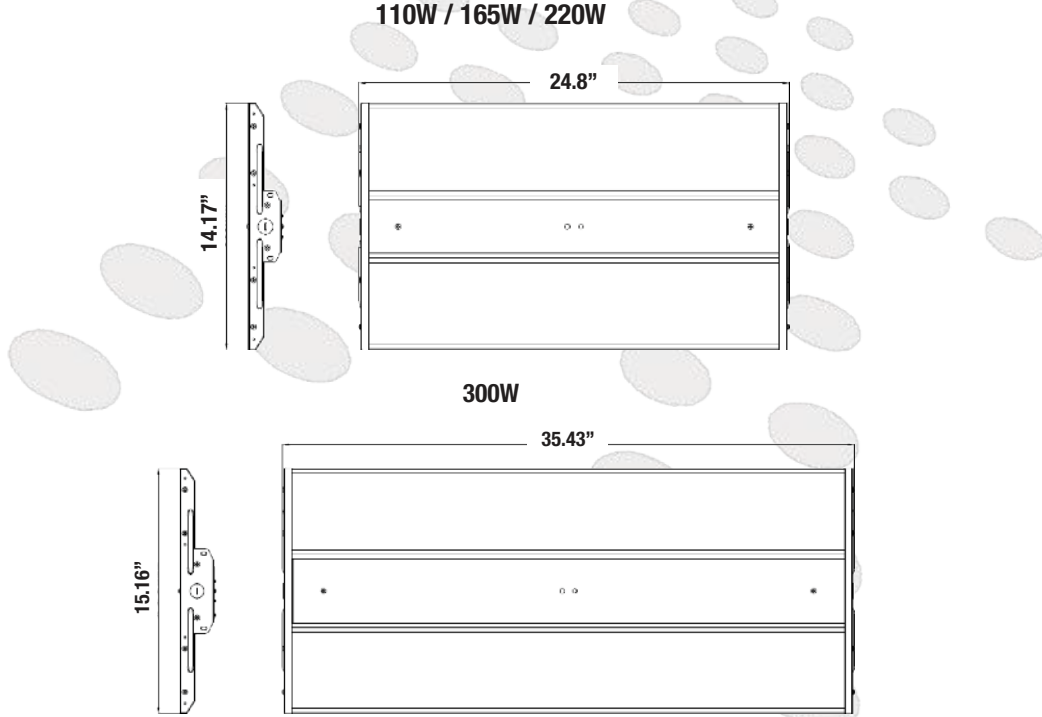
CORRELATED COLOR TEMPERATURE (CCT)



LED Linear High Bays

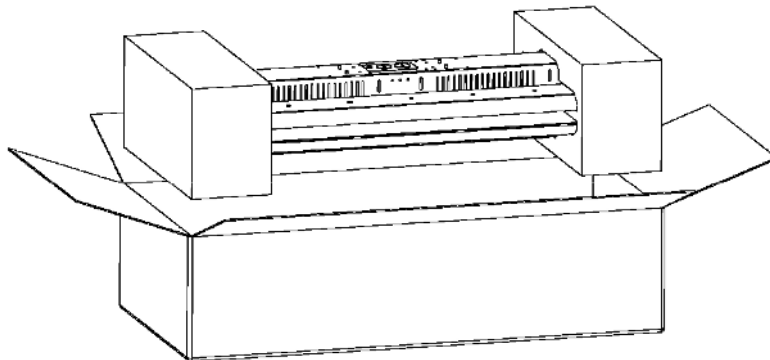
Ultimate Series

Dimensions



110W

	SIZE	QTY / CARTON	NET WEIGHT / CARTON	GROSS WEIGHT / CARTON
Outer box	28.34" x 14.17" x 7.28"	2	7 lbs/PC	18 lbs
Outer box(Sensor)	34.25" x 14.17" x 5.11"	1	7.49 lbs/PC	11 lbs

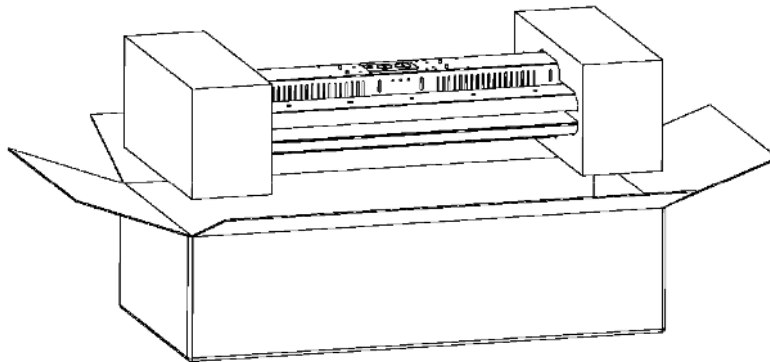


LED Linear High Bays

Ultimate Series

300W

	SIZE	QTY / CARTON	NET WEIGHT / CARTON	GROSS WEIGHT / CARTON
Outer box	39.37" x 18.11" x 4.92"	1	14.33 lbs/PC	18.29 lbs
Outer box(Sensor)	42.12" x 18.11"x 5.31"	1	14.77 lbs/PC	18.95 lbs
Outer box (Backup Drive)	39.37" x 18.11" x 6.88"	1	17.63 lbs/PC	22.03 lbs
Outer box (Backup Drive+Sensor)	42.12" x 18.11"x 7.28"	1	18.29 lbs/PC	22.92 lbs





LED Linear High Bays

Ultimate Series

LIGHT DISTRIBUTION TESTING PARAMETERS

300W

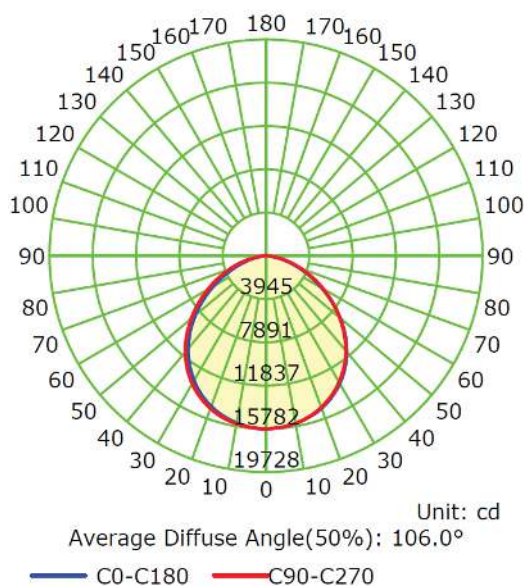
Photometric Results

CIE Class: Direct
 Measurement Flux: 41698.3 lm
 Downward Ratio: 100%
 Horizontal Diffuse Angle(50%): H105
 Vertical Diffuse Angle(50%): V106.9
 Luminaire Efficacy Rating (LER): 138.70
 Max. Intensity: 15782.89 cd
 S/MH(C0/C180): 1.25

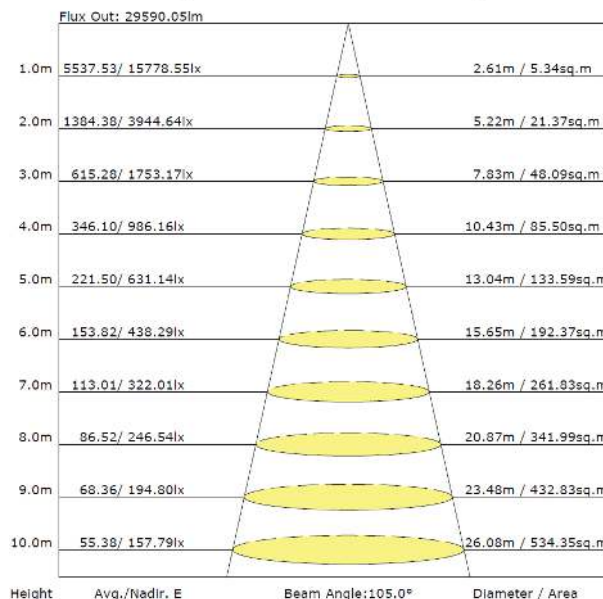
Total Rated Lamp Lumens: 41698.3 lm
 Efficiency: 100%
 Upward Ratio: 0%

Central Intensity: 15778.55 cd
 Pos of Max. Intensity: H292.5 V1
 S/MH(C90/C270): 1.26

Luminous Intensity Distribution Curve



The Average Illuminance Effective Figure



NOTICE FOR USER

- Please turn off power before install or change assembly parts.
- The input voltage and lamps should be matched, after connecting the power line, Please make sure the wiring section is insulated.
- No-professionals, must not install and disassemble the lamps.

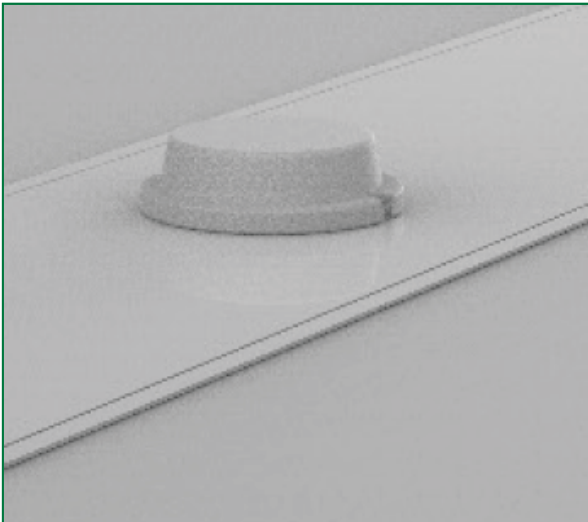
TROUBLE SHOOTINGS

Troubles	Check points
Flickering of the light	Turn off the power and turn on again in 3 minutes. If same phenomena occur, then call agencies.
Out of working	Please check the connection.

LED Linear High Bays

Ultimate Series

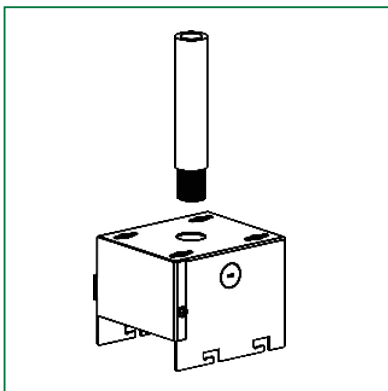
Optional Motion Sensor



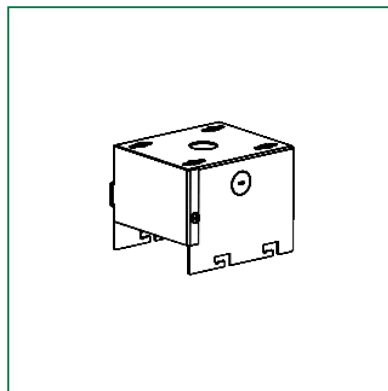
Optional Emergency Driver



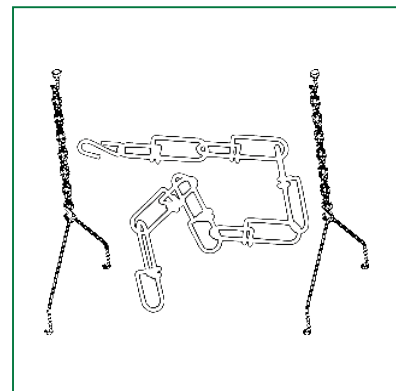
Pendant



Surface



Chain/Suspension





LED Linear High Bays

Ultimate Series

Application Images



INDOOR: LED LINEAR HIGH BAYS