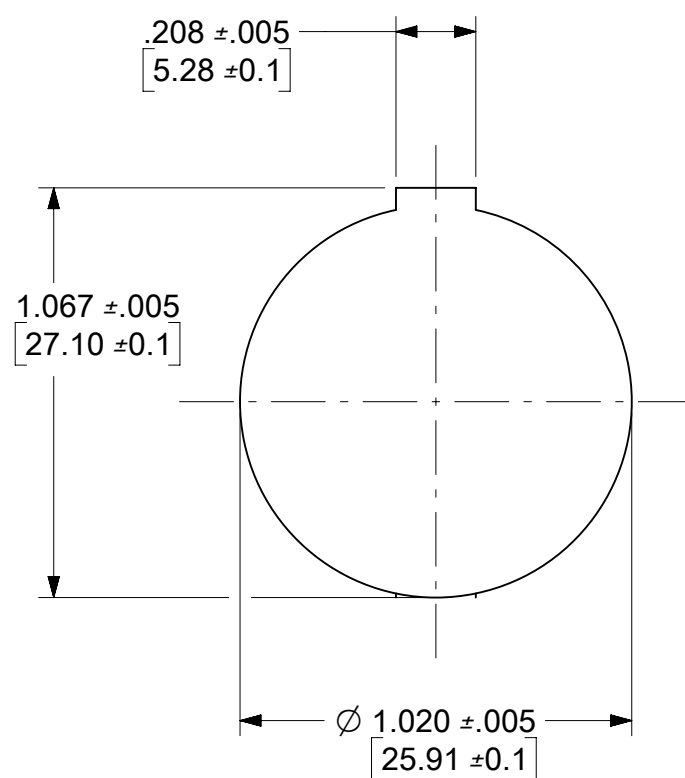
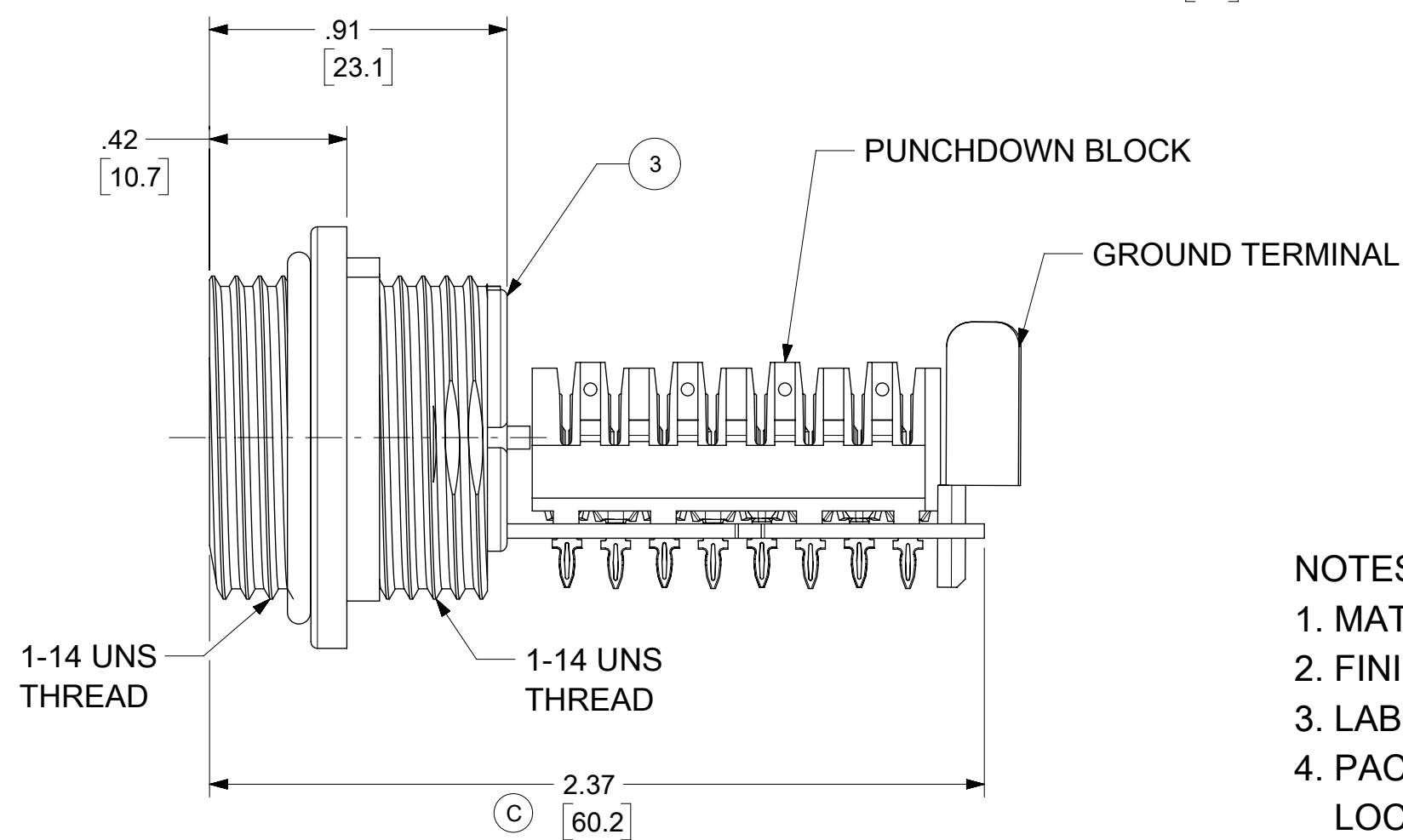
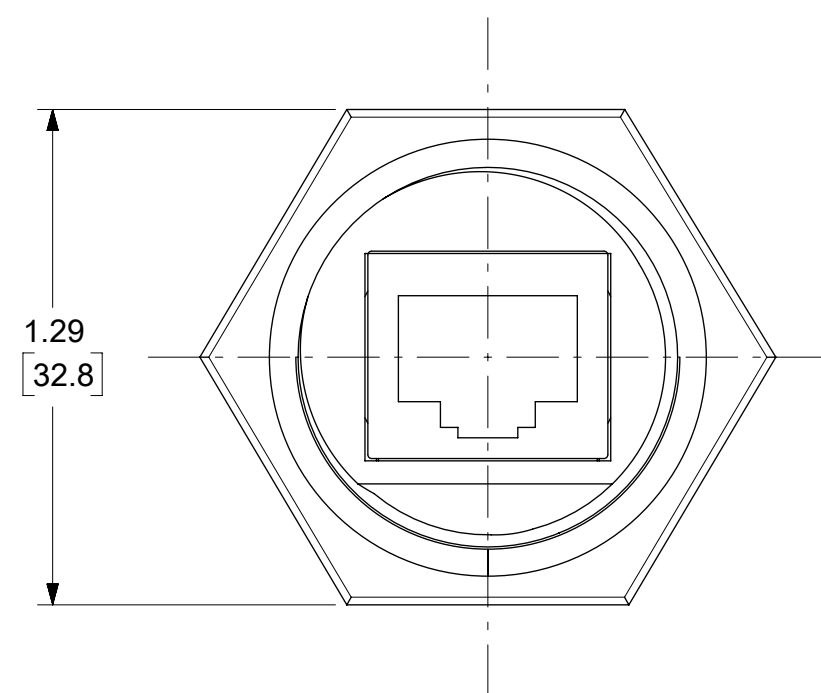
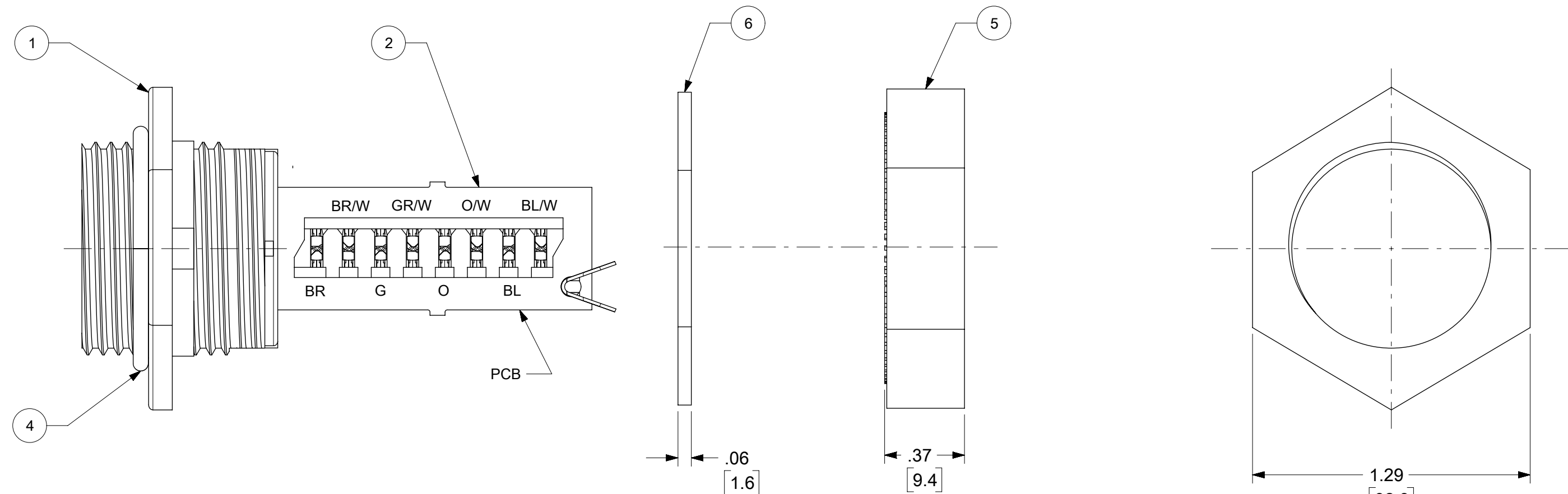


WIRING LEGEND	
BL/W	BLUE/WHITE
BL	BLUE
O/W	ORANGE/WHITE
O	ORANGE
G/W	GREEN/WHITE
G	GREEN
BR/W	BROWN/WHITE
BR	BROWN



RECOMMENDED PANEL CUT-OUT  
 PANEL THICKNESS:  
 .125 MAX WITH GASKET  
 .187 MAX / .062 MIN. WITHOUT GASKET

**NOTES:**

1. MATERIAL: AS NOTED
2. FINISHES: AS NOTED
3. LABEL IS MARKED WITH P/N, BAR CODE & DESCRIPTION
4. PACKAGING: RECEPTACLE ASSEMBLY IS PACKED IN POLY BAG WITH LOCKNUT & GASKET UNASSEMBLED. LABEL ATTACHED IS TO OUTSIDE OF BAG
5. ELECTRICAL SPECIFICATIONS:  
 FIELD WIRE TO PCB: 8 POSITIONS PLUS SHIELD  
 MAX VOLTAGE: 125 VDC  
 MAX CURRENT: 1.5A
6. PROTECTION: IP67
7. TEMP. RANGE: -20°C TO +80°C
8. ALL DIMENSIONS ARE FOR REFERENCE UNLESS TOLERANCED OR NOTED OTHERWISE.

6	GASKET	NITRILE	BLACK
5	LOCKNUT	ABS	BLACK
4	O-RING	VITON	BROWN
3	REAR SNAP COVER	ABS	BLACK
2	CONN. ASSY CAT 5E		
1	PANEL MOUNT HOUSING	ABS	BLACK
ITEM	DESCRIPTION	MATERIAL	FINISH

FUNCTIONAL SYMBOLS	THIS DRAWING CONTAINS INFORMATION THAT IS PROPRIETARY TO MOLEX ELECTRONIC TECHNOLOGIES, LLC AND SHOULD NOT BE USED WITHOUT WRITTEN PERMISSION		
$\frac{F}{A} = 0$	DIMENSION UNITS	SCALE	CURRENT REV DESC: REV'D OAL WAS 2.19, UPDATE DOC PER LATEST STD.
$\frac{F}{C} = 0$	IN/MM	2:1	
$\frac{F}{P} = 0$	GENERAL TOLERANCES (UNLESS SPECIFIED)		
DIVISIONAL SYMBOLS		MM	INCH
	4 PLACES	±	±
	3 PLACES	±	±
	2 PLACES	±	±
	1 PLACE	±	±
	0 PLACES	±	±
	ANGULAR TOL	± 0.5°	
	DRAFT WHERE APPLICABLE MUST REMAIN WITHIN DIMENSIONS		
	THIRD ANGLE PROJECTION	DRAWING	SERIES
		C-SIZE	130053
	EC NO: 646164	DRWN: RSTONE	2020/09/22
	CHK'D: CCHRASKA	APPR: BWOODMAN	2020/10/06
	INITIAL REVISION:	DRWN: BRUPERT	2009/04/20
		APPR: JFMURPHY	2009/04/22
	DOCUMENT NUMBER	DOC TYPE	DOC PART
	SD-130053-002	PSD	001
	MATERIAL NUMBER	CUSTOMER	SHEET NUMBER
	1300530002	GENERAL MARKET	1 OF 1

**molex**

RJ-LNXX FEMALE RECEPTACLE  
 RJ45, 110 PUNCHDOWN

PRODUCT CUSTOMER DRAWING

DOCUMENT NUMBER: SD-130053-002, DOC TYPE: PSD, DOC PART: 001, REVISION: C