

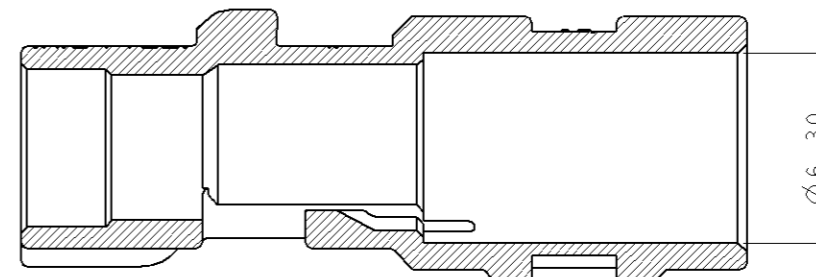
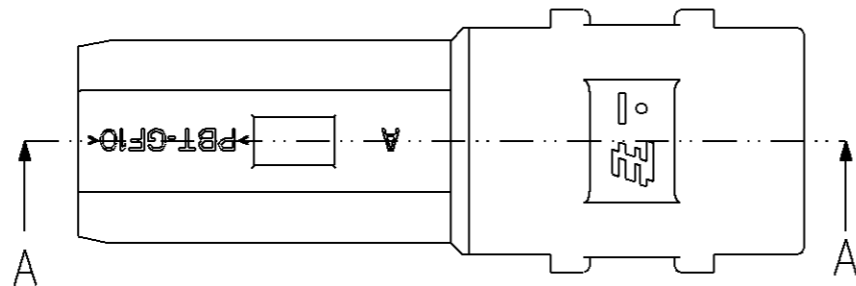
THIS DRAWING IS UNPUBLISHED.

RELEASED FOR PUBLICATION

20

© COPYRIGHT 20 BY TYCO ELECTRONICS CORPORATION. ALL RIGHTS RESERVED.

LOC	DIST	REVISIONS					
		P	LTR	DESCRIPTION	DATE	DWN	APVD
DS	-		A	RELEASED	23. AUG. '08	GH	JK



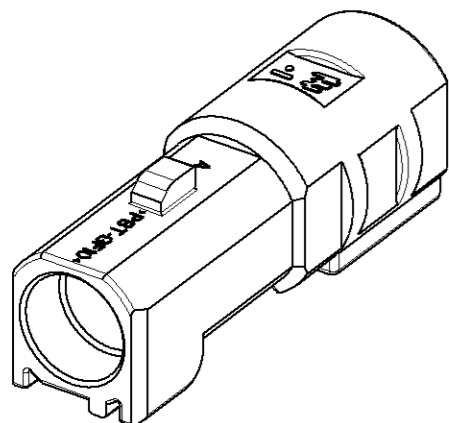
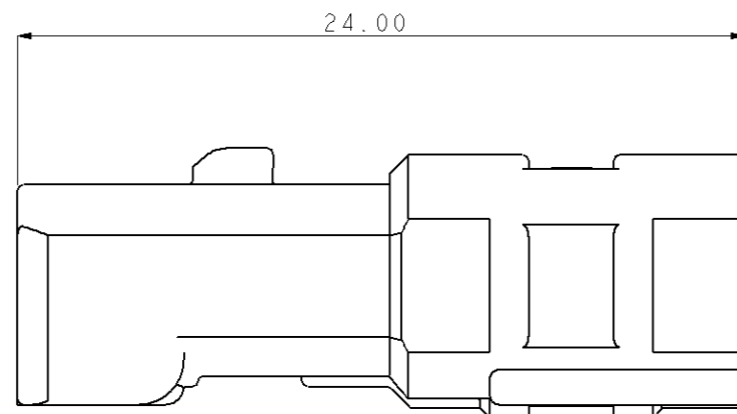
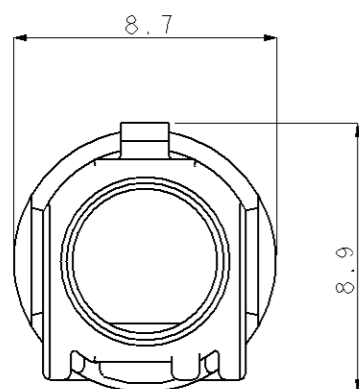
SECTION A - A

TABLE 1. REC. CONTACT

WIRE TYPE	DRAWING NO.	DESCRIPTION	ORDER NO.
RG 174/316	1488571	CENTER CONTACT	1418971-1
		SUBASSY	1488154-1
		FERRULE	1-413889-3
	1719795	CENTER CONTACT	1418971-1
		SUBASSY	1719793-1
		FERRULE	1-413889-3

NOTE ;

1. GENERAL TOLERANCE : ± 0.3 , $\pm 3.0^\circ$
2. APPLICABLE TAB CONTACT : SEE TABLE 1.
3. THE MATING CAP HSG P/N : 1897373
4. THE MATING CLIP P/N : 1897480



1897374-8	PLUG HSG	PBT-GF10	BLUE
1897374-7	PLUG HSG	PBT-GF10	GREEN
1897374-4	PLUG HSG	PBT-GF10	BROWN
1897374-2	PLUG HSG	PBT-GF10	BLACK
PART NO.	DESCRIPTION	MATERIAL	COLOR

THIS DRAWING IS A CONTROLLED DOCUMENT FOR TYCO ELECTRONICS CORPORATION IT IS SUBJECT TO CHANGE AND THE CONTROLLING ENGINEERING ORGANIZATION SHOULD BE CONTACTED FOR THE LATEST REVISION.		DWN GH KIM 23.AUG.'08	tyco AMP, KOREA Electronics kyungsan, korea	
DIMENSIONS: mm		CHK KT LIM	NAME	
TOLERANCES UNLESS OTHERWISE SPECIFIED: 0 PLC $\pm .5$ 1 PLC $\pm .5$ 2 PLC ± 0.13 3 PLC ± 0.013 4 PLC ± 0.0001 ANGLES \pm		APVD JK SONG	RF SMB PLUG HSG	
MATERIAL		PRODUCT SPEC	RESTRICTED TO	
FINISH		APPLICATION SPEC	SIZE A300779	CAGE CODE C-1897374
		WEIGHT	DRAWING NO	
CUSTOMER DRAWING		SCALE 4:1		SHEET 1 OF 1 REV A