

REFERENCE SPECIFICATIONS

-NFC 93425 (in compliance with HE 507)

PHYSICAL CHARACTERISTICS

- INSULATOR MATERIAL: THERMOPLASTIC UL94V0
- CONTACT MATERIAL: BRASS
- ACCESSORIES: BRASS
- SHELLS: STEEL

ELECTRICAL CHARACTERISTICS

- NOMINAL CURRENT: 30A or 40A
- CONTACT RESISTANCE: <=7.3 m ohms
- CONTACT/CONTACT : >=1000 V
- CONTACT/GROUND : >=1200 V
- INSULATION RESISTANCE: >=5000 MOhms

ENVIRONMENTAL CHARACTERISTICS

- CLIMATIC CATEGORY: 55/125/21
- TEMPERATURE RANGE -55°C TO +125°C
- DAMP HEAT STEADY STATE 21 DAYS
- SALT SPRAY 24 HOURS

MECHANICAL CHARACTERISTICS

- RETENTION AGAINST TORQUE: - Threaded insert: 0.7 N.m maximum
- Female screw : 0.5 N.m maximum

NOTE RoHS INFORMATION

- The "LF" products meet european union Directives and other country regulations as described in GS-47-0004
- The housing will withstand exposure to 260°C peak temperature for 3.5 seconds in a wave solder application with a 1.6mm minimum thick circuit board. See application notes/procedures if they are available.
- Termination plating spec:
 - Ni 1.27µmi+Sn 2.5 to 7.5µ(pure bright)
- Active area plating spec:
 - Ni + Gold/GxT
- Shell plating :2 to 4µm Cu + 3 to 10µmm Sn(pure bright)
- Accessories: Sn pure bright
- Packaging spec: See GS-14-920

DBL5W5P300G30LF

Series

Shell size: **E A B C**

see sheet 2

Front accessory definition see sheet 2

- L** : threaded insert M3
- O** : threaded insert UNC 4-40
- V** : female screw UNC 4-40
- I** : female screw M3

Layout of contacts (see sheet 3)

Contacts

P : Pin

Termination type

3 Straight version

Plating

- 00** 200 matings/unmatings
- 43** 500 matings/unmatings

PCB accessories definition see sheet 2

- H** : harpoons for PCB 2.40mm
- G** : harpoons for PCB 1.60mm

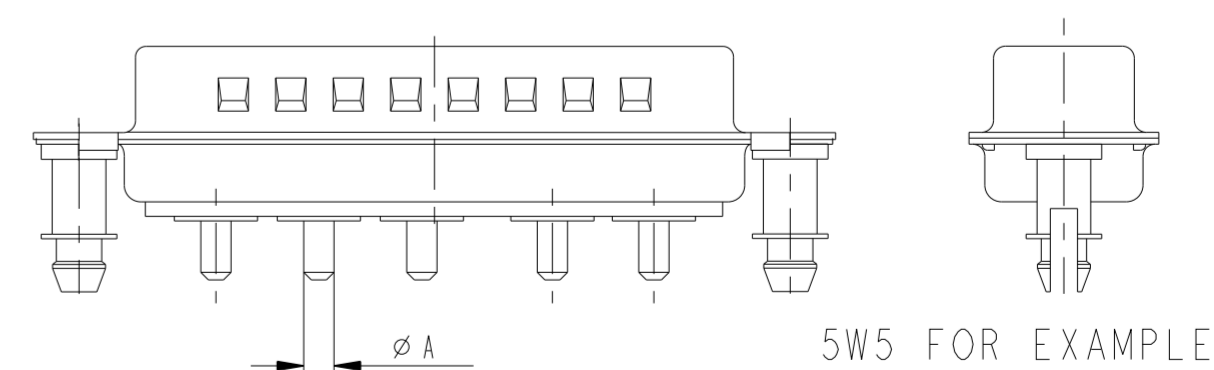
Power contacts

- 00** : Not fitted with power contact (signal contacts always fitted)
- 30** : Fitted with power contacts 30 Amp.
- 40** : Fitted with power contacts 40 Amp.

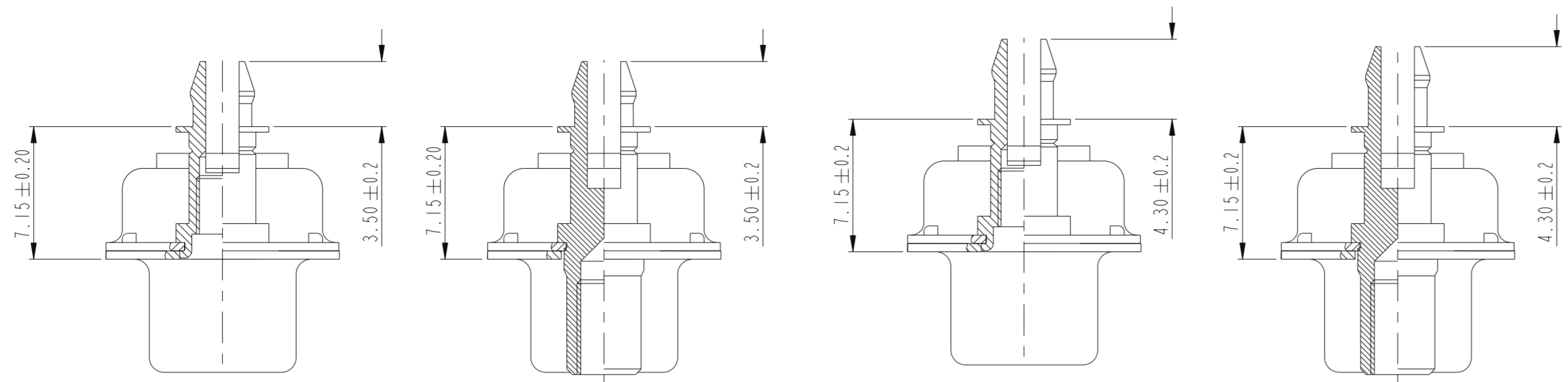
See note RoHS

TABLE 1: PCB HOLE DIAMETERS

POWER CONTACTS			ACCESSORIES
30 A	2.00	ø2.40	ø3.10
40 A	2.80	3.10	
Max current power	ØA ±0.1	PCB HOLE +/-0.1	PCB HOLE +/-0.1



spec ref	dr	1, Product Eng	2015/06/15	projection	mm	size	A2	scale	3:1
tolerance std	eng	Gregar Mathew	2020/12/04		mm	ecn no	ELX-33502-1	rel level	Released
ISO 406	chr	-	2020/12/06						
ISO 1101	appr	Kuriakosa, San	2020/12/06	product family	D SUB	rel level	Released		
surface	linear		SUB MALE DW full power straight solder	cat. no.	-	Product - Customer Drw	sheet 1 of 4		
ISO 1302	angular			0°	±2°	rev	H		
	0.X			±0.3	0.XX	±0.1	0.XXX	±0.05	



FRONT ACCESSORY	L insert M3 O insert UNC 4.40	V insert UNC 4.40	L insert M3 O insert UNC 4.40	V insert UNC 4.40
PCB ACCESSORIES	G Harpoon for PCB 1.60mm	G Harpoon for PCB 1.60mm	H Harpoon for PCB 2.40mm	H Harpoon for PCB 2.40mm

PART NUMBER	AMPS	MATINGS/ UNMATINGS	FRONT ACCESSORY	PCB ACCESSORIES
D*LxWxP300G30LF	30	200	insert M3	harpoon PCB 1.60mm
D*OxWxP300G30LF	30	200	insert UNC 4.40	harpoon PCB 1.60mm
D*VxWxP300G30LF	30	200	female screw UNC 4.40	harpoon PCB 1.60mm
D*LxWxP300H30LF	30	200	insert M3	harpoon PCB 2.40mm
D*OxWxP300H30LF	30	200	insert UNC 4.40	harpoon PCB 2.40mm
D*VxWxP300H30LF	30	200	female screw UNC 4.40	harpoon PCB 2.40mm
D*LxWxP300G40LF	40	200	insert M3	harpoon PCB 1.60mm
D*OxWxP300G40LF	40	200	insert UNC 4.40	harpoon PCB 1.60mm
D*VxWxP300G40LF	40	200	female screw UNC 4.40	harpoon PCB 1.60mm
D*LxWxP300H40LF	40	200	insert M3	harpoon PCB 2.40mm
D*OxWxP300H40LF	40	200	insert UNC 4.40	harpoon PCB 2.40mm
D*VxWxP300H40LF	40	200	female screw UNC 4.40	harpoon PCB 2.40mm

shell size *
E
A
A
B
C

LAYOUTS
xWx
2V2
3V3
3W3
5W5
8W8

PART NUMBER	AMPS	MATINGS/ UNMATINGS	FRONT ACCESSORY	PCB ACCESSORIES
D*LxWxP343G30LF	30	500	insert M3	harpoon PCB 1.60mm
D*OxWxP343G30LF	30	500	insert UNC 4.40	harpoon PCB 1.60mm
D*VxWxP343G30LF	30	500	female screw UNC 4.40	harpoon PCB 1.60mm
D*LxWxP343H30LF	30	500	insert M3	harpoon PCB 2.40mm
D*OxWxP343H30LF	30	500	insert UNC 4.40	harpoon PCB 2.40mm
D*VxWxP343H30LF	30	500	female screw UNC 4.40	harpoon PCB 2.40mm
D*LxWxP343G40LF	40	500	insert M3	harpoon PCB 1.60mm
D*OxWxP343G40LF	40	500	insert UNC 4.40	harpoon PCB 1.60mm
D*VxWxP343G40LF	40	500	female screw UNC 4.40	harpoon PCB 1.60mm
D*LxWxP343H40LF	40	500	insert M3	harpoon PCB 2.40mm
D*OxWxP343H40LF	40	500	insert UNC 4.40	harpoon PCB 2.40mm
D*VxWxP343H40LF	40	500	female screw UNC 4.40	harpoon PCB 2.40mm

Amphenol FCI

© 2016 AFCI

spec ref	dr 1, Product Eng	2015/06/15	projection	mm	size A2	scale 3:1
tolerance std	eng Gregar Mathew	2020/12/04		mm	ecn no ELX-33502-1	rel level Released
ISO 406 ISO 1101	chr -	2020/12/06				
TOLERANCES UNLESS OTHERWISE SPECIFIED	appr Kurikosse, San	2020/12/06	product family	D SUB		
surface	linear	0.X ±0.3 0.XX ±0.1 0.XXX ±0.05			cat. no.	Product - Customer Drw
ISO 1302	angular	0° ±2°	SUB MALE DW		diag no C01-8639-2314C	rev H
			full power straight solder		sheet 2 of 4	

PDS: Rev :H

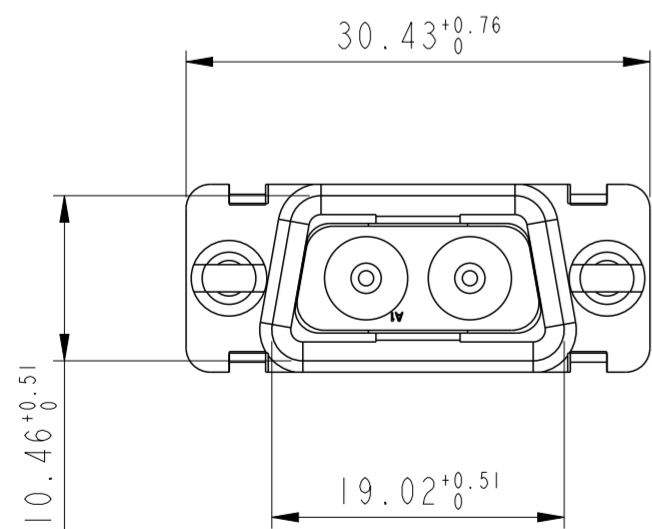
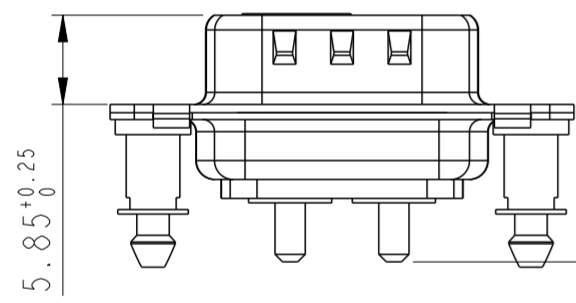
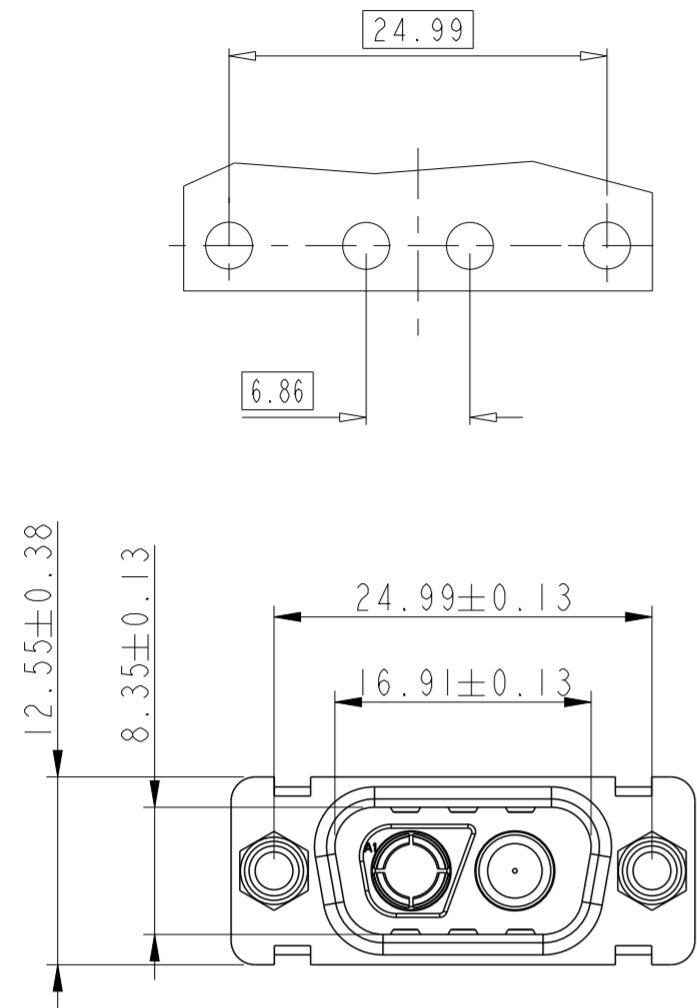
STATUS:Released

Printed: Dec 18, 2020

2V2

LAYOUT AND CONNECTOR DIMENSIONS

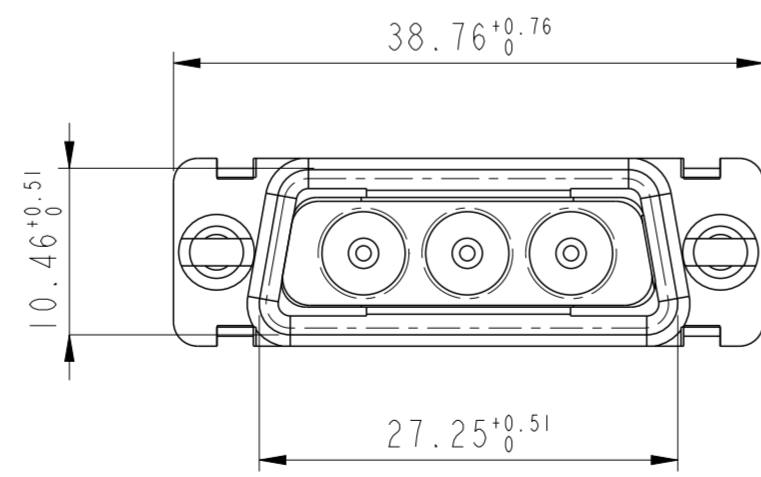
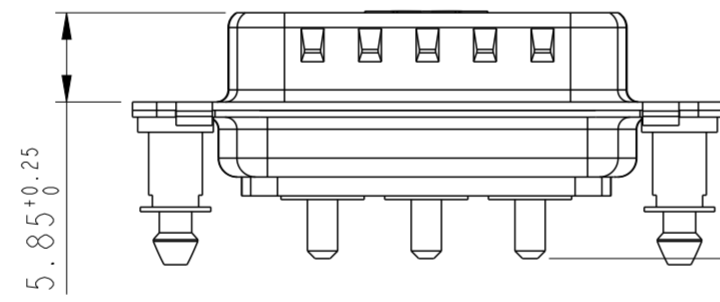
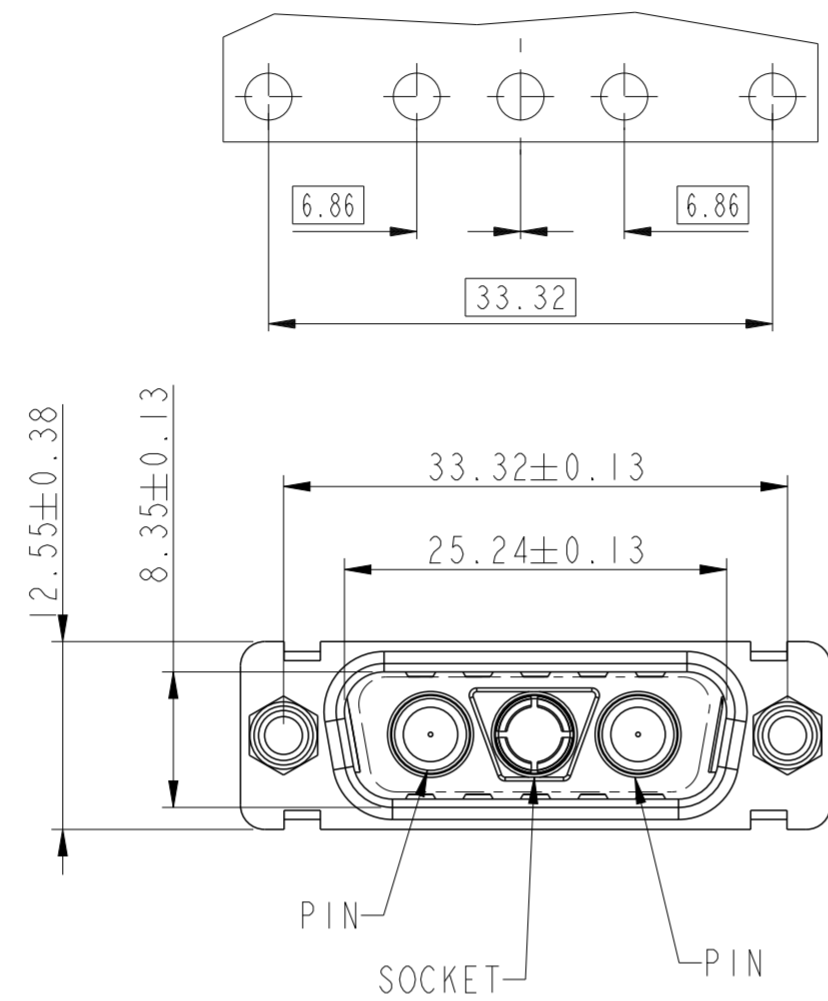
For PCB hole diameters see table I sheet I



3V3

LAYOUT AND CONNECTOR DIMENSIONS

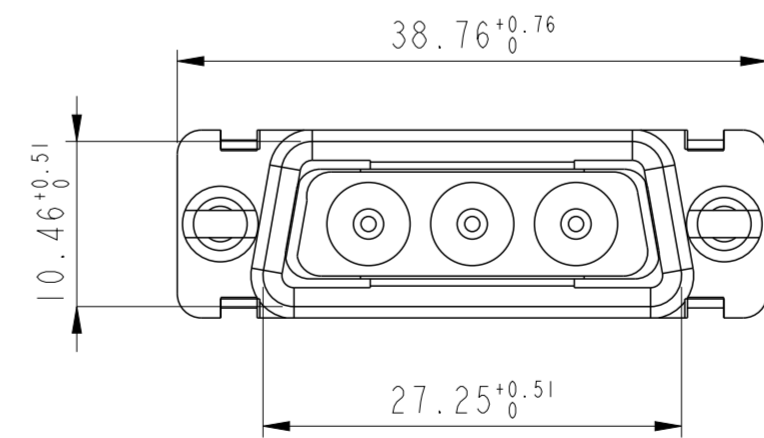
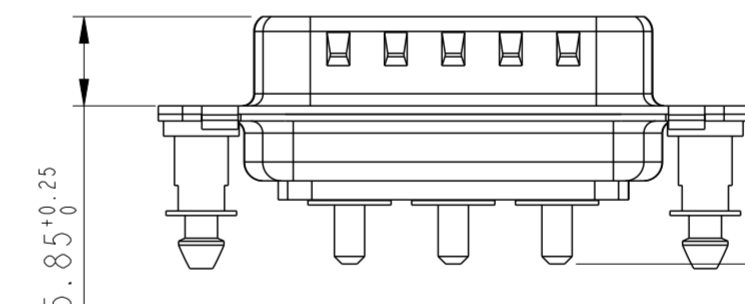
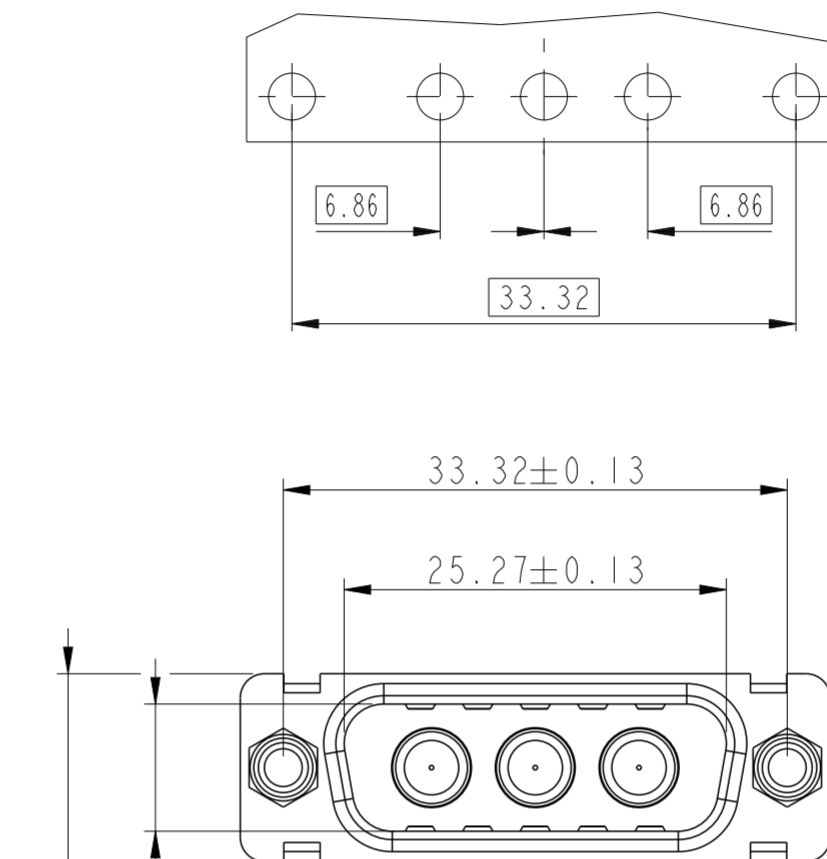
For PCB hole diameters see table I sheet I



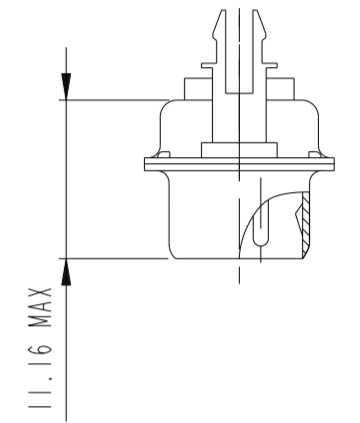
3W3

LAYOUT AND CONNECTOR DIMENSIONS

For PCB hole diameters see table I sheet I



SIDE VIEW FOR LAYOUTS: E A B C



Cote "A"

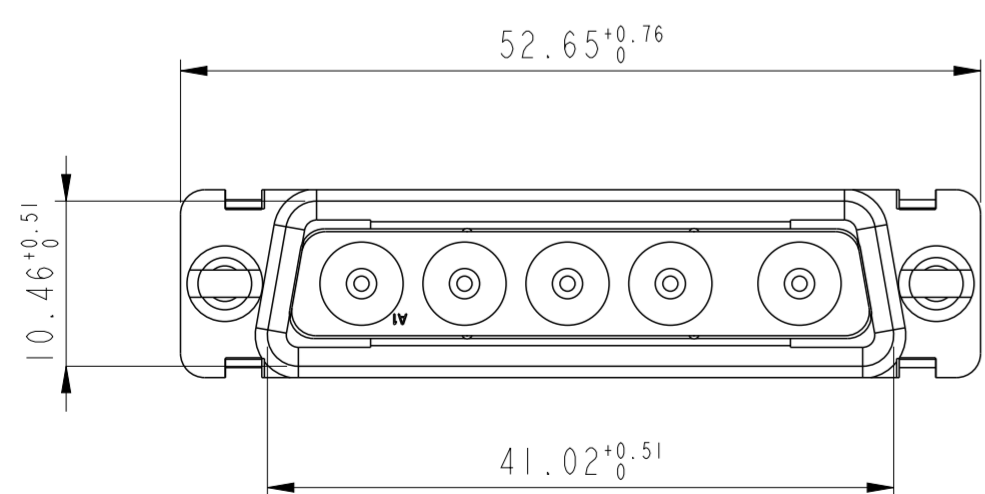
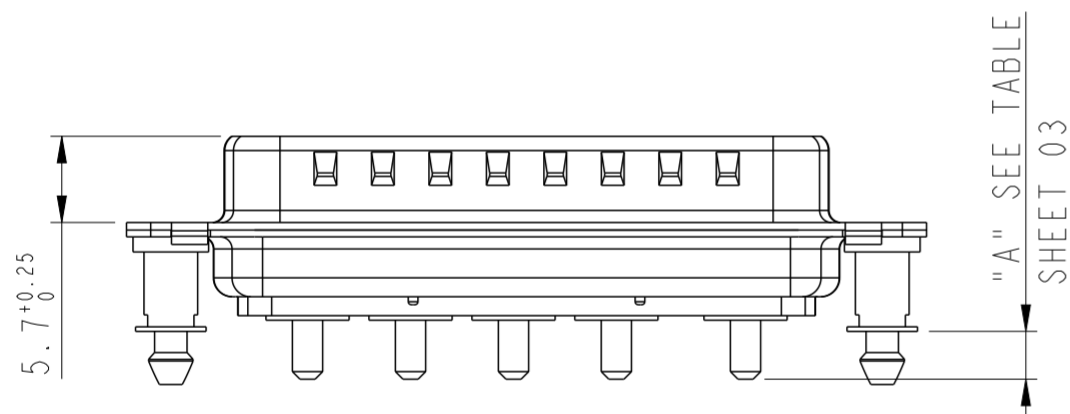
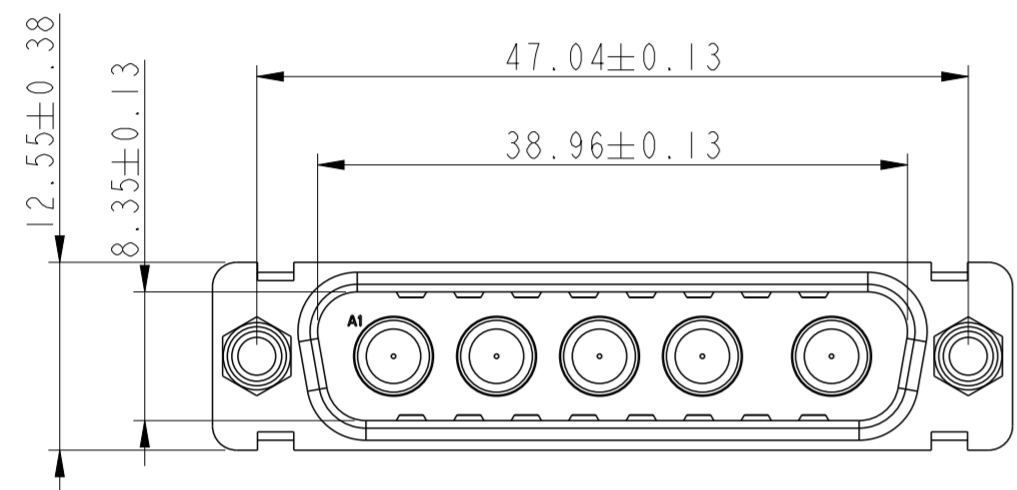
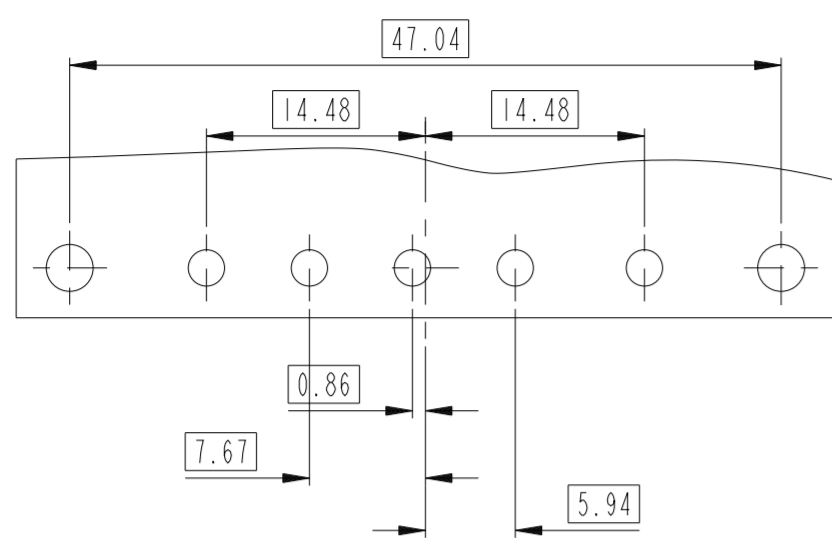
30A	3.1±0.25
40A	3.6±0.25

spec ref	dr	1, Product Eng	2015/06/15	projection	mm	size	A2	scale	2:1
tolerance std	eng	Gregar Mathew	2020/12/04			ecn no	ELX-33502-1	rel level	Released
ISO 406	chr	-							
ISO 1101	appr	Kuriakosa, San	2020/12/06						
surface	linear	0.X	±0.3	Amphenol FCI		product family	D SUB -	rel level	Released
ISO 1302		0.XX	±0.1	SUB MALE DW		dwg no	C01-8639-2314C	rev	H
	angular	0°	±2°	full power straight solder		cat. no.	-	Product - Customer Drw	sheet 3 of 4

5W5

LAYOUT AND CONNECTOR DIMENSIONS

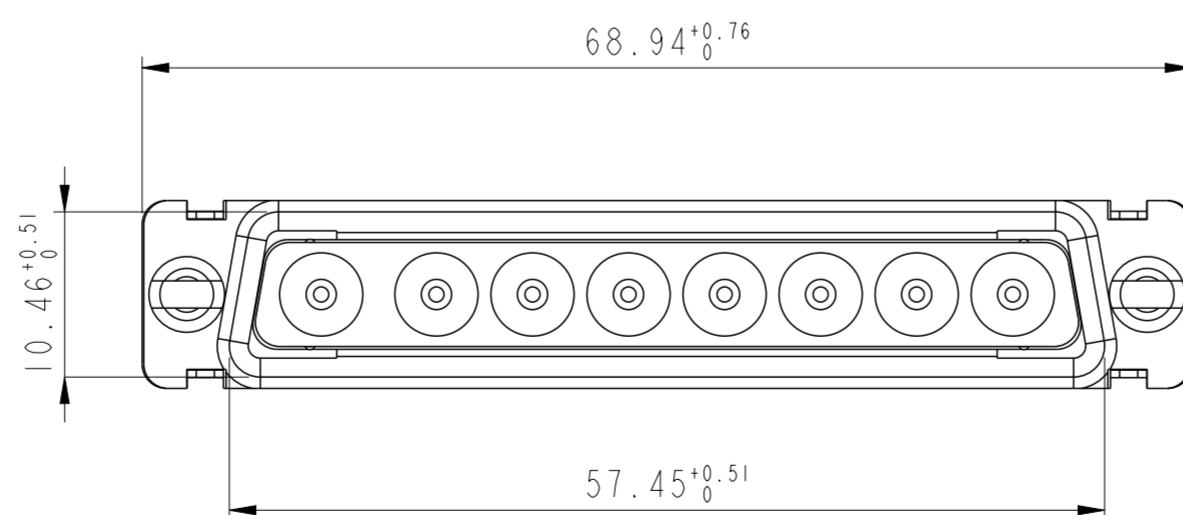
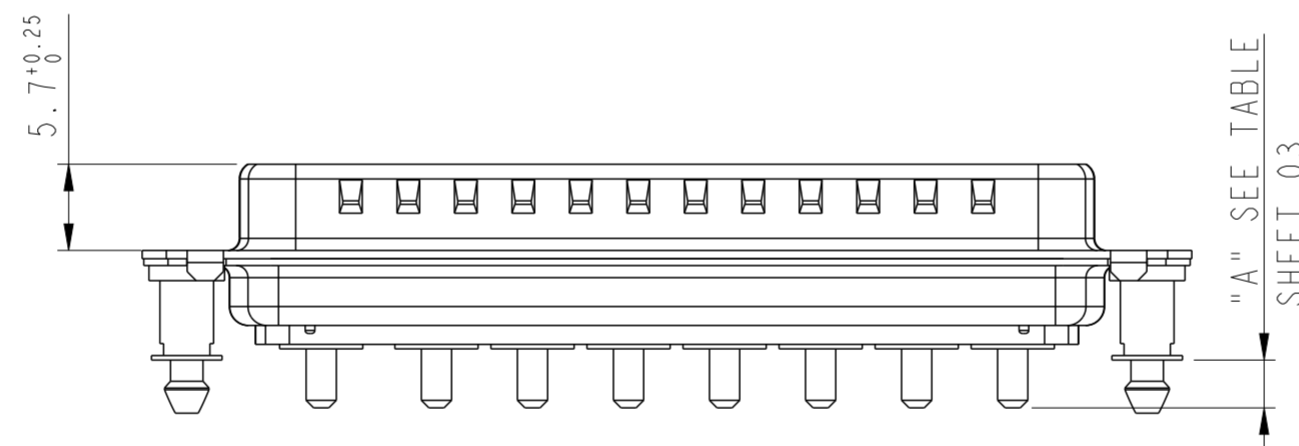
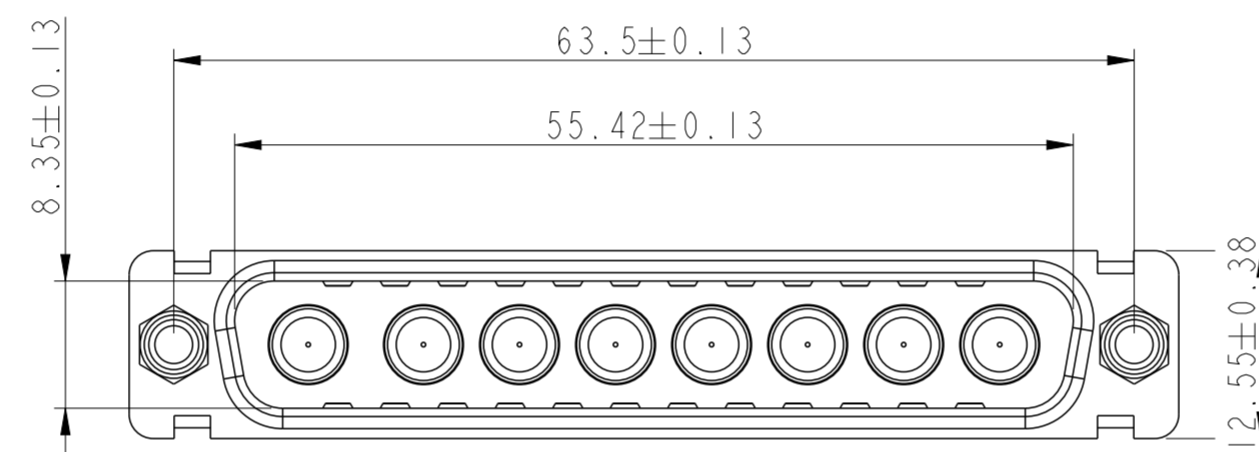
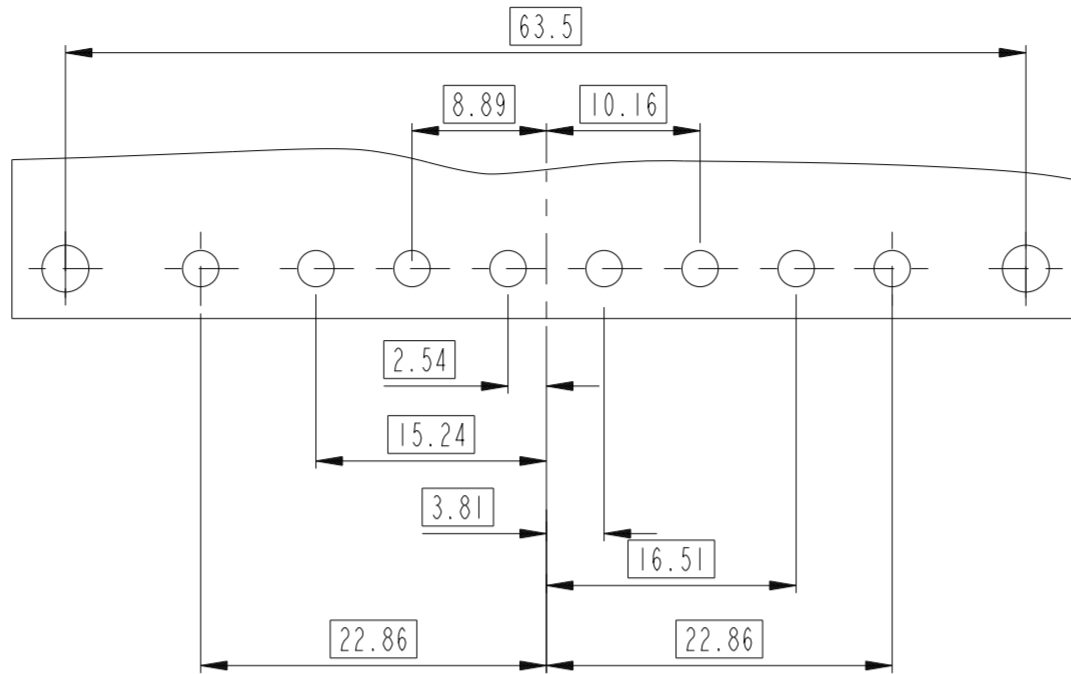
For PCB hole diameters see table I sheet I



8W8

LAYOUT AND CONNECTOR DIMENSIONS

For PCB hole diameters see table I sheet I



Amphenol
FCi

© 2016 AFci

spec ref	dr	1, Product Eng	2015/06/15	projection	mm	size	A2	scale	2:1
tolerance std	eng	Gregar Mathew	2020/12/04		mm	ecn no	ELX-33502-1	rel level	Released
ISO 406	chr	-	product family						
ISO 1101	appr	Kuriakosa, San	2020/12/06	Amphenol FCI		title SUB MALE DW full power straight solder		cat. no. - Product - Customer Drw	sheet 4 of 4
surface	linear	0.X	±0.3	dwg no C01-8639-2314C		rev H			
		0.XX	±0.1						
		0.XXX	±0.05						
ISO 1302	angular	0°	±2°						

PDS: Rev :H

STATUS:Released

Printed: Dec 18, 2020