

## 450 "STOCK POT" SERIES

### Features

- Off the shelf availability
- Choice of linear or 10% logarithmic tapers
- Wide resistance range
- Available with three molded plug-in shaft styles: knurled & slotted, flatted or round.
- Economical in limited volume applications.



---

### Electrical and Mechanical Specifications

#### Resistance Range

500 ohms through 500K ohms

#### Resistance Tolerance

± 20%

#### Power Rating, Watts

Through 10K ohms, 1/2 watt; above 10K ohms through 100K ohms, 1/3 watt; above 100K ohms, 1/4 watt

#### Voltage Rating:

Bushing to terminals:

High pot test, one minute - 1080 VAC

#### Shaft Information

Diameter: .250" (Dia. over knurl .240" - .246")

#### Angle of Rotation

Total Rotation: 300 degrees, ± 5%

Effective Rotation approximately 300 degrees

#### Bushing Information

Material: Diecast zinc

Diameter: EIA std. 3/8"-32 UNEF-2A thread

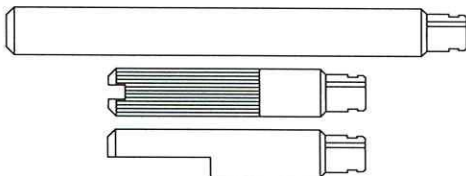
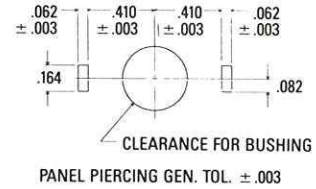
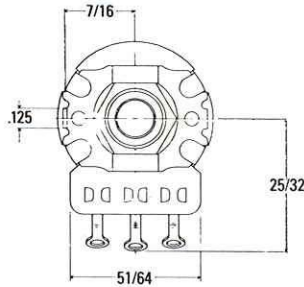
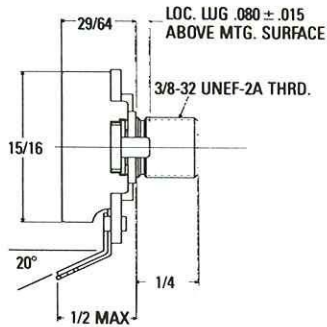
Length: 1/4" ± 1/64"

#### Terminal Information

Solder lug, formed to rear

#### Locating Lug

Left side, terminals down



## Plug-In Shafts

Three popular shaft styles (8 choices) are available with trim selections including screwdriver slot (.023" wide x .062" deep), flat (.156" wide x 1/2" long) or full round. This wide selection generally eliminates the need for cutting or modification.

450 SERIES "STOCK-POT" STANDARD PART NUMBER

# 450 D103 KSD4

OHMS	LOG A		LINEAR D TAPER
	TAPER	OR	
500	--		D501
1K	A102		D102
2.5K	A252		D252
5K	A502		D502
10K	A103		D103
25K	A253		D253
50K	A503		D503
100K	A104		D104
250K	A254		D254
500K	A504		D504

SHAFT	SHAFT DETAIL	
	LENGTH FMS	TRIM
KSD4	1/2"	SD SLOT
KSD6	3/4"	SD SLOT
KSD7	7/8"	SD SLOT
KSD8	1"	SD SLOT
F8	1"	FLAT
PR16	2"	ROUND