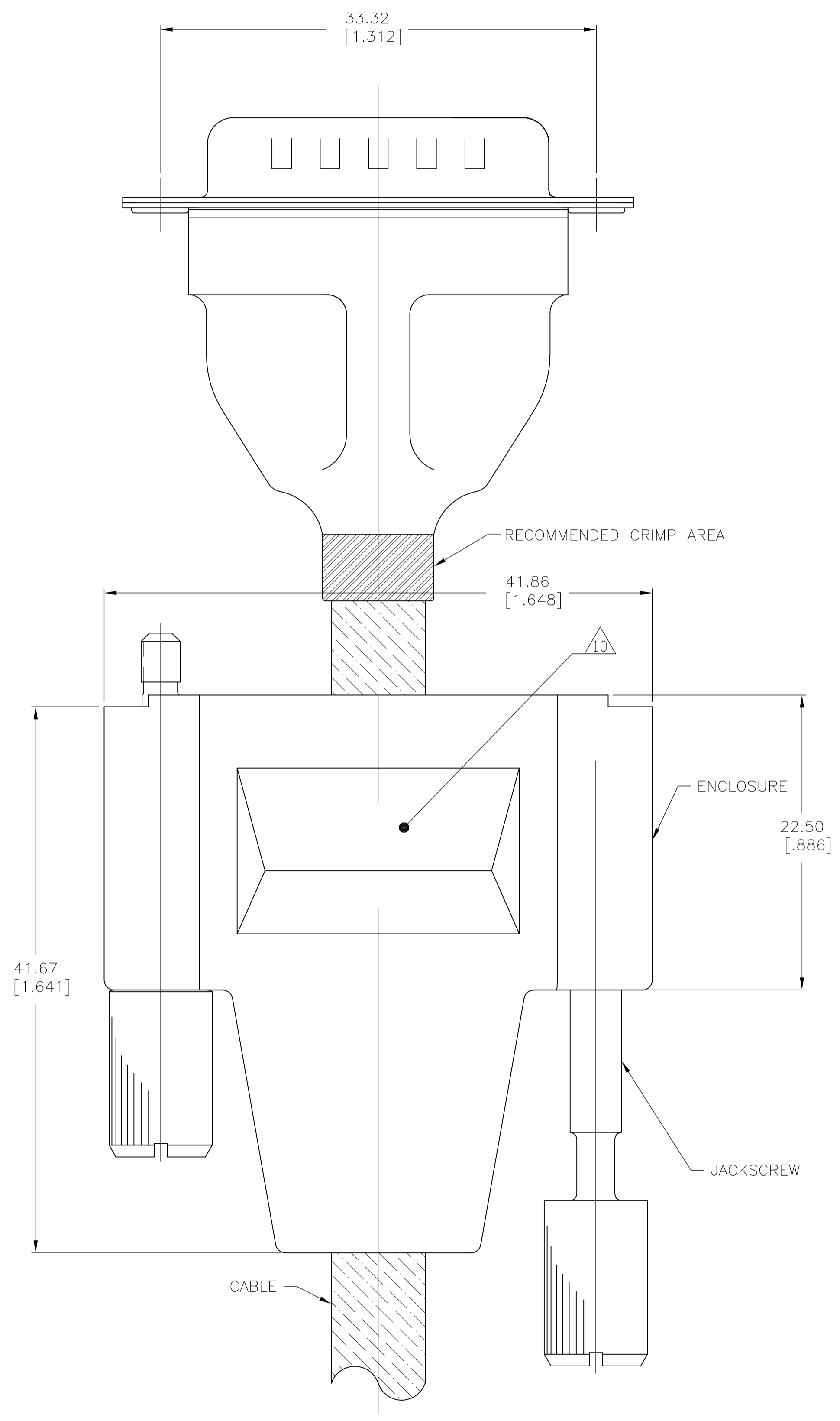


LOC	DIST	REVISIONS			
GP	00	REV	DESCRIPTION	DATE	BY
		F	REVISED PER ECO-12-003967	13APR2012	CJV



EXPLODED VIEW OF ASSEMBLED KIT

- 1 MATERIAL  
INSERT: PBT, BLACK, UL94V-0 RATED  
CONTACT & JACKSCREWS: BRASS  
SHELLS & SHIELD: STEEL  
ENCLOSURE: PVC, BLACK
- 2 FINISH:  
CONTACT: GOLD PLATING 0.02µm[.000008] MIN ON CONTACT AREA/2.3µm[.000090] MIN TIN-LEAD PLATING ON SOLDER AREA. ALL OVER 1.27µm[.000050] MIN NICKEL.  
SHELL: 2.4µm[.000095] MIN TIN.  
SHIELD: 2.0-3.0µm[.000080-.000120] TIN.
- 3 SPECIFICATION:  
ELECTRICAL CHARACTERISTICS:  
CURRENT RATING: 3 AMPERES  
DIELECTRIC WITHSTANDING VOLTAGE: AC 1000V r.m.s  
INSULATION RESISTANCE: 5000 MEGAOHMS MINIMUM AT DC 500V  
CONTACT RESISTANCE: 10 MILLIOHMS MAXIMUM.
- 4 PLUG CONNECTOR FULLY LOADED WITH CONTACTS. ALL OTHER PARTS ARE SHIPPED UNASSEMBLED, EACH PART INDIVIDUALLY BULK PACKED.
- 5 SOLDER CUP WILL ACCOMMODATE 20 MAX. AWG WIRE.
- 6 FINISH:  
CONTACT: GOLD PLATING 0.02µm[.000008] MIN ON CONTACT AREA/2.3µm[.000090] MIN HOT DIPPED TIN-COPPER PLATING ON SOLDER AREA. ALL OVER 1.27µm[.000050] MIN NICKEL.  
SHELL: 2.4µm[.000095] MIN BRIGHT TIN.  
SHIELD: 2.0-3.0µm[.000080-.000120] TIN.
- 8 ROHS 2002/95/EC COMPLIANT PART (SEE SHEET 2)
- 9 OBSOLETE PARTS: OBSOLETE CIS STREAMLINING PER D.RENAUD/D.SINISI.
- 10 COMPANY LOGO IN APPROXIMATE AREA SHOWN.
- 11 ASSEMBLE PER 408-10443.

8 9	OBSOLETE	6	10.8 [.425]	1571651-6
8		6	9.5 [.374]	1571651-5
8 9	OBSOLETE	6	7.2 [.283]	1571651-4
SUPERSEDED BY 1571651-6		2	10.8 [.425]	1571651-3
SUPERSEDED BY 1571651-5		2	9.5 [.374]	1571651-2
SUPERSEDED BY 1571651-4		2	7.2 [.283]	1571651-1
	FINISH	CABLE DIA L	PART NUMBER	

THIS DRAWING IS A CONTROLLED DOCUMENT. DIN M. BINNER 21NOV03

TE Connectivity

BULK KIT, PLUG, AMPLIMITE SOLDER CUP SHIELDING ENCLOSURE 15 POSITION, SIZE 2

108-40031

100779 1571651

SCALE 4:1 SHEET 1 OF 1 REV F