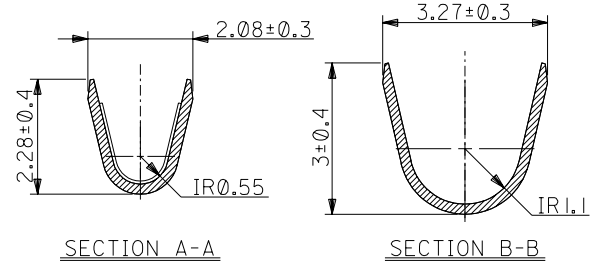
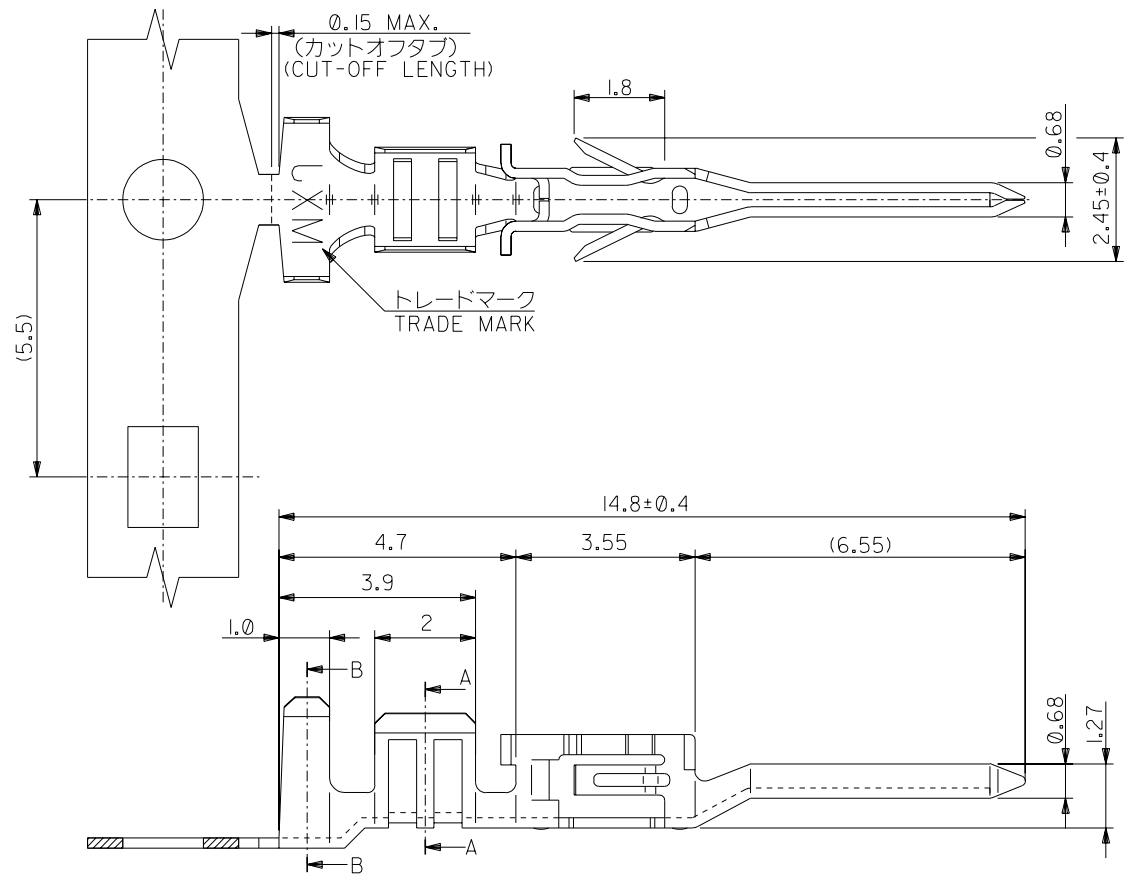
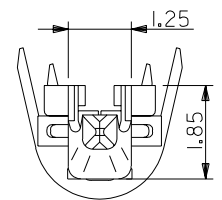


DWG. NO. SD-56117-001



注記
NOTES

- 材質
MATERIAL
りん青銅 (板厚: 0.2)
PHOSPHOR BRONZE (THICKNESS : 0.2)
- メッキ仕様
TERMINAL PLATING
接点部 : 金メッキ 0.25 μm MIN.
CONTACT AREA : GOLD 0.25 μm MIN.
圧着部 : 半田メッキ 1.0 μm MIN.
CRIMP AREA : TIN-LEAD 1.0 μm MIN.
下地メッキ : ニッケルメッキ 2 μm MIN.
UNDER PLATE : NICKEL 2 μm MIN.
- 適用電線 : UL 1007, AWG #18~22
APPLICABLE WIRE RANGE : UL1007, AWG#18~22
- 被覆外径 : φ2.2 MAX.
INSULATION EXTERNAL DIA : φ2.2 MAX.
- 適用ハウジング : 51233-****, 51234-****
APPLICABLE HOUSING : 51233-****, 51234-****



バラ状 LOOSE	56117-8390	56117-8***
連鎖状 CHAIN	56117-8290	
端子形状 TERMINAL CONFIGURATION	MATERIAL No.	MODEL No.

DO NOT SCALE DRAWING

EC NO. DRWN: CHK: APPR:	EC NO. DRWN: CHK: APPR:	EC NO. DRWN: CHK: APPR:	EC NO. DRWN: CHK: APPR:	EC NO. DRWN: CHK: APPR:	RELEASED/03/06/20 EC NO. J2003-3238 DRWN: S.AKIYAMA CHK: J.MIYAZAWA APPR: YO.ITO	MATERIAL 材料 注記参照 SEE NOTES	GENERAL TOLERANCES: (UNLESS SPECIFIED) 一般公差	SCALE	DESIGN UNITS mm INCH	THIRD ANGLE PROJECTION	DIMENSIONS: mm INCH	SHT REVISE ON CAD ONLY	REV
						FINISH 仕上げ	10 UNDER 未満	±0.2	DRAWN BY & DATE S. Akiyama 03/01/29	TITLE:			
						WIRE RANGE 適用電線範囲	10 OVER 30 UNDER 未満	±0.25	CHECKED BY & DATE J. Nagawa	COMPACT ROBOT CONN. (CRC) CRIMP PIN (SEQUENTIAL TYPE)			
						INS. RANGE 被覆外径	30 OVER 以上	±0.3	APPROVED BY & DATE Y. Ito	MOLEX MOLEX INCORPORATED			
							ANGLE 角度	±3°	CAD FILENAME SD-56117-001.S01	MATERIAL NO. SEE CHART	DRAWING NO. SD-56117-001	SHEET NO. 1 OF 1	SIZE B

THIS DRAWING CONTAINS INFORMATION THAT IS PROPRIETARY TO MOLEX INCORPORATED AND SHOULD NOT BE USED WITHOUT WRITTEN PERMISSION.