

PART NAME: 1/4" BAR KNOB SCALE: 1:1 DATE: 11/18/51 DR. BY JC



DESIGNERS & MANUFACTURERS
OF KNOBS, HANDLES, CASES &
CUSTOM PLASTIC COMPONENTS

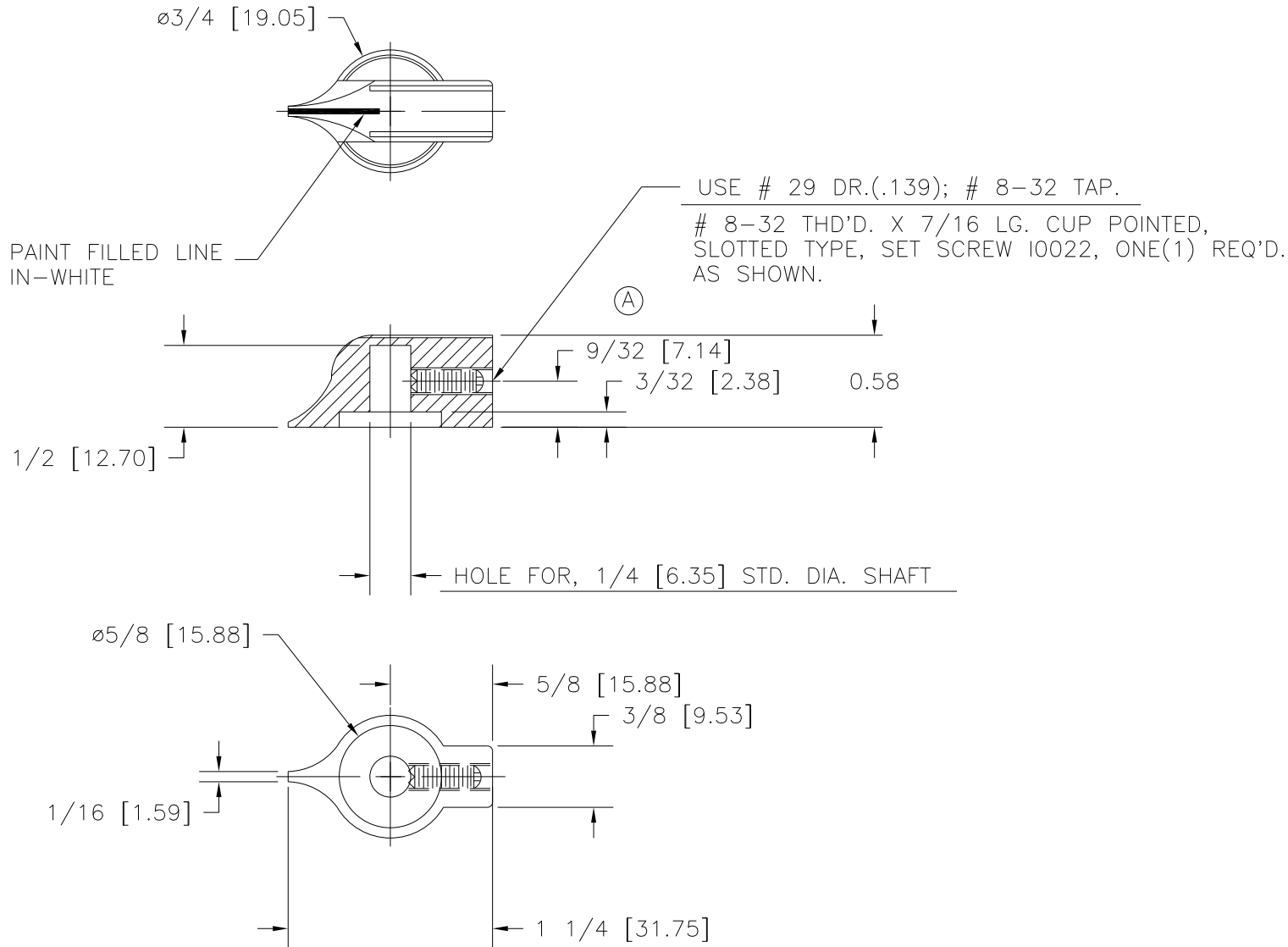
P/N 2150-V

THIS DRAWING IS THE PROPERTY OF DAVIES MOLDING COMPANY, IS SUBMITTED SOLELY AS A DESIGN OR ENGINEERING PROJECT.
WE ACCEPT NO RESPONSIBILITY WHATSOEVER FOR THE PRACTICAL APPLICATION OF THE PIECES MADE TO THIS DESIGN.

BASE PART 2150-01

CAD/REDRAWN : 5/22/92 : HD (B)

SET SCREW I0022



MATERIAL: #4311 PLENCO PHENOLIC (B41)
COLOR: BLACK

TOLERANCES: UNLESS OTHERWISE SPECIFIED	DO NOT SCALE DRAWING			
DECIMALS: X.XXX ± .005 X.XX ± .015	MM: X.XX ± 0.15MM X.X ± 0.4MM	B	ADDED BASE PART	JAM 5/30/14
		A	WAS 7/32	HM 6/12/42
FRACTIONS ± 1/64	ANG. ± 1°	CHANGES		