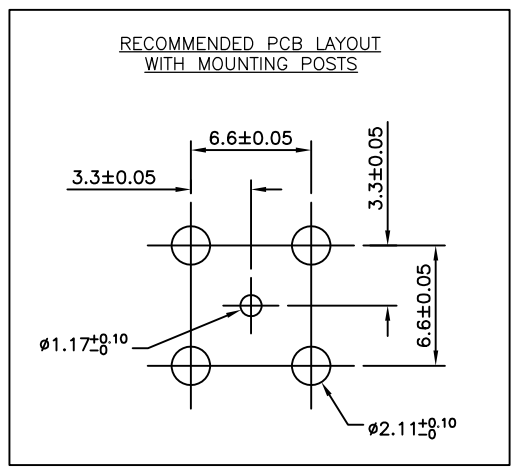
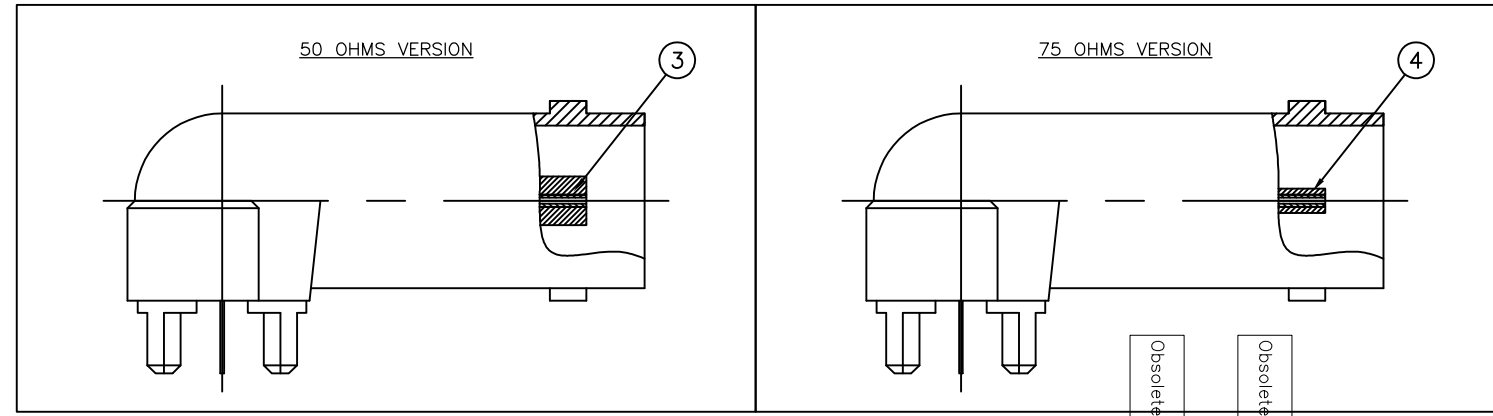
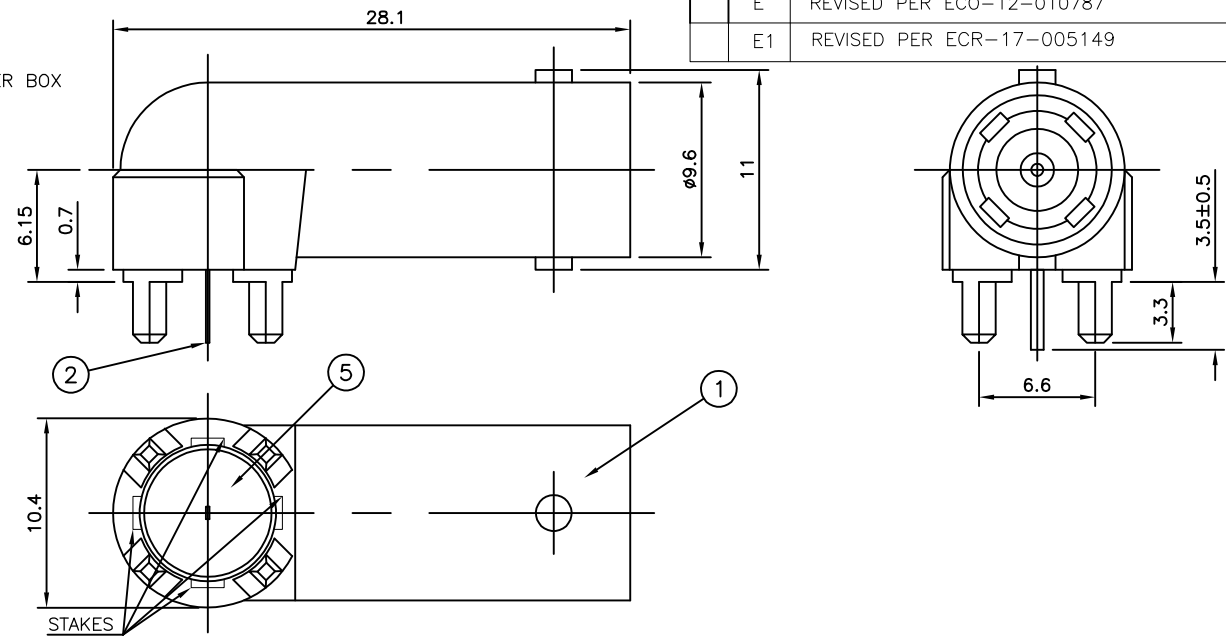


THIS DRAWING IS UNPUBLISHED. RELEASED FOR PUBLICATION FEB ,2004.
 © COPYRIGHT 2004 By - ALL RIGHTS RESERVED.

LOC	DIST	REVISIONS					
E	B	P	LTR	DESCRIPTION	DATE	DWN	APVD
		E		REVISED PER ECO-12-010787	11JUN12	TT	MT
		E1		REVISED PER ECR-17-005149	11APR17	BW	RS

- NOTES**
- 1 TRAY PACK: 50PCS/TRAY, 1000PCS/OUTER BOX
 - 2 SINGLE PACK: 1PC/ONE BAG, 100 BAGS/ONE INNER BOX, 10 INNER BOXES/ONE OUTER BOX
 - 3 Au PLATING
 - 4 Ni PLATING
 - 5 FOR TECHNICAL DATA REFER TO YOUR LOCAL TE CONNECTIVITY SALES OFFICE
 - 6 ALL DIMENSIONS ARE NOMINAL FOR REFERENCE ONLY UNLESS OTHERWISE STATED



QTY	1	2	3	4	5	MATERIAL	DESCRIPTION	ITEM
	1	1	1	1	1	PTFE	INSULATOR	5
	1	1	-	-	-	TPX	INSULATOR	4
	-	-	1	1	1	TPX	INSULATOR	3
	1	1	1	1	1	PHOS BRONZE	CONTACT	2
	1	1	1	1	1	ZINC ALLOY	BODY	1
	5--3	5--2	5--1	5--0			MATERIAL	DESCRIPTION

THIS DRAWING IS A CONTROLLED DOCUMENT.

DIMENSIONS: mm	TOLERANCES UNLESS OTHERWISE SPECIFIED: 0 PLC ± 0.5 1 PLC ± 0.3 2 PLC ± 0.2 3 PLC ± - 4 PLC ± - ANGLES ± -	DWN RITA ZUO 10 Mar 09 CHK ANSON MA 10 Mar 09 APVD BOB ZHAO 10 Mar 09 PRODUCT SPEC 108-112000 APPLICATION SPEC - WEIGHT 0	TE Connectivity BNC LOW PROFILE ELBOW SOCKET			
MATERIAL SEE TABLE	FINISH SEE TABLE	CUSTOMER DRAWING	SIZE A3	CAGE CODE 00779	DRAWING NO C-1634513	RESTRICTED TO -
			SCALE NTS	SHEET 1 OF 1	REV E1	