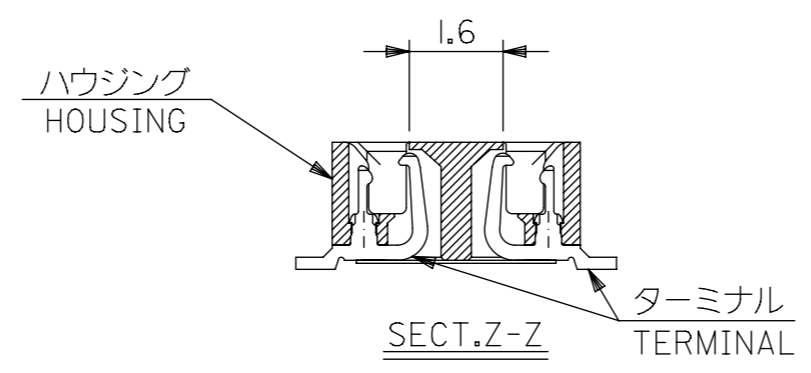
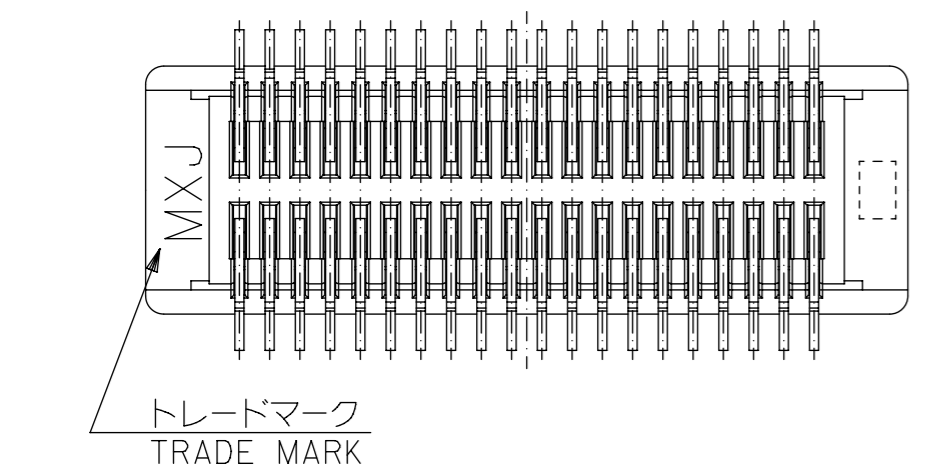
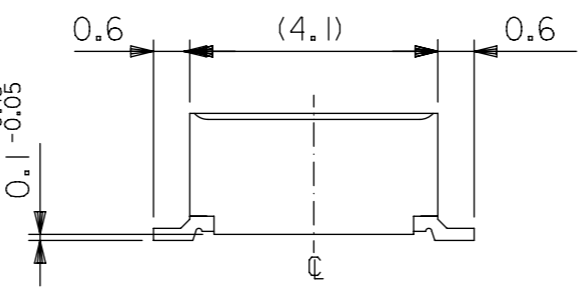
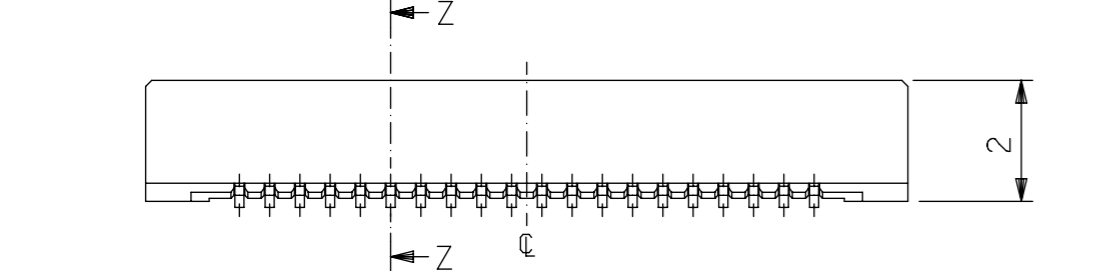
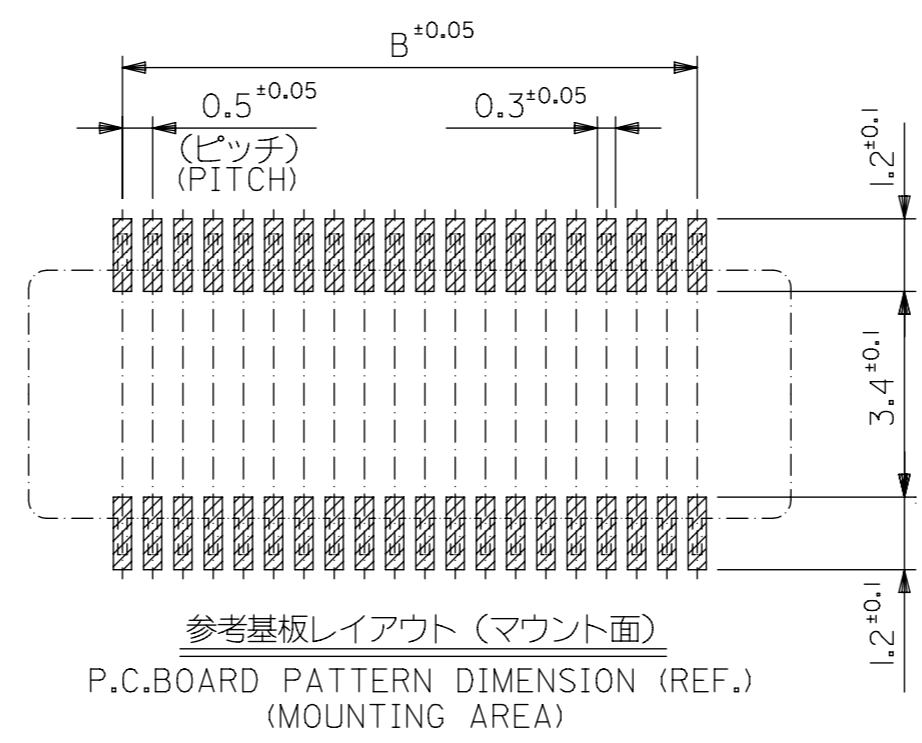
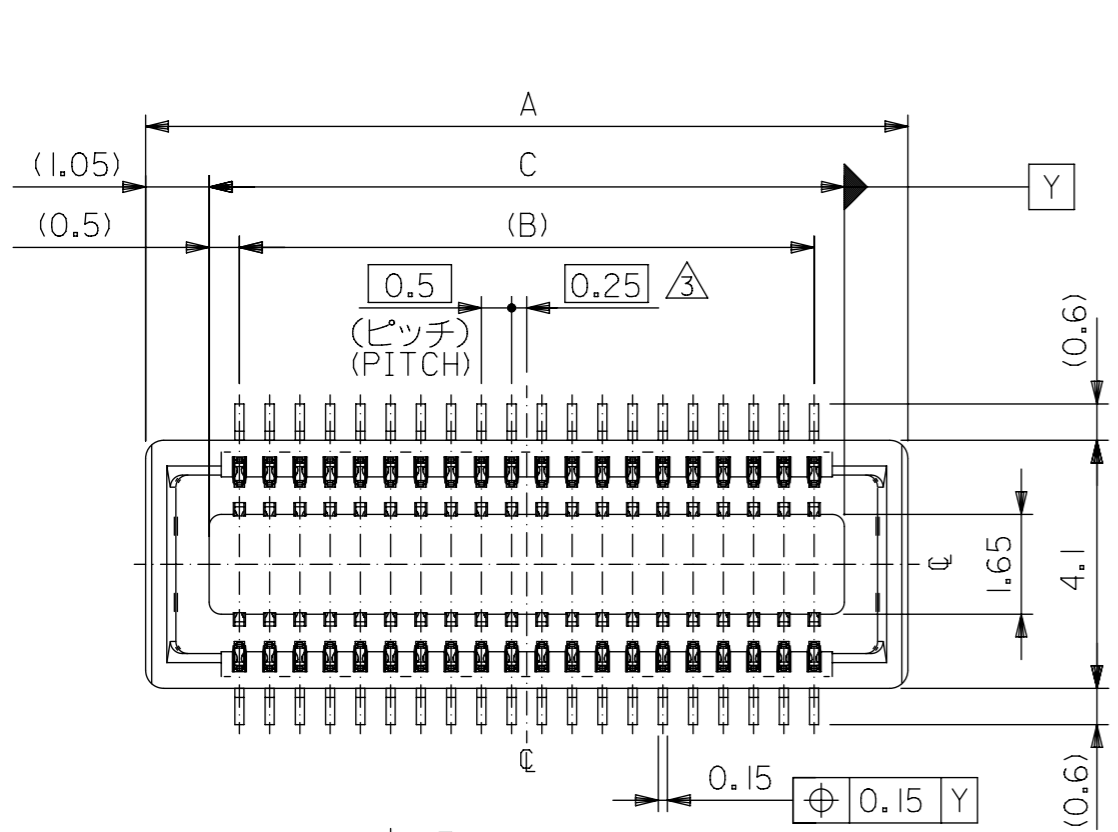


注記 NOTES:

1. 使用材料 MATERIAL
ハウジング : 液晶ポリマー (LCP),
ガラス充填, UL94V-0, 色 : 黒
HOUSING: LIQUID CRYSTAL POLYMER,
GLASS FILLED, UL94V-0, COLOR: BLACK
ターミナル : リン青銅 (t=0.15)
TERMINAL: PHOSPHOR BRONZE (t=0.15)
2. メッキ仕様 PLATING
金メッキ 0.25マイクロメートル以上 (コンタクト部)
GOLD (Au) 0.25 MICROMETER MINIMUM
(CONTACT AREA)
金メッキ (テール部)
GOLD PLATING (SOLDER TAIL AREA)
下地メッキ : ニッケルメッキ 1.5 マイクロメートル以上
UNDER PLATING
: NICKEL 1.5 MICROMETER MINIMUM
* コンタクト部とテール部はニッケルメッキによって
分断されている金メッキです。
DIVIDE INTO PARTS THE GOLD PLATING OF
THE CONTACT PART AND THE TAIL PART BY
THE NICKEL PLATING.
- △ 3 (全極数/2) = 偶数の場合に適用。
APPLY FOR (CIRCUIT/2)=EVEN.
4. 嵌合相手 : 53885 / 500334 シリーズ (嵌合高さ = 2.5mm)
MATE WITH : 53885 / 500334 SERIES. (HEIGHT = 2.5mm)
5. テール平坦度は 0.1MAX.
TAIL COPLANARITY TO BE 0.1 MAXIMUM.
6. ELV 及び RoHS 適合品 .
ELV AND RoHS COMPLIANT.



20.5	19.5	22.6	54102-0804	80
18.0	17.0	20.1	54102-0704	70
15.5	14.5	17.6	54102-0604	60
13.0	12.0	15.1	54102-0504	50
10.5	9.5	12.6	54102-0404	40
8.0	7.0	10.1	54102-0304	30
5.5	4.5	7.6	54102-0204	20
4.5	3.5	6.6	54102-0164	16
C	B	A	EMBOSSED PACKAGE オーダー番号 ORDER No.	極数 CIRCUIT

CONNECTOR SERIES No. 54102-***3

THIS DRAWING CONTAINS INFORMATION THAT IS PROPRIETARY TO MOLEX ELECTRONIC TECHNOLOGIES, LLC AND SHOULD NOT BE USED WITHOUT WRITTEN PERMISSION

CURRENT REV DESC: REVISED

molex

0.5 MM PITCH B-TO-B CONN.
HEIGHT = 2.5 RECEPTACLE

PRODUCT CUSTOMER DRAWING

DOCUMENT NUMBER: SD-54102-006
DOC TYPE: PSD
DOC PART: 001
REVISION: D

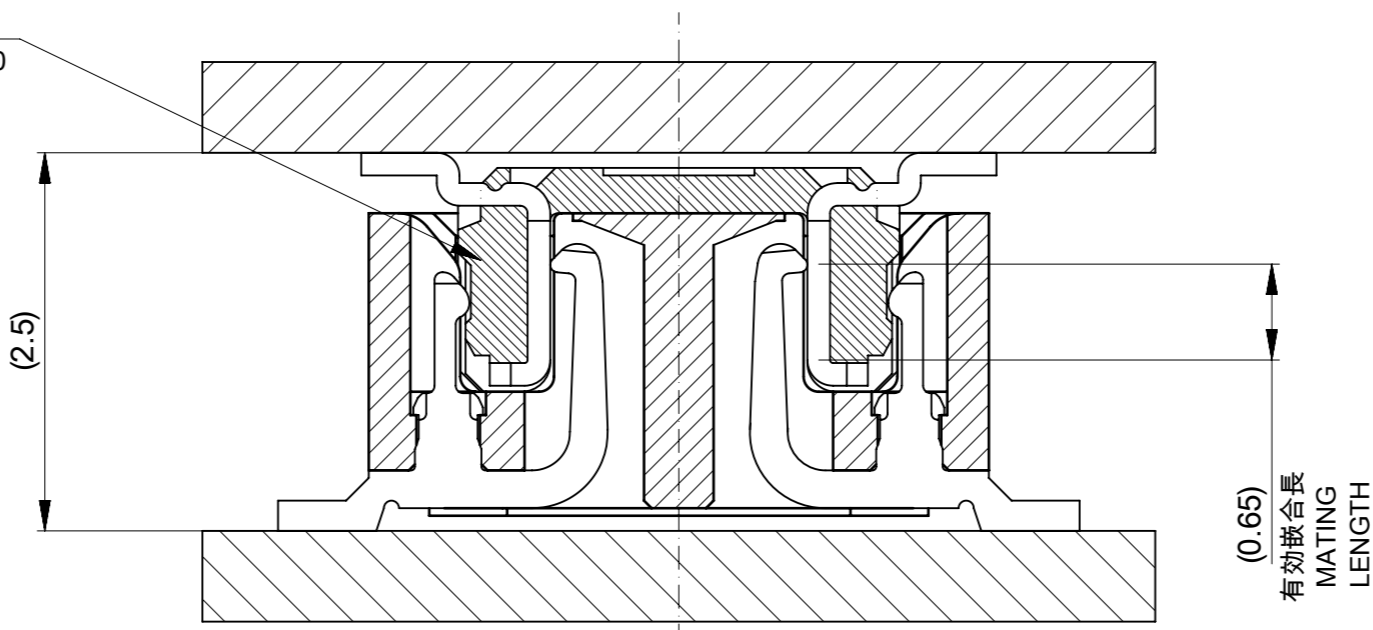
EC NO: 642297
DRWN: BJAYARAM
CHK'D: HSHIMOYAMA
APPR: SHOSHIKAWA
2020/09/07
2020/11/30
2020/11/30

INITIAL REVISION:
DRWN: YSAKIYAMA
APPR: MSASAO
2004/05/07
2004/05/12

THIRD ANGLE PROJECTION
DRAWING: A3-SIZE
SERIES: 54102
MATERIAL NUMBER: SEE TABLE
CUSTOMER: GENERAL
SHEET NUMBER: 1 OF 2

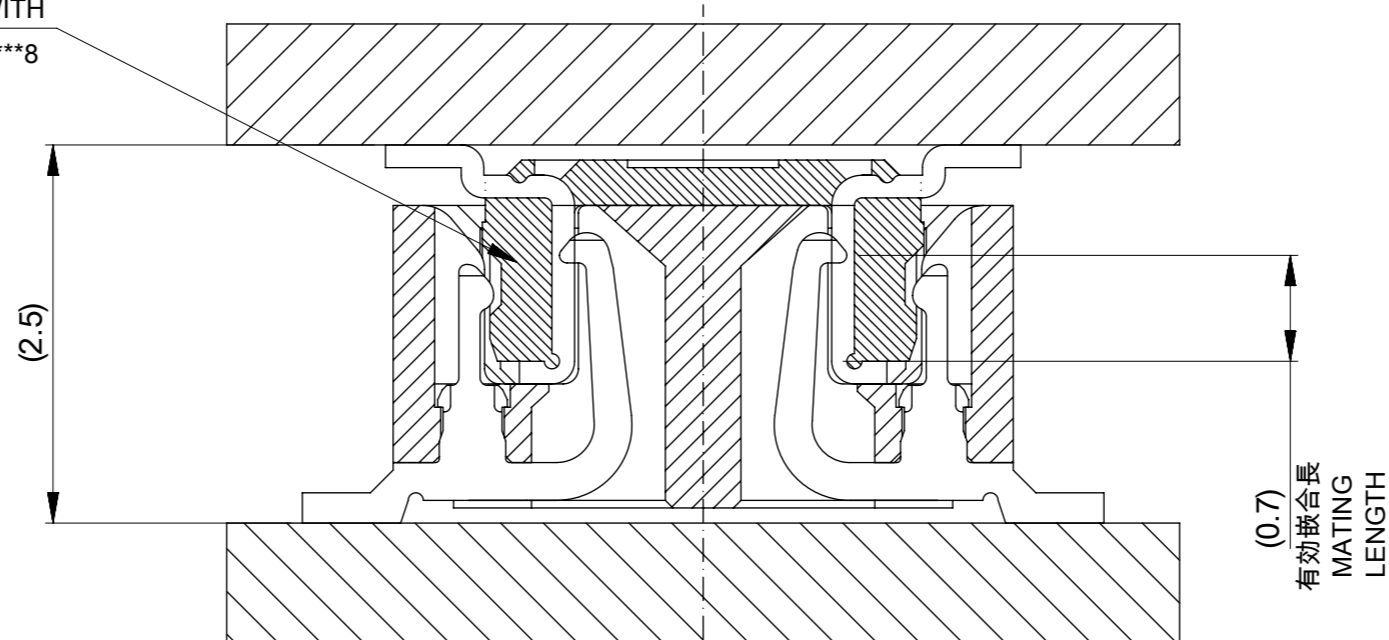
GENERAL TOLERANCES (UNLESS SPECIFIED)	
10 ^{UNDER}	±0.2
10 ^{OVER} 30 ^{UNDER}	±0.25
30 ^{OVER}	±0.3
ANGULAR ±3°	
DRAFT WHERE APPLICABLE MUST REMAIN WITHIN DIMENSIONS	

嵌合相手
MATE WITH
500334-***0



嵌合断面図 (参考)
MATED DRAWING (REF.)

嵌合相手
MATE WITH
53885-***8

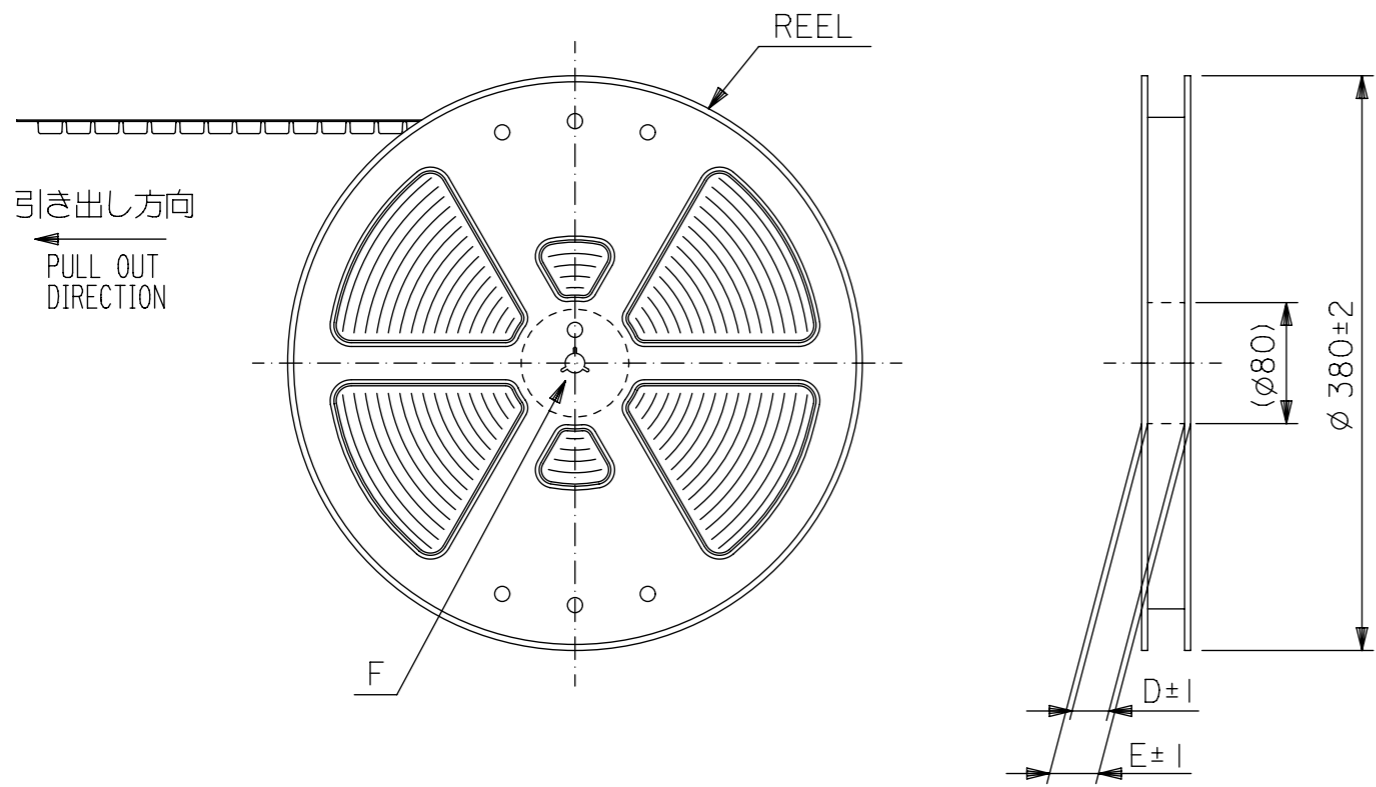


嵌合断面図 (参考)
MATED DRAWING (REF.)

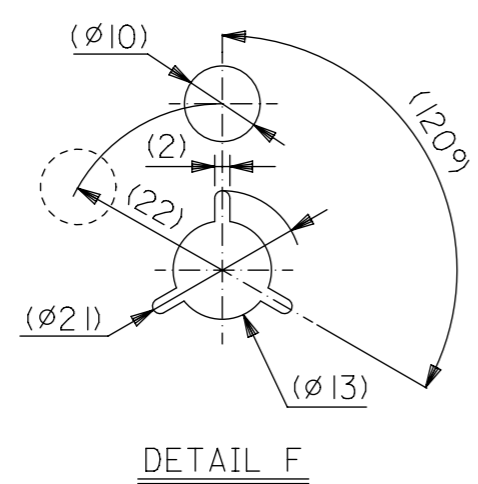
THIS DRAWING CONTAINS INFORMATION THAT IS PROPRIETARY TO MOLEX ELECTRONIC TECHNOLOGIES, LLC AND SHOULD NOT BE USED WITHOUT WRITTEN PERMISSION

DIMENSION UNITS	SCALE	CURRENT REV DESC: REVISED		
mm	20:1	molex 0.5 MM PITCH B-TO-B CONN. HEIGHT = 2.5 RECEPTACLE		
GENERAL TOLERANCES (UNLESS SPECIFIED)				
ANGULAR TOL ± 30°		EC NO: 642297	2020/09/07	DOCUMENT NUMBER
4 PLACES ± 0.2		DRWN: BJAYARAM	2020/11/30	
3 PLACES ± 0.25		CHK'D: HSHIMUYAMA	2020/11/30	DOC PART
2 PLACES ± 0.3		APPR: SHOSHIKAWA	2020/11/30	REVISION
1 PLACE ±		INITIAL REVISION:	2004/05/07	SD-54102-006
0 PLACES ±		DRWN: YSAKIYAMA	2004/05/12	
DRAFT WHERE APPLICABLE MUST REMAIN WITHIN DIMENSIONS		THIRD ANGLE PROJECTION	DRAWING	SERIES
			A3-SIZE	54102
		MATERIAL NUMBER	CUSTOMER	SHEET NUMBER
		SEE SHEET 1	GENERAL	2 OF 2

GENERAL TOLERANCES (UNLESS SPECIFIED)	
10 ^{UNDER}	±0.2
10 ^{OVER} 30 ^{UNDER}	±0.25
30 ^{OVER}	±0.3
ANGULAR ±3°	
DRAFT WHERE APPLICABLE MUST REMAIN WITHIN DIMENSIONS	



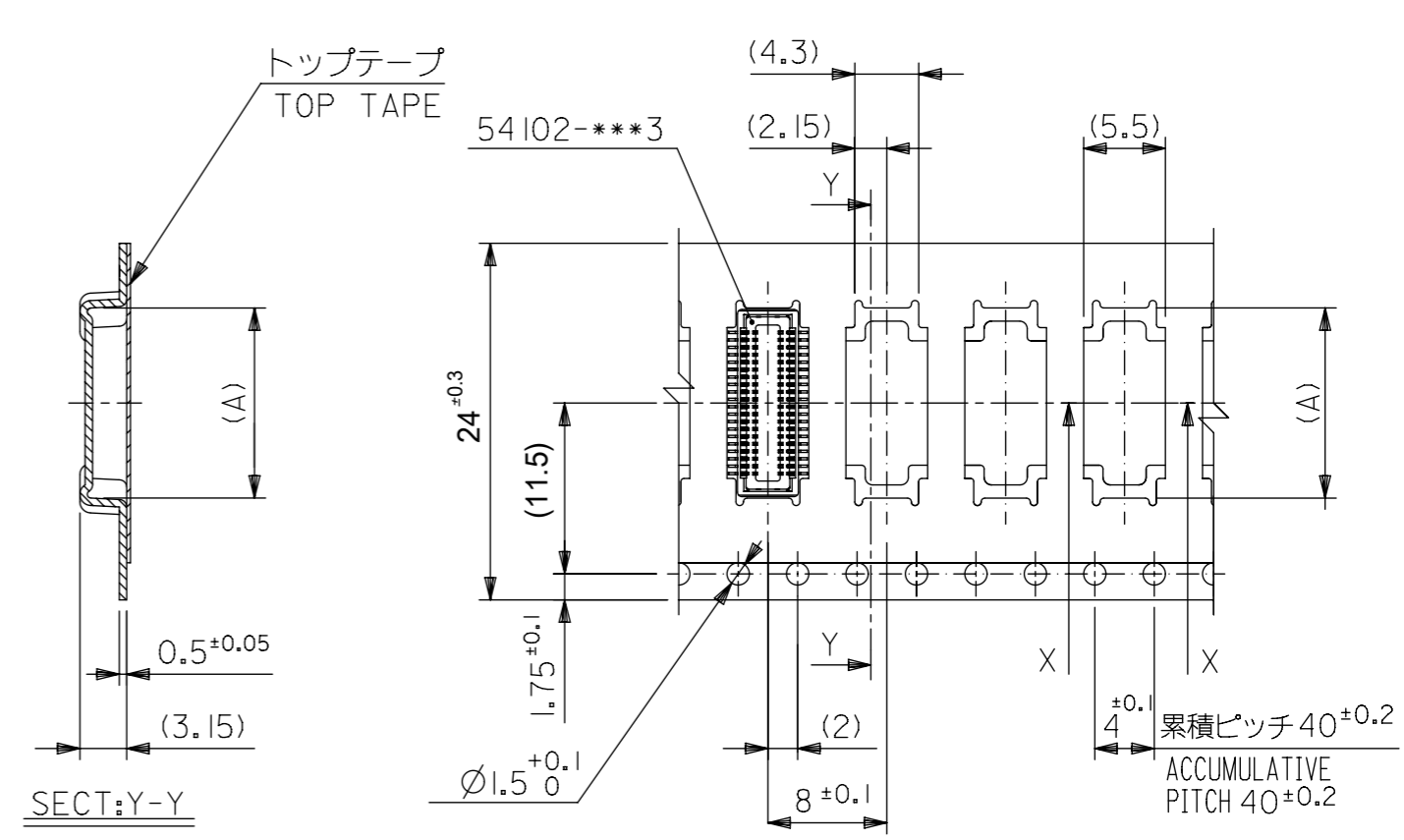
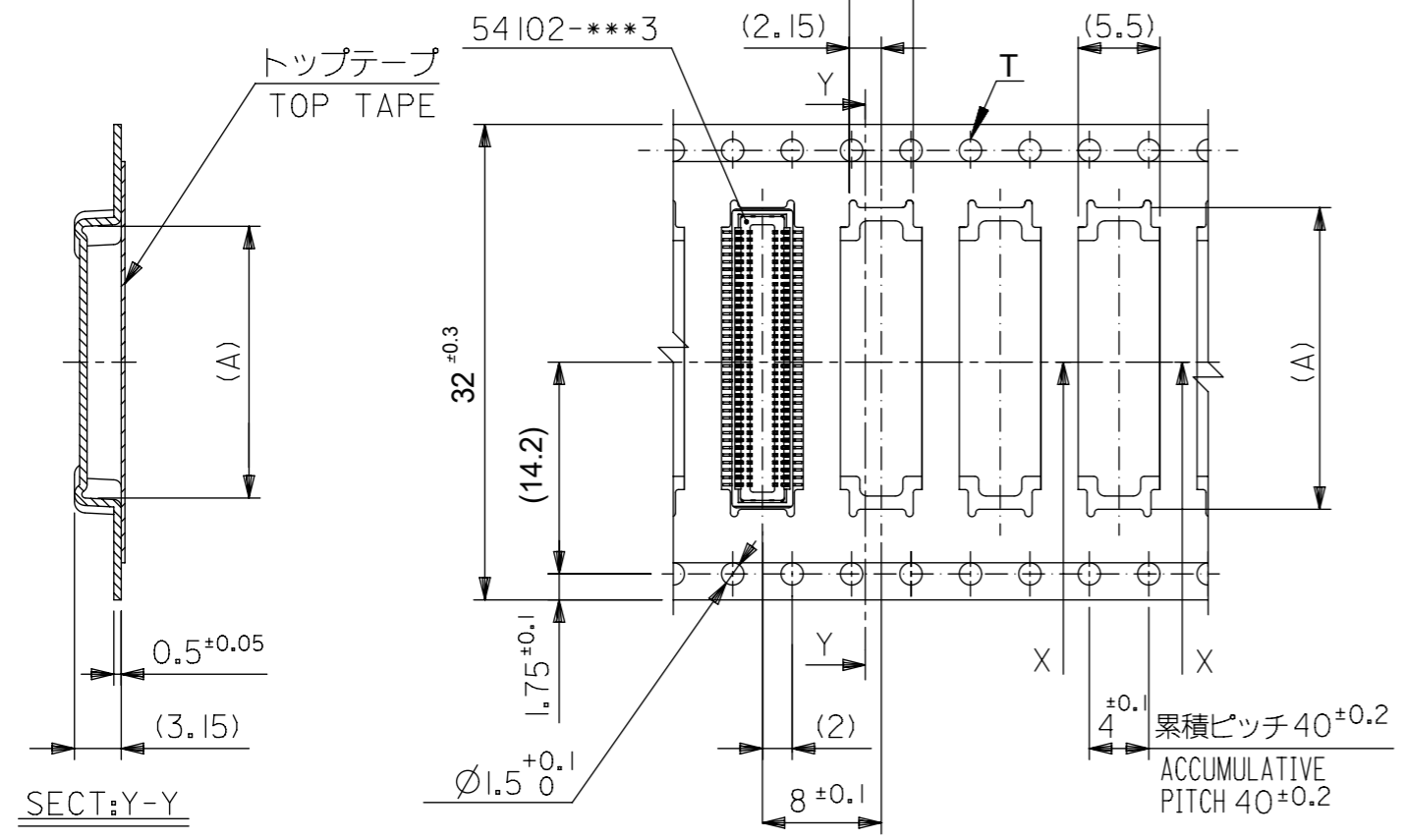
- NOTES**
- 製品詳細寸法については図面 SD-54102-006 を参照下さい。
DETAIL DIMENSION, SEE SD-54102-006
 - 梱包数量：3000個/リール
NUMBER OF CONNECTORS : 3000PCS/REEL
 - リードテープ長さ LEAD TAPE LENGTH
20PCS. MIN. トップテープ接着部 (空エンボス)
TOP TAPE BONDED PART. (EMPTY)
部品挿入部
COMPONENT SUPPLIER
末端部 (空部)
TAIL PART (EMPTY)
40 MIN.
 - カバーテープの剥離強度については、IEC 60286-3に準拠
COVER TAPE PEEL FORCE IS DEFINED BY IEC60286-3.
 - 材料 (MATERIAL)
キャリアテープ (CARRIER TAPE) : ポリプロピレン (POLYPROPYLENE)
トップテープ (TOPTAPE) : PET, PE, PEF
リール (REEL) : ポлистиレン (PS) <リサイクル材を含む>
POLYSTYRENE (PS) <RECYCLE MATERIAL CONTAINED>



THIS DRAWING CONTAINS INFORMATION THAT IS PROPRIETARY TO MOLEX ELECTRONIC TECHNOLOGIES, LLC AND SHOULD NOT BE USED WITHOUT WRITTEN PERMISSION		CURRENT REV DESC: REVISED		molex	
0.5 MM PITCH B-TO-B CONN. HEIGHT = 2.5 RECEPTACLE EMBOSS TAPE PACKAGE		PRODUCT CUSTOMER DRAWING			
GENERAL TOLERANCES (UNLESS SPECIFIED)		EC NO: 642297 DRWN: BJAYARAM CHK'D: HSHIMUYAMA APPR: SHOSHIKAWA		DOCUMENT NUMBER SD-54102-007	
GENERAL TOLERANCES (UNLESS SPECIFIED)		INITIAL REVISION: DRWN: YSAKIYAMA APPR: MSASAO		DOC TYPE DOC PART REVISION PSD 001 C	
DRAFT WHERE APPLICABLE MUST REMAIN WITHIN DIMENSIONS		THIRD ANGLE PROJECTION		SHEET NUMBER 1 OF 4	

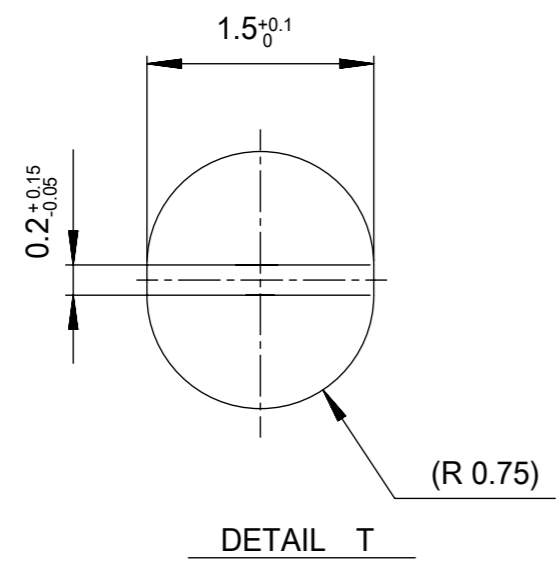
引き出し方向
PULL OUT DIRECTION

引き出し方向
PULL OUT DIRECTION



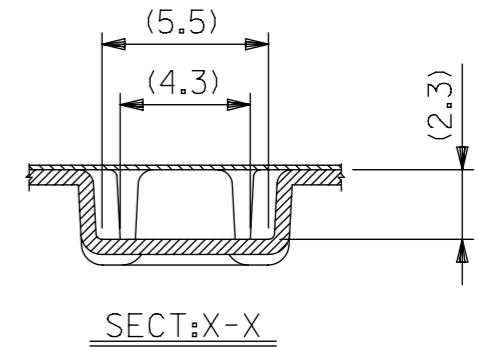
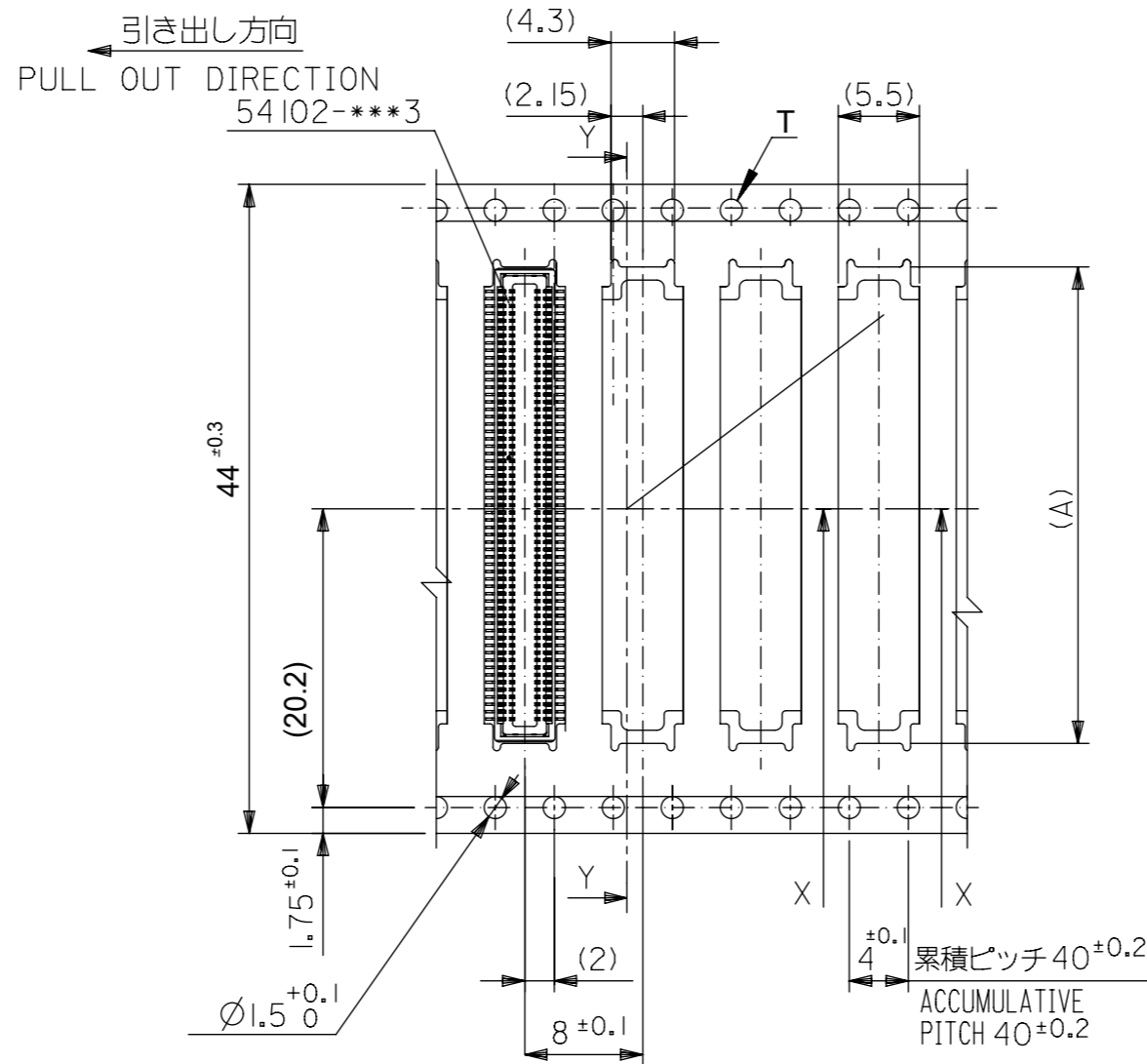
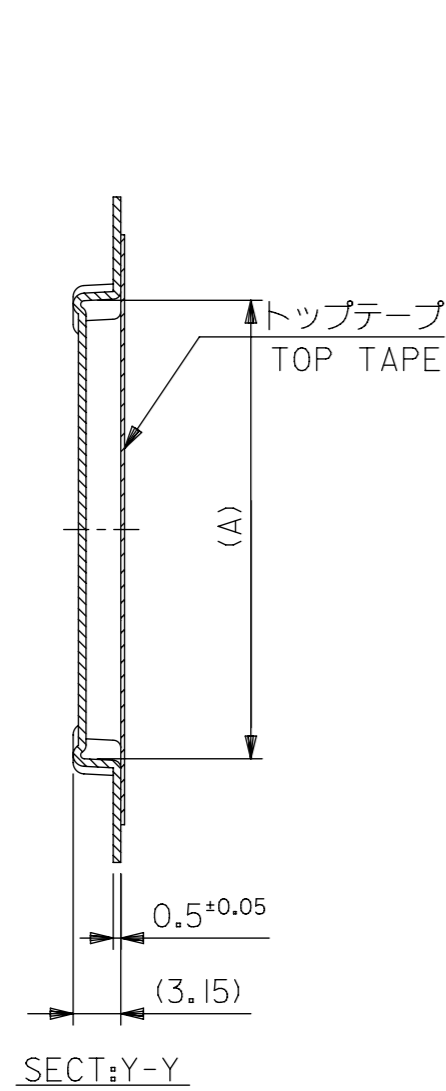
32mm幅キャリアテープ
32mm WIDTH CARRIER TAPE

24mm幅キャリアテープ
24mm WIDTH CARRIER TAPE

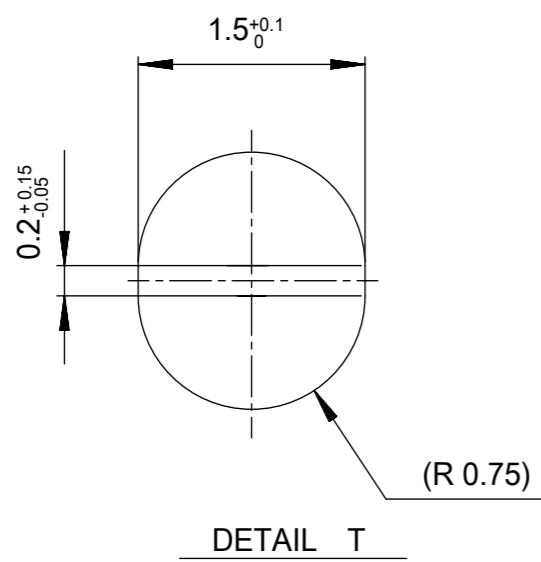


32	37.4	33.4	20.3	54102-0704	70
			17.8	54102-0604	60
24	29.4	25.4	15.3	54102-0504	50
			12.8	54102-0404	40
			10.3	54102-0304	30
キャリアテープ幅 CARRIER TAPE WIDTH	E	D	(A)	EMBOSSED TAPE PACKAGE オーダー番号 ORDER No.	極数 CIRCUITS

THIS DRAWING CONTAINS INFORMATION THAT IS PROPRIETARY TO MOLEX ELECTRONIC TECHNOLOGIES, LLC AND SHOULD NOT BE USED WITHOUT WRITTEN PERMISSION		CURRENT REV DESC: REVISED		molex	
DIMENSION UNITS mm	SCALE NTS				
GENERAL TOLERANCES (UNLESS SPECIFIED)		ANGULAR TOL ± 30°		EC NO: 642297	
10 ^{UNDER}	±0.2	4 PLACES	± 0.2	DRWN: BJAYARAM	2020/09/09
10 ^{OVER} 30 ^{UNDER}	±0.25	3 PLACES	± 0.25	CHK'D: HSHIMOYAMA	2020/11/30
30 ^{OVER}	±0.3	2 PLACES	± 0.3	APPR: SHOSHIKAWA	2020/11/30
ANGULAR ±3°		1 PLACE	±	INITIAL REVISION:	
DRAFT WHERE APPLICABLE MUST REMAIN WITHIN DIMENSIONS		0 PLACES	±	DRWN: YSAKIYAMA	2004/05/07
		THIRD ANGLE PROJECTION		APPR: MSASAO	2004/05/12
		DRAWING	SERIES	DOCUMENT NUMBER	
		A3-SIZE	54102	SD-54102-007	
		MATERIAL NUMBER		DOC TYPE	DOC PART
		SEE TABLE		PSD	001
		CUSTOMER		REVISION	C
		GENERAL		SHEET NUMBER	
				3 OF 4	



44mm幅キャリアテープ
44mm WIDTH CARRIER TAPE



44	49.4	45.4	22.8	54102-0804	80
キャリアテープ幅 CARRIER TAPE WIDTH			E	D	(A)
				EMBOSSED TAPE PACKAGE	極数 CIRCUITS
				オーダー番号 ORDER No.	

THIS DRAWING CONTAINS INFORMATION THAT IS PROPRIETARY TO MOLEX ELECTRONIC TECHNOLOGIES, LLC AND SHOULD NOT BE USED WITHOUT WRITTEN PERMISSION

mm NTS

GENERAL TOLERANCES (UNLESS SPECIFIED)

ANGULAR TOL ± 30°

4 PLACES ± 0.2

3 PLACES ± 0.25

2 PLACES ± 0.3

1 PLACE ±

0 PLACES ±

GENERAL TOLERANCES (UNLESS SPECIFIED)

10^{UNDER} ± 0.2

10^{OVER} 30^{UNDER} ± 0.25

30^{OVER} ± 0.3

ANGULAR ± 3°

DRAFT WHERE APPLICABLE MUST REMAIN WITHIN DIMENSIONS

DRAFT WHERE APPLICABLE MUST REMAIN WITHIN DIMENSIONS

THIRD ANGLE PROJECTION

DRAWING

SERIES

MATERIAL NUMBER

CUSTOMER

SHEET NUMBER

EC NO: 642297

DRWN: BJAYARAM

CHK'D: HSHIMUYAMA

APPR: SHOSHIKAWA

INITIAL REVISION:

DRWN: YSAKIYAMA

APPR: MSASAO

2020/09/09

2020/11/30

2020/11/30

2004/05/07

2004/05/12

DOCUMENT NUMBER

DOC TYPE

DOC PART

REVISION

molex

0.5 MM PITCH B-TO-B CONN.
HEIGHT = 2.5 RECEPTACLE EMBOSS TAPE PACKAGE

PRODUCT CUSTOMER DRAWING

SD-54102-007

PSD 001 C

SEE TABLE

GENERAL

4 OF 4