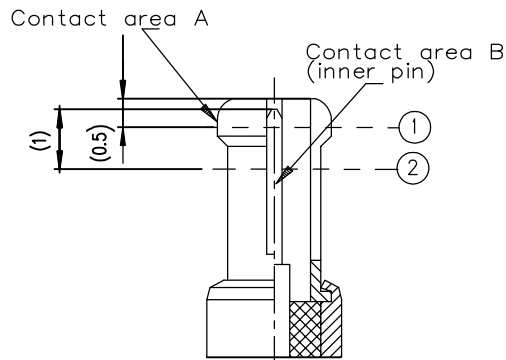
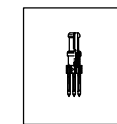
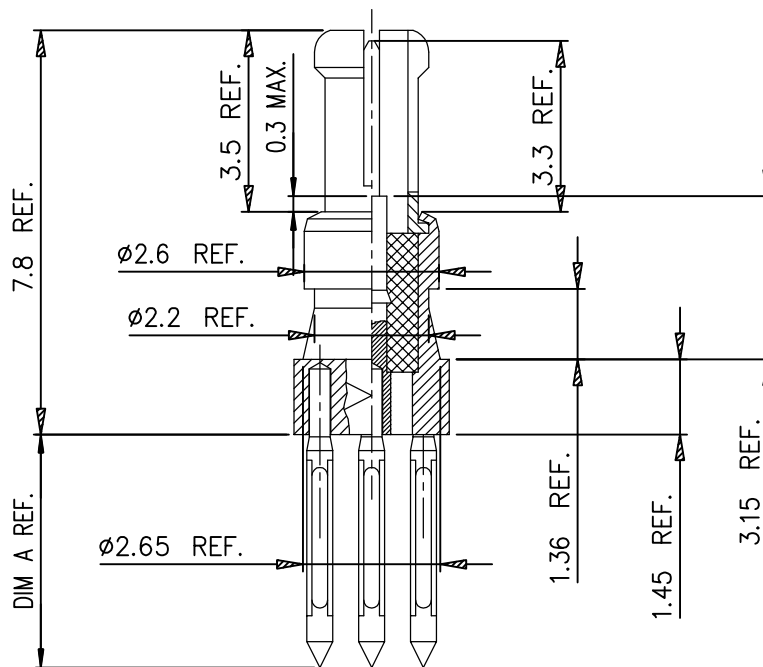


LEAD FREE-P/N	DIM A
88978-001LF	4.7
88978-002LF	4.0

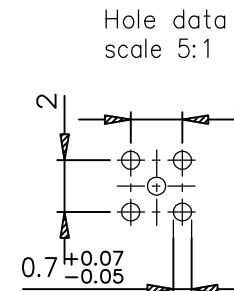
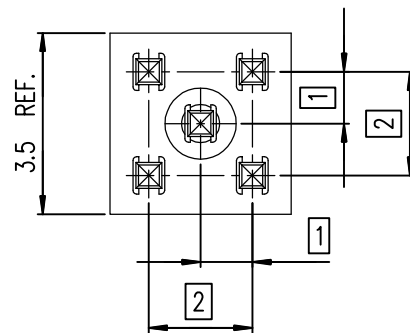


1.27µm Au Min.(See note 4)	
Area A	Position 1
Area B	Positions 2

Plating on contact area



Scale 1:1



European Views

1. THIS PRODUCT MEETS EUROPEAN UNION DIRECTIVES AND OTHER COUNTRY REGULATIONS AS DESCRIBED IN GS-47-0004.
2. THE PRODUCT IS NOT INTENDED TO BE EXPOSED TO A MANUFACTURING SOLDER PROCESS.
3. PACKAGING SPEC: SEE GS-14-920.
4. RECOMMENDED MEASUREMENT DEVICE : X-RAY PER RECOMMENDED PRACTICE RP-GL-TERP-M-0232. MEASURED AREAS SHOULD NOT BE DAMAGED.

rev	ecn no	dr	date
B	H70602	DDB	97/09/17
C	0G05-0438	CLU	05/11/03
D	LS06-0022	LGO	D-Andrews
E	LS08-0057	LGO	2008/02/18
F	B-17802	APA	2014/05/28
-	-	-	-
-	-	-	-

www.fciconnect.com		surface ISO 1302	tolerance std ISO 406 ISO 1101	projection mm
TOLERANCES UNLESS OTHERWISE SPECIFIED				
Dr	D.ANDREWS	93/06/25	ANGULAR	LINEAR
Eng	D.Andrews	93/06/25	0.X	±0.1
Chr	H.Bouwknegt	93/08/20	0.XX	±0.1
Appr	D.Andrews	93/08/20	0.XXX	±0.1
Product family			METRAL	Spec ref -
title Mini Coax MALE PRESS-FIT TO B.P.				Rev. F
catalog no				88978
CUSTOMER				sheet 1 of 1