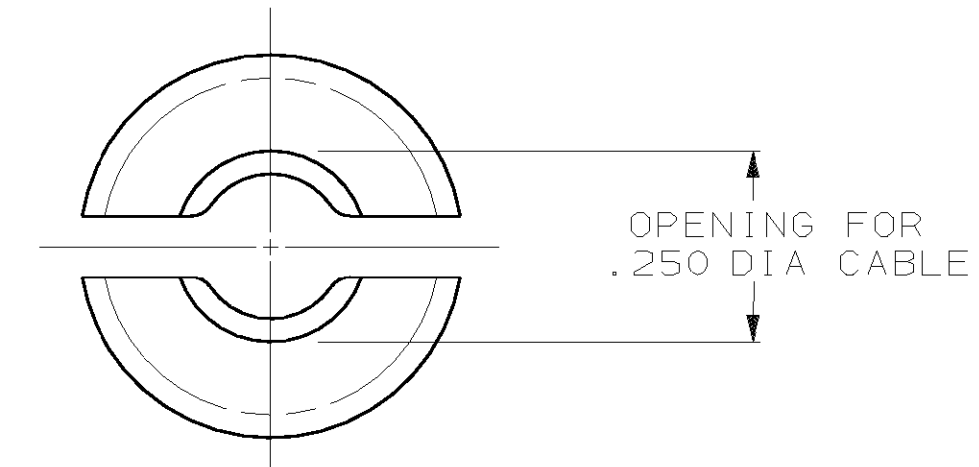
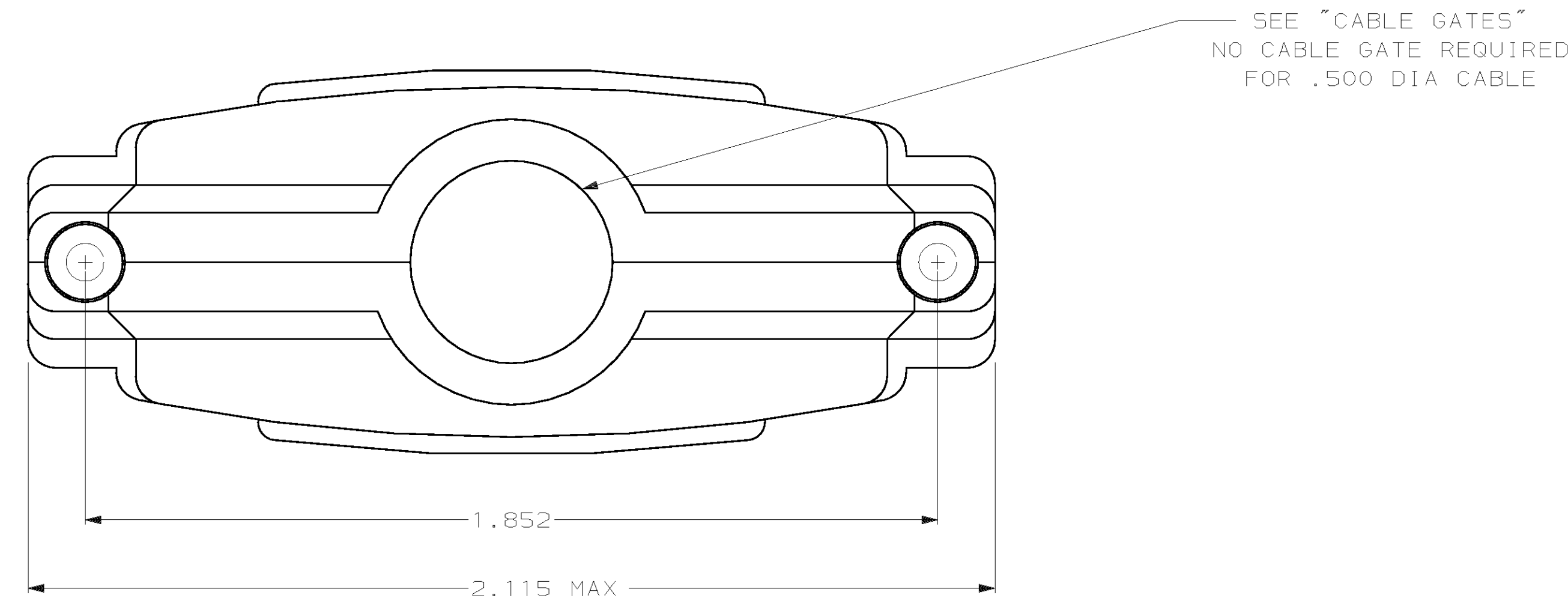
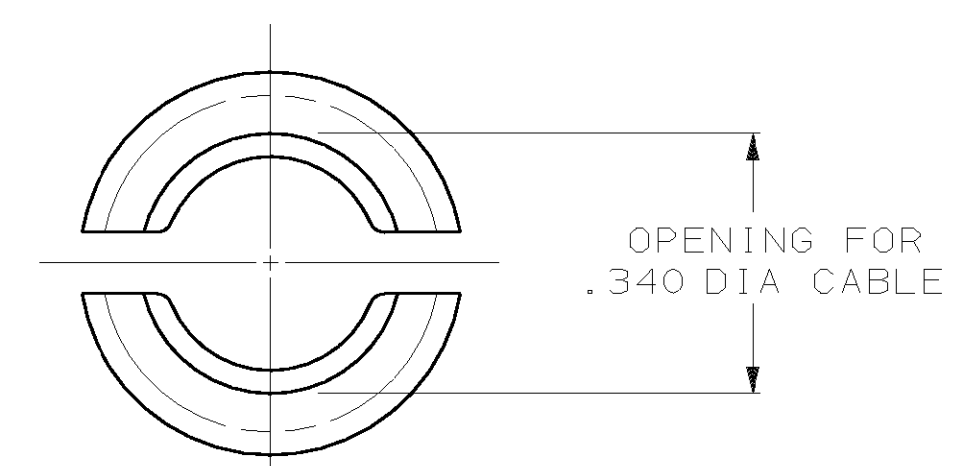


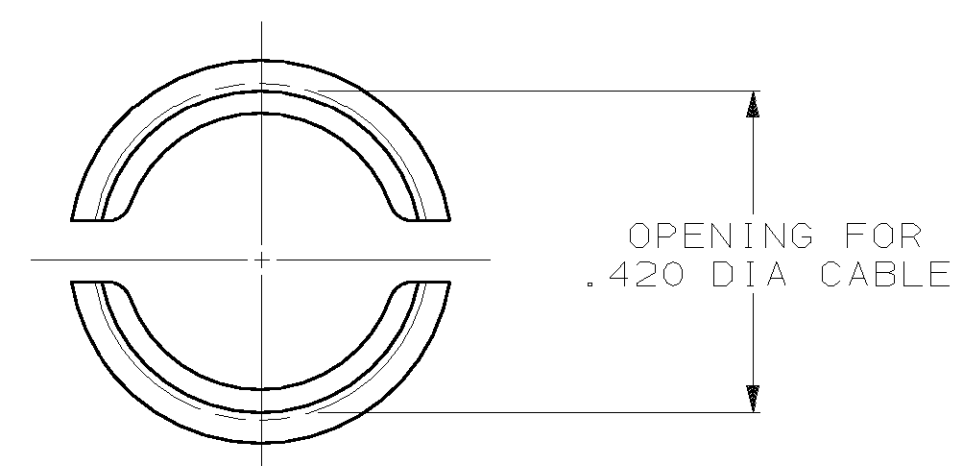
LOC		DIST		REVISONS		DATE	APPD
BD	77	P	F	ZONE	LTR		
				A	REDRAWN ON CAD	5/7/90	-
				B	REV PER EC 0020-246-94	05/16/94	PR
				C	OBS -1 PER EC 001D-0244-00	09 OCT 00	DK



SET 3A

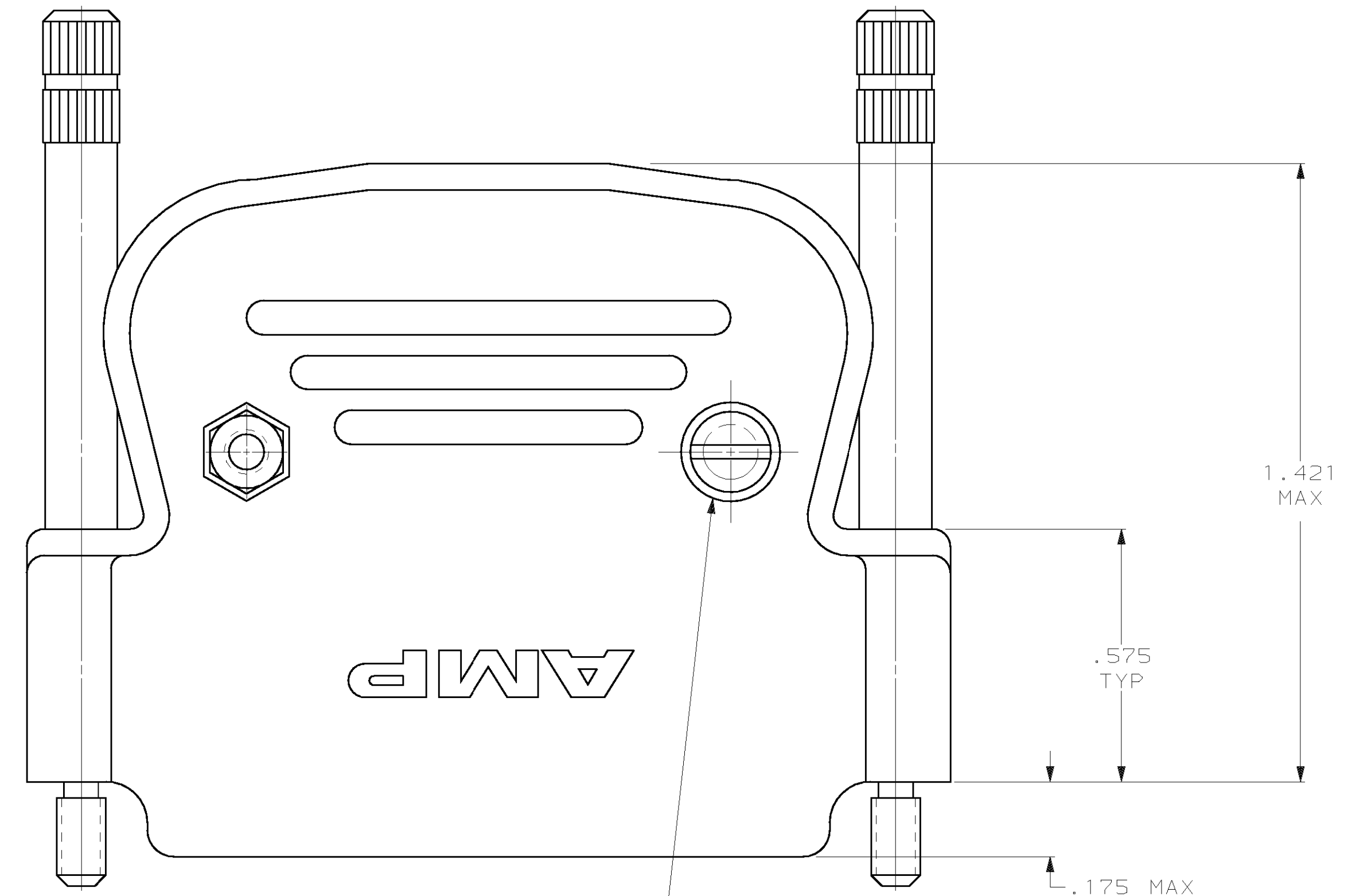


SET 3B

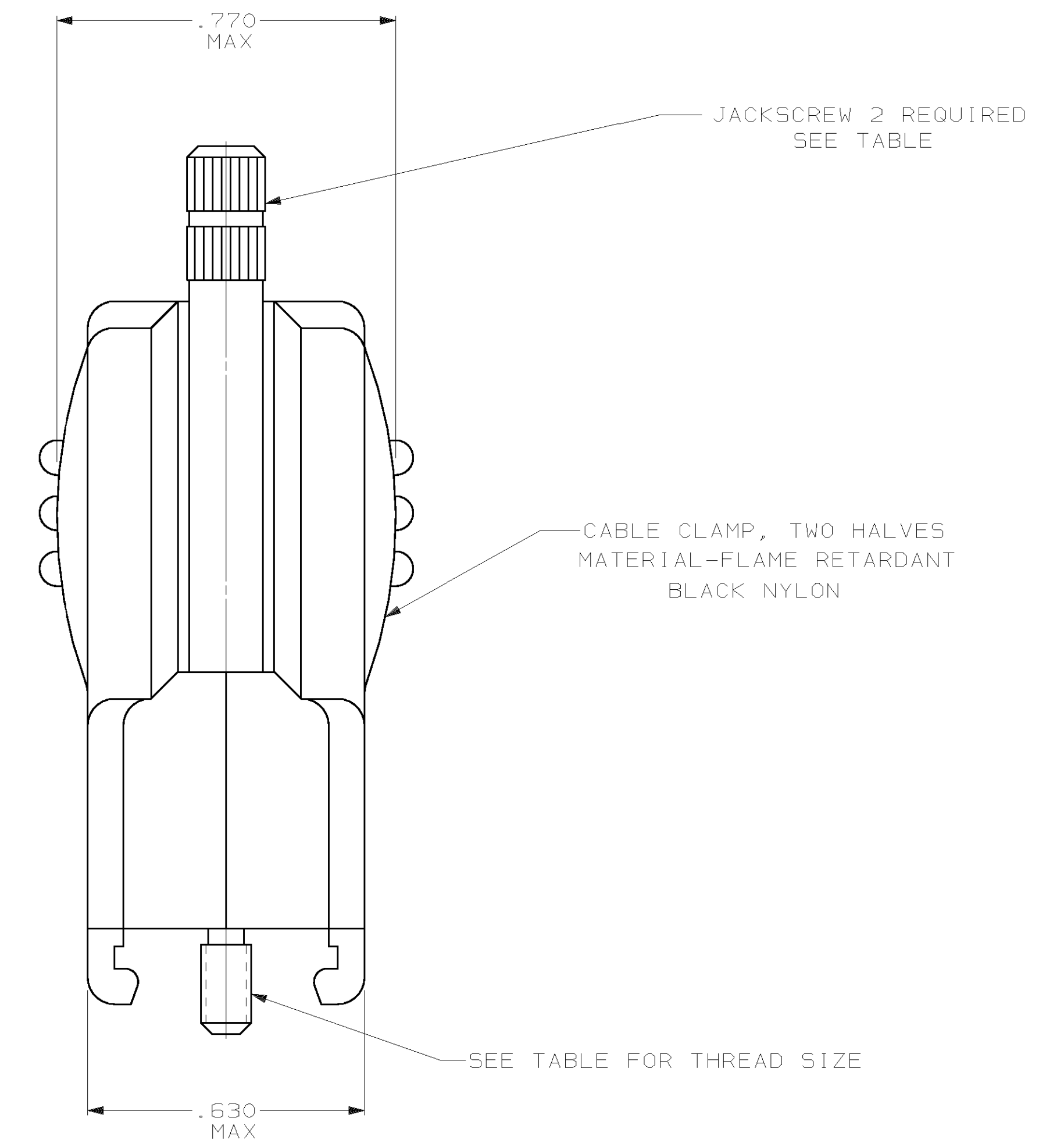


SET 3C

CABLE GATES



#4-40 x .500 LONG STEEL  
 FIL HEAD SCREW & HEX NUT  
 2 PLACES, PLATED CLEAR  
 ZINC PER QQ-Z-325



	4-40	PASSIVATED	STAINLESS STEEL	745121-2
OBSOLETE	M3 x 0.5	△	STEEL	745121-1
	SCREW THREAD	FINISH	MATERIAL	PART NO.
	JACKSCREW			

- 1. PARTS PACKAGED UNASSEMBLED.
- 2. ZINC PER QQ-Z-325, BLACK.

DO NOT SCALE PRINT. UNLESS SPECIFIED DIMENSIONS IN INCHES TOLERANCES ON:		DR 5/7/90 A. STAUB BG		AMP INCORPORATED Harrisburg, Pa. 17105	
2 PLC DEC ± .005		CHK 6-15-90 W.G. LENKER			
3 PLC DEC ± .005		APPD 7-10-90 J. WESTMAN		NAME	
ANGLES ± -		APPD 7-16-90 J. ASSINI		STRAIN RELIEF ASSEMBLY, SIZE 3, 25 POSITIONS, AMPLIMITE	
MATERIAL	SEE CALLOUT	PRODUCT SPEC	-	SIZE	D
FINISH	SEE CALLOUT	APPLICATION SPEC	-	FSCM NO	00779
		WEIGHT	-	DRAWING NO	745121
				SCALE	4:1
				SHEET	1 OF 1