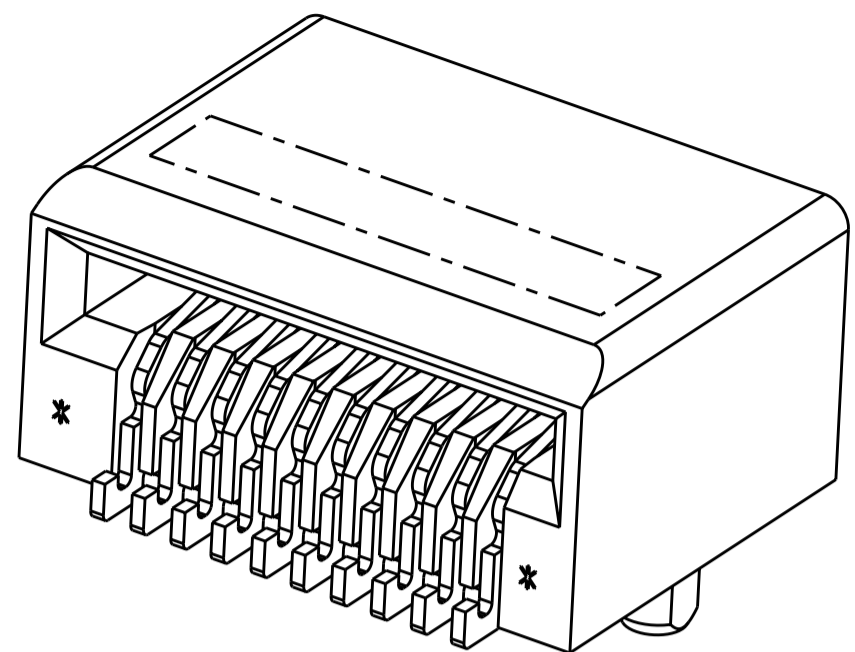
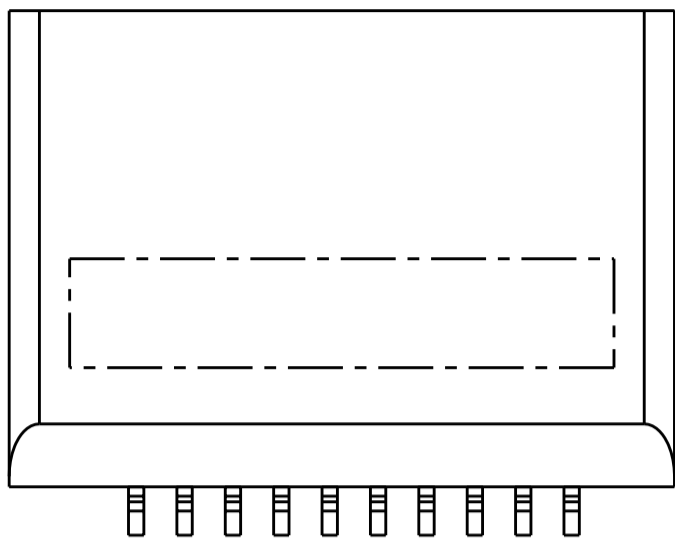


THIS DRAWING IS UNPUBLISHED. RELEASED FOR PUBLICATION 20
 © COPYRIGHT 20 BY - ALL RIGHTS RESERVED.

| LOC | | DIST | | REVISIONS | | | |
|-----|-----|---------------------|-----------|-----------|------|--|--|
| P | LTR | DESCRIPTION | DATE | DWN | APVD | | |
| 1 | | PRELIMINARY RELEASE | 31OCT2011 | TX | CW | | |
| 2 | | REVISED THE DRAWING | 22MAR2012 | TX | AC | | |

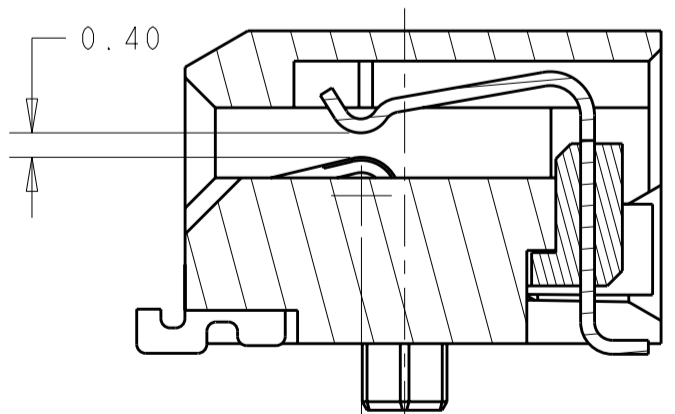
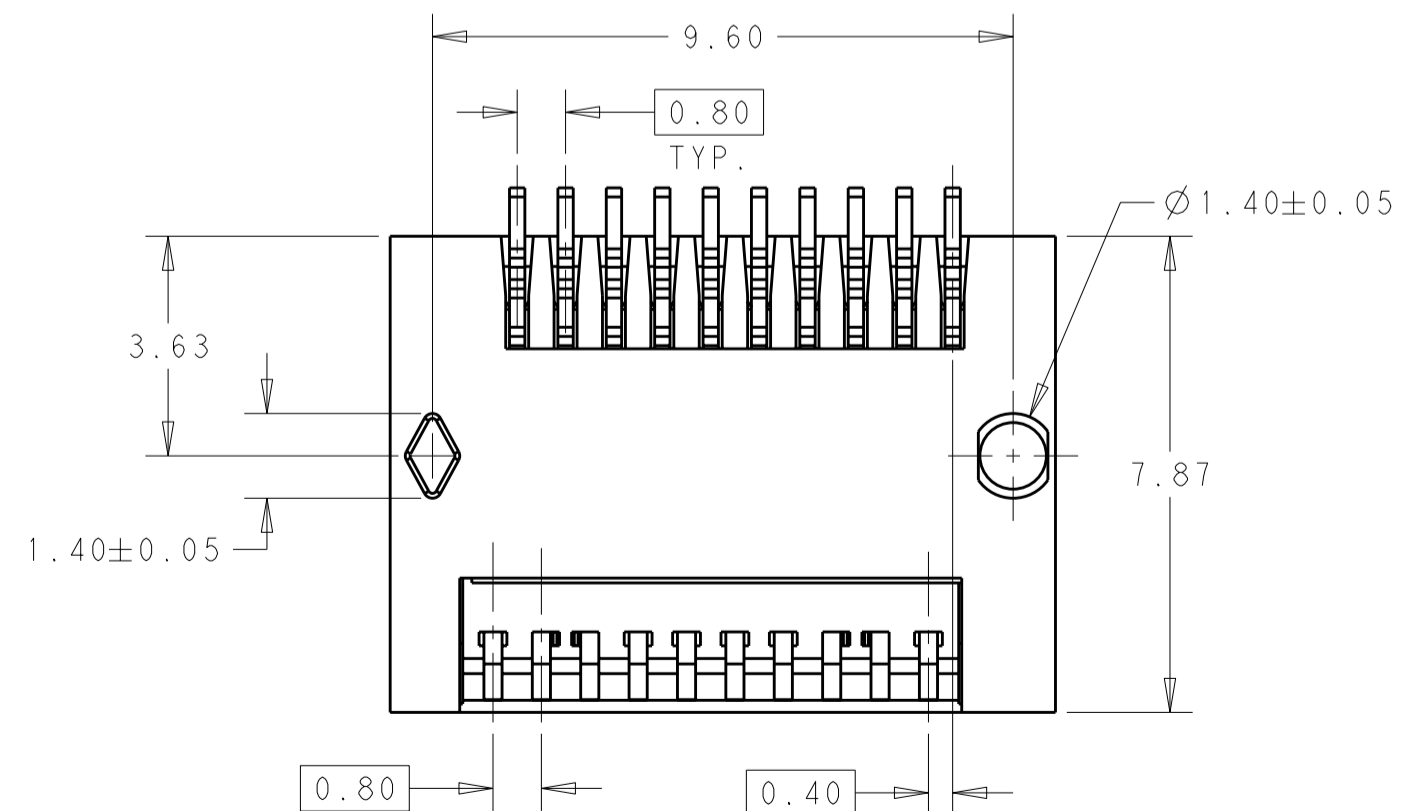
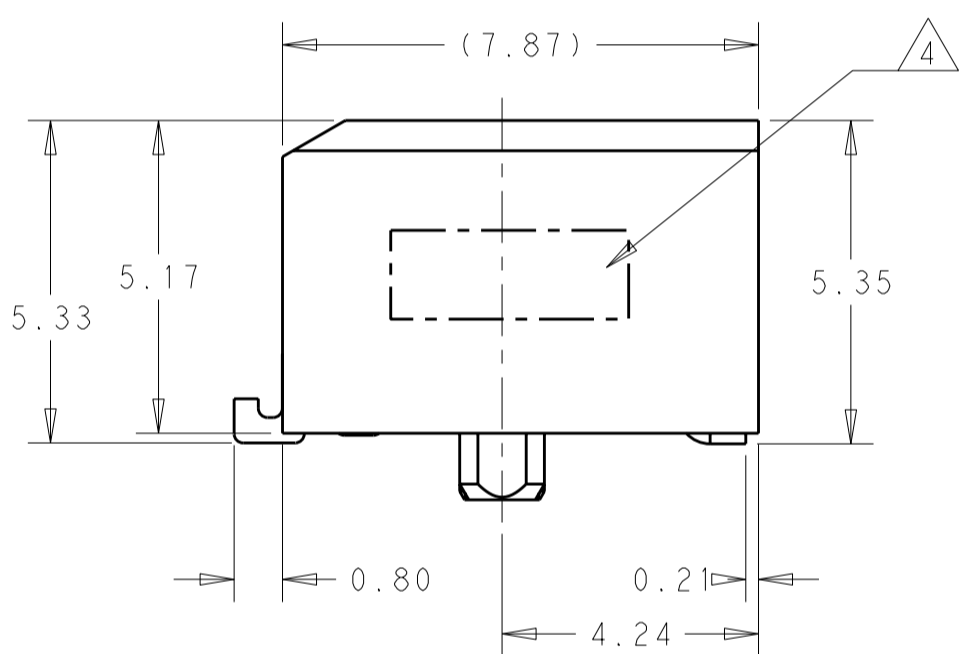
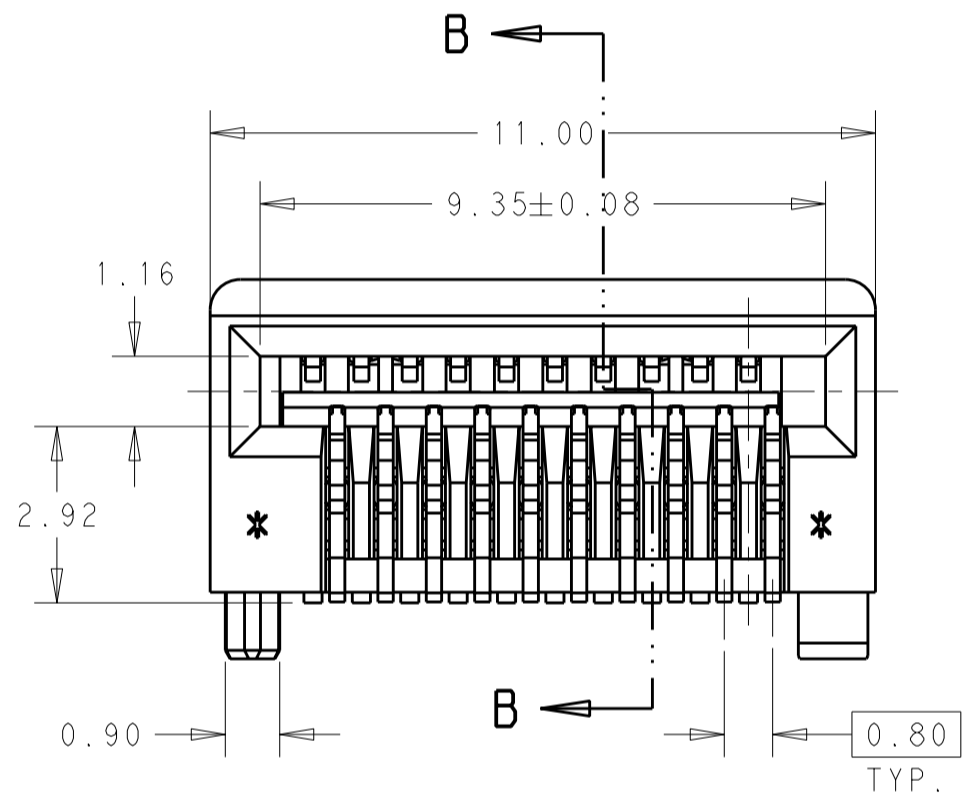


1 MATERIAL:
 CONTACT: COPPER ALLOY
 HOUSING: THERMOPLASTIC

2 FINISH:
 UNDERPLATING: 2.54um MIN NICKEL UNDERPLATING
 SOLDER AREA: GOLD FLASH OVER NICKEL
 CONTACT AREA: 0.76um MIN GOLD OVER NICKEL

3 FINISH:
 UNDERPLATING: 2.54um MIN NICKEL UNDERPLATING
 SOLDER AREA: GOLD FLASH OVER NICKEL
 CONTACT AREA: 0.08um MIN GOLD OVER 0.68 um PALLADIUM-NICKEL

4 DATE CODE MARKED IN THIS AREA.



SECTION B-B

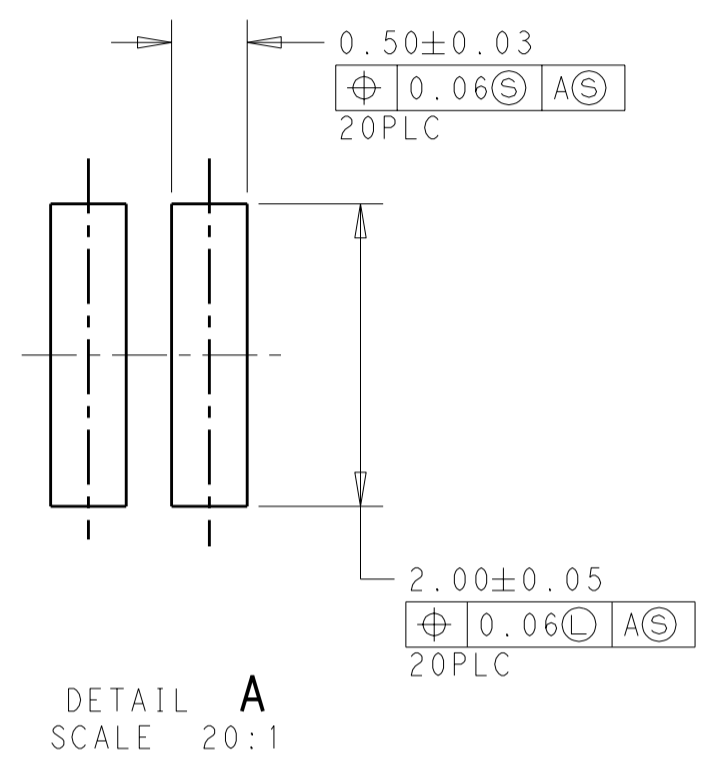
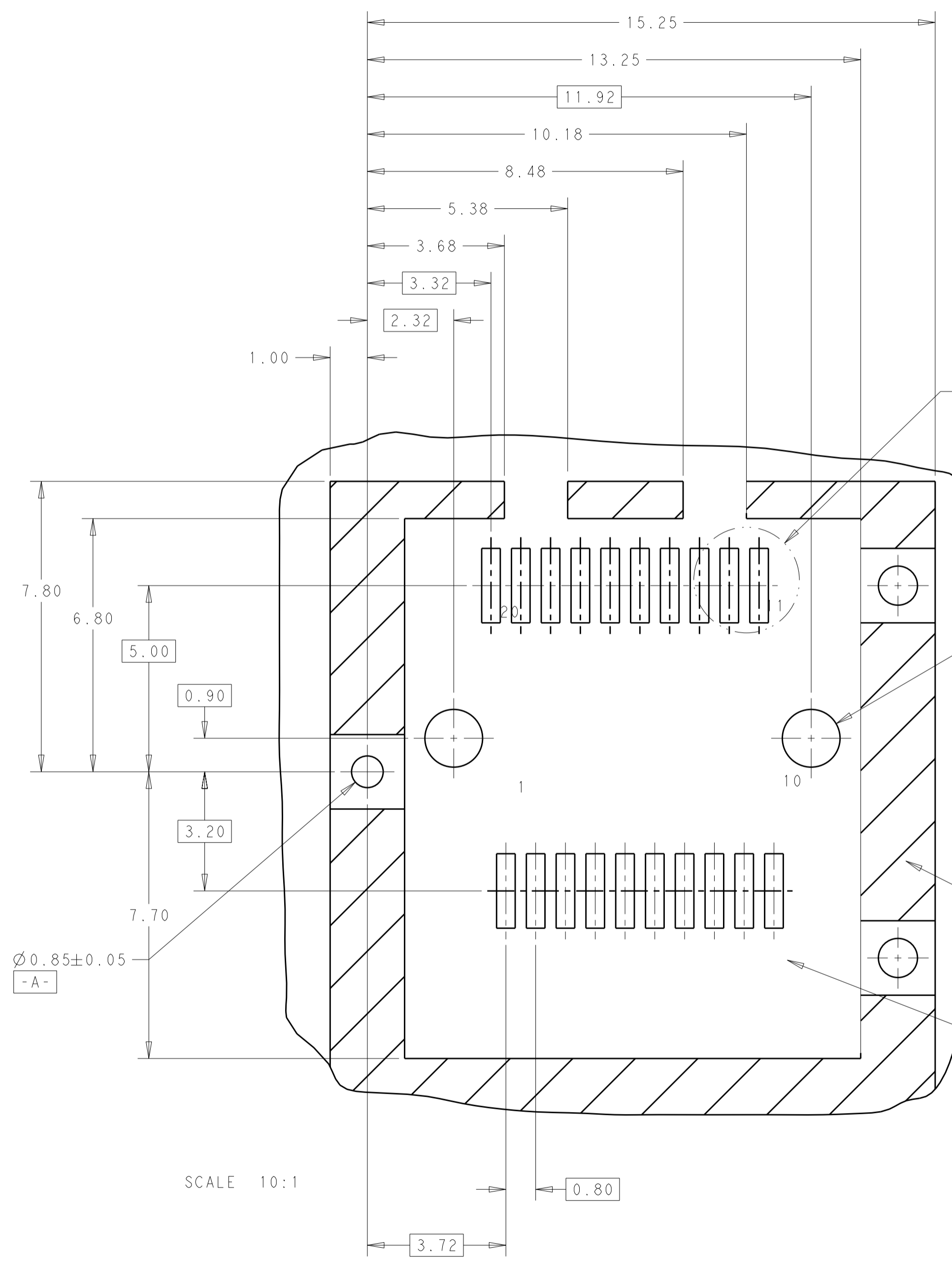
THIS PRINT IS
PRELIMINARY
 UNQUALIFIED PRODUCT
 CONTACT PRODUCT ENGINEERING
 BEFORE USING THIS PRINT

| | |
|--------|-------------|
| 3 | 2170164-2 |
| 2 | 2170164-1 |
| FINISH | TE PART NO. |

| | | | | | | | |
|--|--|------------------|---------|-------------------|------------------|--|--|
| THIS DRAWING IS A CONTROLLED DOCUMENT. | | DWN | TIM XUE | 31OCT2011 | TE Connectivity | | |
| DIMENSIONS: | | CHK | C. WANG | 31OCT2011 | NAME | | |
| mm | | APVD | C. WANG | 31OCT2011 | ASSEMBLY DRAWING | | |
| TOLERANCES UNLESS OTHERWISE SPECIFIED: | | PRODUCT SPEC | | SMT, 20POS, ZSFP+ | | | |
| 0 PLC ±- | | APPLICATION SPEC | | - | | | |
| 1 PLC ±0.25 | | WEIGHT | | - | | | |
| 2 PLC ±0.13 | | SCALE | | 8:1 | | | |
| 3 PLC ±- | | SHEET | | 1 OF 2 | | | |
| 4 PLC ±- | | REV | | 2 | | | |
| ANGLES ±- | | CUSTOMER DRAWING | | - | | | |
| FINISH | | SIZE | | A200779C-2170164 | | | |
| 1 | | CAGE CODE | | - | | | |
| 2 | | DRAWING NO | | - | | | |
| 3 | | RESTRICTED TO | | - | | | |

THIS DRAWING IS UNPUBLISHED. RELEASED FOR PUBLICATION 20
 © COPYRIGHT 20 BY - ALL RIGHTS RESERVED.

| REVISIONS | | | | | | | |
|-----------|------|---|-----|-------------|------|-----|------|
| LOC | DIST | P | LTR | DESCRIPTION | DATE | DWN | APVD |
| - | - | - | - | SEE SHEET 1 | - | - | - |



CROSS HATCHED AREA DENOTES COMPONENT AND TRACE KEEP-OUT (EXCEPT CHASSIS GROUND)

THIS AREA DENOTES COMPONENT KEEP-OUT (TRACES ALLOWED)

SCALE 10:1

| | | | | |
|--|-------------|------------------------------|---|------------|
| THIS DRAWING IS A CONTROLLED DOCUMENT. | | DWN TIM XUE 31OCT2011 | TE Connectivity | |
| DIMENSIONS: mm | | CHK C. WANG 31OCT2011 | | |
| TOLERANCES UNLESS OTHERWISE SPECIFIED: | | APVD C. WANG 31OCT2011 | NAME ASSEMBLY DRAWING SMT, 20POS, ZSFP+ | |
| 0 PLC ±- | 1 PLC ±0.25 | PRODUCT SPEC | SIZE | |
| 2 PLC ±0.13 | 3 PLC ±- | APPLICATION SPEC | CAGE CODE | DRAWING NO |
| 4 PLC ±- | ANGLES ±- | FINISH | A200779 | C=2170164 |
| MATERIAL | | WEIGHT | RESTRICTED TO | |
| - | | - | - | |
| CUSTOMER DRAWING | | SCALE 8:1 | SHEET 2 OF 2 | REV 2 |