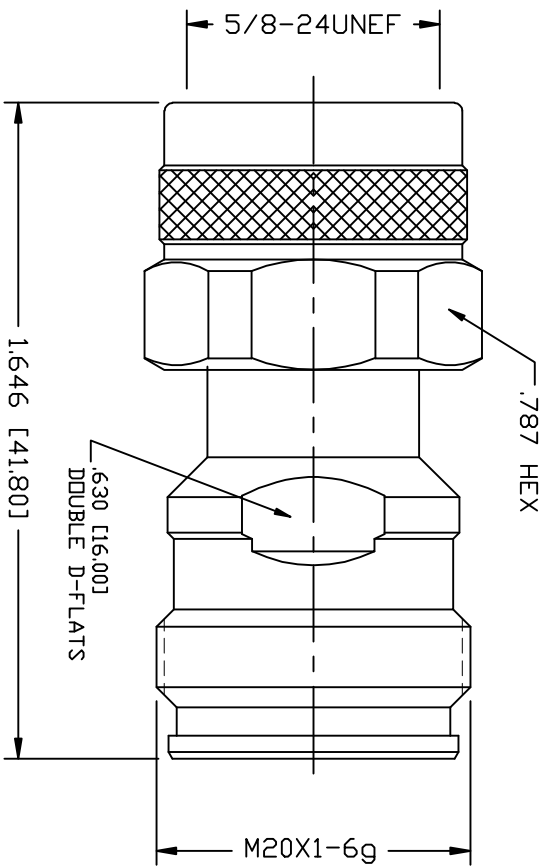


PART NO.		<b>RFD-43F-NM</b>	
REV	DESCRIPTION	DWN	DATE
—	ENGINEERING RELEASE	CZS	05/04/16
		APPROVED	JDMc



**SPECIFICATIONS:**

INTERFACE: IEC61169-54  
 IMPEDANCE: 50 Ohms  
 FREQUENCY RANGE: DC-6 GHz  
 VSWR MAX: <math>\leq 1.15:1 @ 3 \text{ GHz}</math>  
 3rd ORDER IM: <math>S-160 \text{ dBc @ } 1900 \text{ MHz}</math>  
 DIELECTRIC WITHSTANDING VOLTAGE: 2000V/AC  
 INSULATION RESISTANCE: 1000M $\Omega$   
 OPERATING TEMPERATURE: -40° to +155°  
 ROHS COMPLIANT

#	DESCRIPTION	QTY	MATERIAL	FINISH
7	GROUND RING	1	Be.Cu.	WHITE BRONZE
6	GASKET	1	RUBBER	---
5	SHELL	1	BRASS	WHITE BRONZE
4	RETAINING RING	1	Be.Cu.	WHITE BRONZE
3	CONTACT	1	PHOS. BRONZE	SILVER
2	INSULATOR	1	PTFE	---
1	BODY	1	BRASS	WHITE BRONZE

CUSTOMER  
 OUTLINE DRAWING  
 ALL DIMENSIONS  
 ARE REFERENCE ONLY  
 UNLESS OTHERWISE SPECIFIED:  
 DIMENSIONS ARE IN INCHES  
 AND [MILLIMETERS]

DESIGN  
 C. ZUNIGA  
 CHECKED  
 C. ZUNIGA  
 05/04/16

PROPRIETARY AND CONFIDENTIAL  
 THIS DRAWING CONTAINS  
 INFORMATION PROPRIETARY TO  
 RF INDUSTRIES. ANY  
 UNAUTHORIZED USE OF THIS  
 DRAWING IS EXPRESSLY  
 PROHIBITED WITHOUT WRITTEN  
 PERMISSION FROM RF  
 INDUSTRIES. ANY VIOLATION IS  
 PUNISHABLE UNDER U.S.  
 COPYRIGHT LAWS.

**RF Industries**  
 DIVISION OF RF INDUSTRIES, LTD. (858) 549-6346 FAX  
 7610 MIRAMAR RD.  
 SAN DIEGO, CA 92126  
 (858) 549-6340

**4.3/10 FEMALE TO MALE  
 ADAPTER**

SIZE	CABLE GROUP	DWG NO.	REV
A	N/A	<b>RFD-43F-NM</b>	—
SCALE:	ENGINEERING ID:	SHEET	OF
NTS	000000	1	1