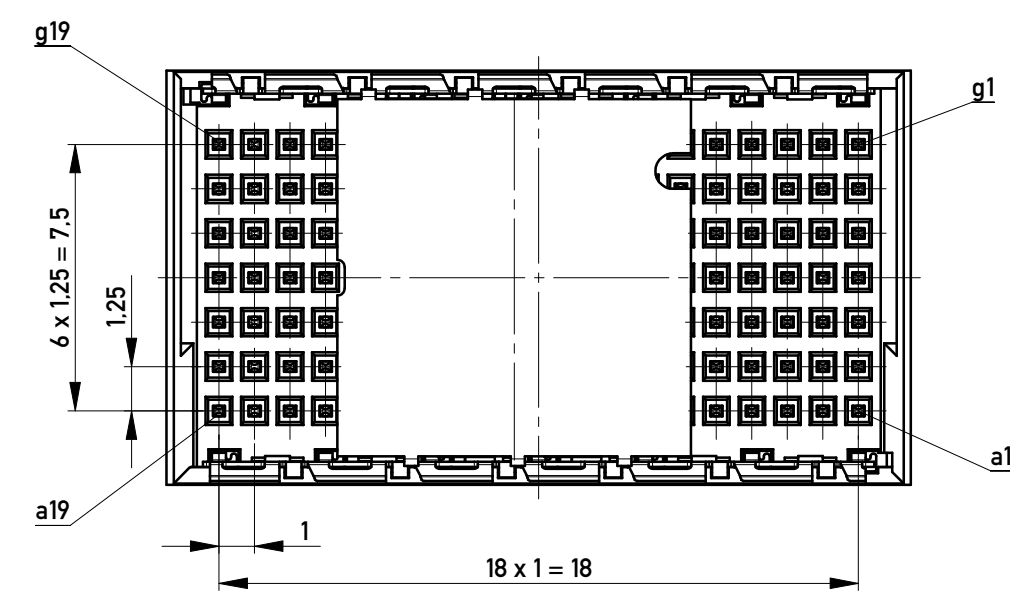
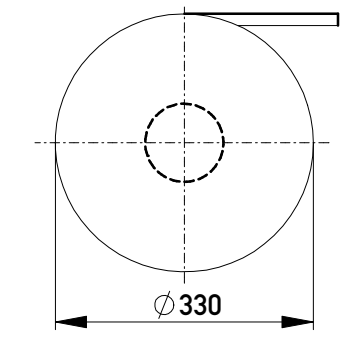
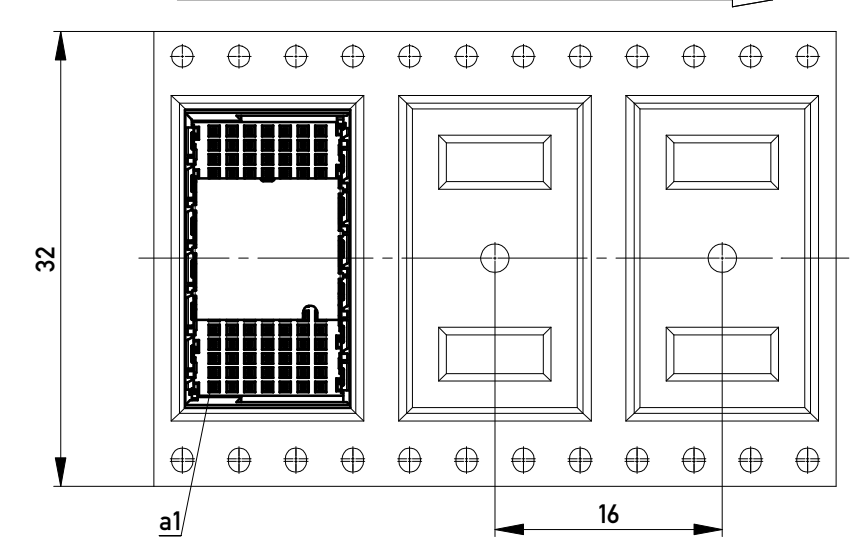


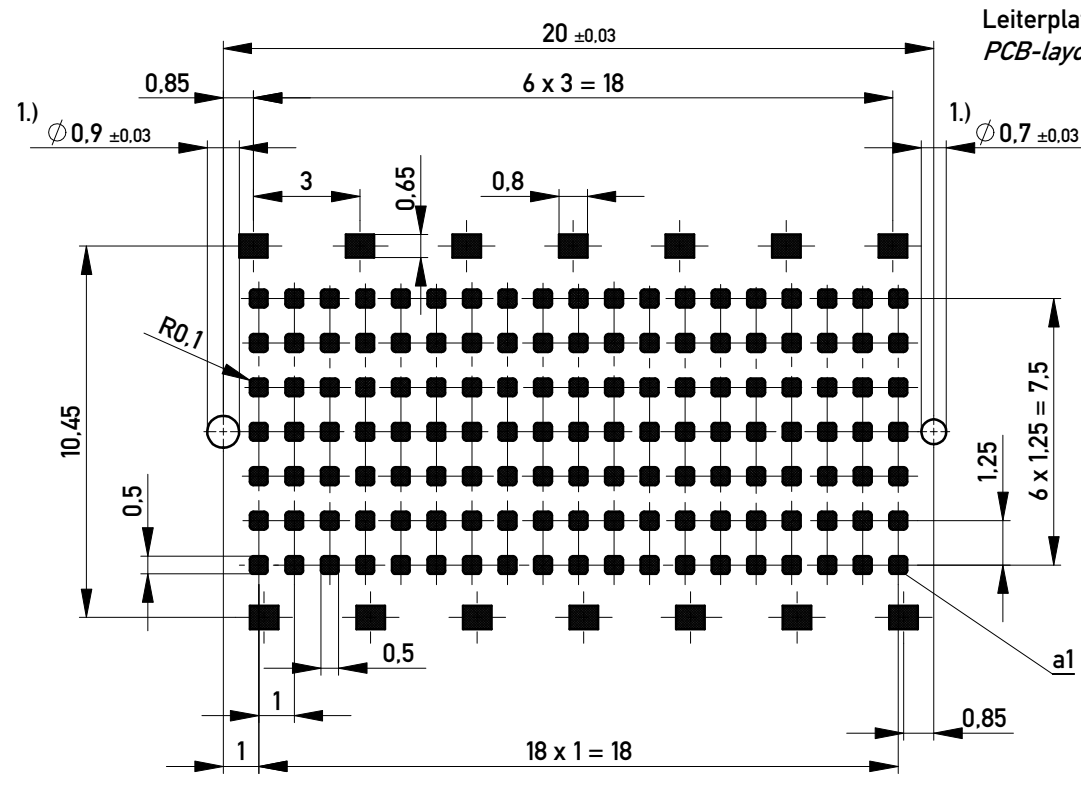
Verpackt in Gurtverpackung  
Tape on Reel Packaging  
Verpackungseinheit: 440 Stück  
Packaging unit: 440 pcs



Abspulrichtung - Reel off Direction



Leiterplatten-Layout Vorschlag  
PCB-layout proposal



- Anforderungsstufe 1  
Performance Level 1
- Kontaktbereich vergoldet  
Mating Area gold plating
- Anschlussbereich verzinkt 4-6 µm  
Terminal Area 4-6 µm tin plating
- Koplanarität der Anschlüsse ≤ 0.1 mm  
Coplanarity Area of Termination ≤ 0.1 mm

1.) Durchmesser des Bohrers  
Drill tool

Information:  All rights reserved. Only for Information. To ensure that this is the latest version of this drawing, please contact one of the ERNI companies before using.	Tolerances  All Dimensions in mm	Scale	5:1
		Designation	Messerleiste SMD, 133-pol. Male Con. SMD, 133 cont.
www.ERNI.com		Class	MSPEED
		Index	31.08.2012 Date
			214355
			I A3

Copyright by ERNI GmbH  
Proprietary notice pursuant to ISO 16016 to be observed.