



**SPECIFICATION FOR APPROVAL**

Customer. \_\_\_\_\_  
Description. DC FAN  
Part No. \_\_\_\_\_ REV. \_\_\_\_\_  
Delta Model No. GFC0624DW-DT48 REV. 00  
Sample Issue No. \_\_\_\_\_  
Sample Issue Date. JUN-22-2013

**PLEASE SEND ONE COPY OF THIS SPECIFICATION  
BACK AFTER YOU SIGNED APPROVAL FOR PRODUC-  
TION PRE-ARRANGEMENT.**

**APPROVED BY :** \_\_\_\_\_

**DATE:** \_\_\_\_\_

**Delta Electronics, Inc.  
HeTianXia High-Tech Industrial Park.  
Shi Jie Town, Dong Guan City.  
Guangdong Province, China. P. R. C.  
TEL : 86-769-86329008  
FAX : 86-769-86631589**

Delta Electronics, Inc.  
HeTianXia High-Tech Industrial Park.  
Shi Jie Town, Dong Guan City.  
Guangdong Province, China. P. R. C.

TEL : 86-769-86329008  
FAX : 86-769-86631589

STATEMENT OF DEVIATION  
\*\*\*\*\*

NONE

DESCRIPTION :

Delta Electronics, Inc.  
 HeTianXia High-Tech Industrial Park.  
 Shi Jie Town, Dong Guan City.  
 Guangdong Province, China. P. R. C.

TEL : 86-769-86329008  
 FAX : 86-769-86631589

SPECIFICATION FOR APPROVAL  
 \*\*\*\*\*

Customer: \_\_\_\_\_

Description: DC FAN \_\_\_\_\_

Customer P/N: \_\_\_\_\_

REV: \_\_\_\_\_

Delta Model NO.: GFC0624DW-DT48 \_\_\_\_\_

Delta Safety Model NO.: GFC0624DW \_\_\_\_\_

Sample Rev: 00 \_\_\_\_\_

Issue NO: \_\_\_\_\_

Sample Issue Date: JUN-22-2013 \_\_\_\_\_

Quantity: \_\_\_\_\_

1. SCOPE:

THIS SPECIFICATION DEFINES THE ELECTRICAL AND MECHANICAL CHARACTERISTICS OF THE DC BRUSHLESS AXIAL FLOW FAN. THE FAN MOTOR IS WITH SINGLE PHASE AND FOUR POLES.

2. CHARACTERS:

ITEM	DESCRIPTION
RATED VOLTAGE	21 VDC
OPERATION VOLTAGE	18.0 - 26.0 VDC
INPUT CURRENT	1.40 (MAX. 2.00) A (SAFETY CURRENT 2.00 A)
INPUT POWER	31.20 (MAX. 48.00) W
SPEED	FRONT 11300/REAR 12500 R.P.M. ±10%
MAX. AIR FLOW (AT ZERO STATIC PRESSURE)	1.996 (MIN. 1.796 ) M <sup>3</sup> /MIN. 69.44 (MIN. 62.50) CFM
MAX. AIR PRESSURE (AT ZERO AIRFLOW)	76.83 (MIN. 62.23) mmH <sub>2</sub> O 3.025 (MIN. 2.450) inchH <sub>2</sub> O
ACOUSTICAL NOISE (AVG.)	71.5 (75.5 MAX.) dBA
INSULATION TYPE	UL: CLASS A

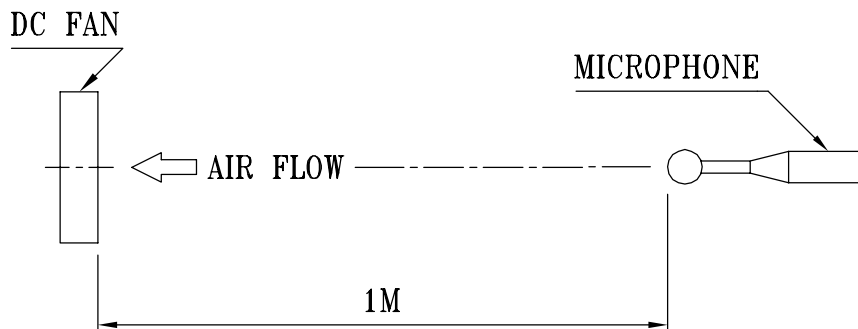
(continued)

PART NO:

DELTA MODEL: GFC0624DW-DT48

INSULATION STRENGTH	10 MEG OHM MIN. AT 500 VDC (BETWEEN FRAME AND (+) TERMINAL)														
DIELECTRIC STRENGTH	5 mA MAX. AT 500 VAC 50/60 Hz ONE MINUTE, (BETWEEN FRAME AND (+) TERMINAL)														
EXTERNAL COVER	OPEN TYPE														
LIFE EXPECTANCE (AT LABEL VOLTAGE)	50,000 HOURS CONTINUOUS OPERATION AT 40 °C WITH 15 ~ 65 %RH.														
ROTATION	TWO FANS ROTATE IN COUNTER DIRECTIONS PLATE SIDE SHOWN IN THE NAME														
OVER CURRENT SHUT DOWN	THE CURRENT WILL SHUT DOWN WHEN LOCKING ROTOR														
LEAD WIRE	<table border="0"> <tr> <td>UL 1061 -F- AWG #24</td> <td></td> </tr> <tr> <td>    INLET FAN</td> <td>    OUTLET FAN</td> </tr> <tr> <td>    RED WIRE (+)</td> <td>    ORANGE WIRE (+)</td> </tr> <tr> <td>    BLACK WIRE (-)</td> <td>    BROWN WIRE (-)</td> </tr> <tr> <td>UL 1061 -F- AWG #26</td> <td></td> </tr> <tr> <td>    YELLOW WIRE (PWM)</td> <td>    WHITE WIRE (PWM)</td> </tr> <tr> <td>    BLUE WIRE (FOO)</td> <td>    GREEN WIRE (FOO)</td> </tr> </table>	UL 1061 -F- AWG #24		INLET FAN	OUTLET FAN	RED WIRE (+)	ORANGE WIRE (+)	BLACK WIRE (-)	BROWN WIRE (-)	UL 1061 -F- AWG #26		YELLOW WIRE (PWM)	WHITE WIRE (PWM)	BLUE WIRE (FOO)	GREEN WIRE (FOO)
UL 1061 -F- AWG #24															
INLET FAN	OUTLET FAN														
RED WIRE (+)	ORANGE WIRE (+)														
BLACK WIRE (-)	BROWN WIRE (-)														
UL 1061 -F- AWG #26															
YELLOW WIRE (PWM)	WHITE WIRE (PWM)														
BLUE WIRE (FOO)	GREEN WIRE (FOO)														

- NOTES: 1. ALL READINGS ARE MEASURED AFTER STABLY WARMING UP THROUGH 10 MINUTES.
2. STANDARD AIR PROPERTY IS AIR AT (Td) 25°C TEMPERATURE, (RH) 65% RELATIVE HUMIDITY, AND (Pb) 760 mmHg BAROMETRIC PRESSURE.
3. THE VALUES WRITTEN IN PARENS , ( ), ARE LIMITED SPEC.
4. ACOUSTICAL NOISE MEASURING CONDITION:



NOISE IS MEASURED AT RATED VOLTAGE IN FREE AIR IN ANECHOIC CHAMBER WITH B & K SOUND LEVEL METER WITH MICROPHONE AT A DISTANCE OF ONE METER FROM THE FAN INTAKE.

-----  
PART NO:  
-----

DELTA MODEL: GFC0624DW-DT48  
-----

3. MECHANICAL:

- 3-1. DIMENSIONS ----- SEE DIMENSIONS DRAWING
- 3-2. FRAME ----- PLASTIC UL: 94V-0
- 3-3. IMPELLER ----- PLASTIC UL: 94V-0
- 3-4. BEARING SYSTEM ----- TWO BALL BEARINGS
- 3-5. WEIGHT ----- 260 GRAMS

4. ENVIRONMENTAL:

- 4-1. OPERATING TEMPERATURE ----- -10 TO +60 DEGREE C
- 4-2. STORAGE TEMPERATURE ----- -40 TO +70 DEGREE C
- 4-3. OPERATING HUMIDITY ----- 5 TO 90 % RH
- 4-4. STORAGE HUMIDITY ----- 5 TO 95 % RH

5. PROTECTION:

5-1. LOCKED ROTOR PROTECTION

IMPEDANCE OF MOTOR WINDING PROTECTS MOTOR FROM FIRE IN 96 HOURS OF LOCKED ROTOR CONDITION AT THE RATED VOLTAGE.

5-2. POLARITY PROTECTION

BE CAPABLE OF WITHSTANDING IF REVERSE CONNECTION FOR POSITIVE AND NEGATIVE LEADS.

6. RE OZONE DEPLETING SUBSTANCES:

- 6-1. NO CONTAINING PBBs, PBBOs, CFCs, PBBEs, PBDPEs AND HCFCs.

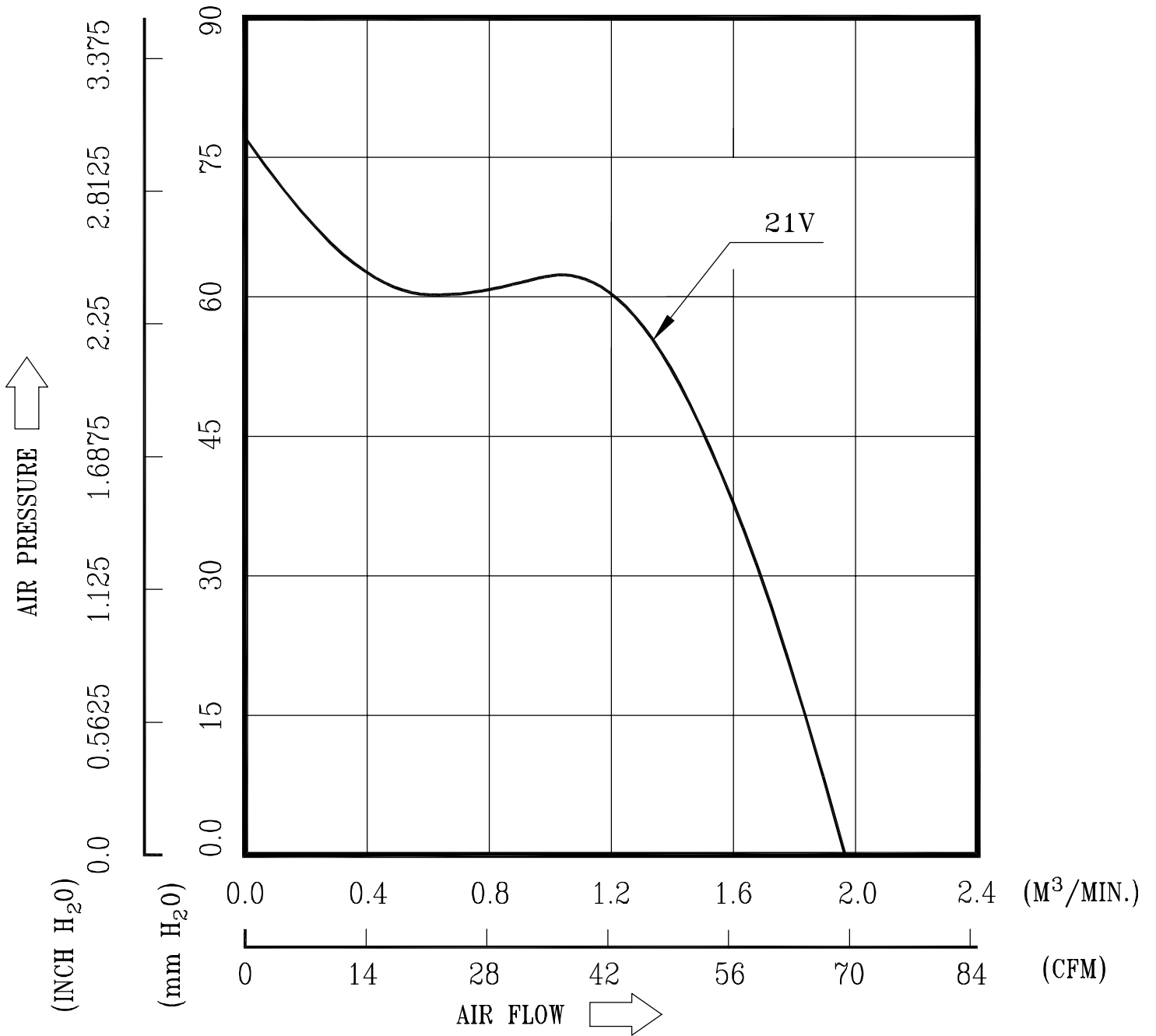
7. PRODUCTION LOCATION

- 7-1. PRODUCTS WILL BE PRODUCED IN CHINA OR THAILAND.

PART NO:

DELTA MODEL: GFC0624DW-DT48

8. P & Q CURVE:



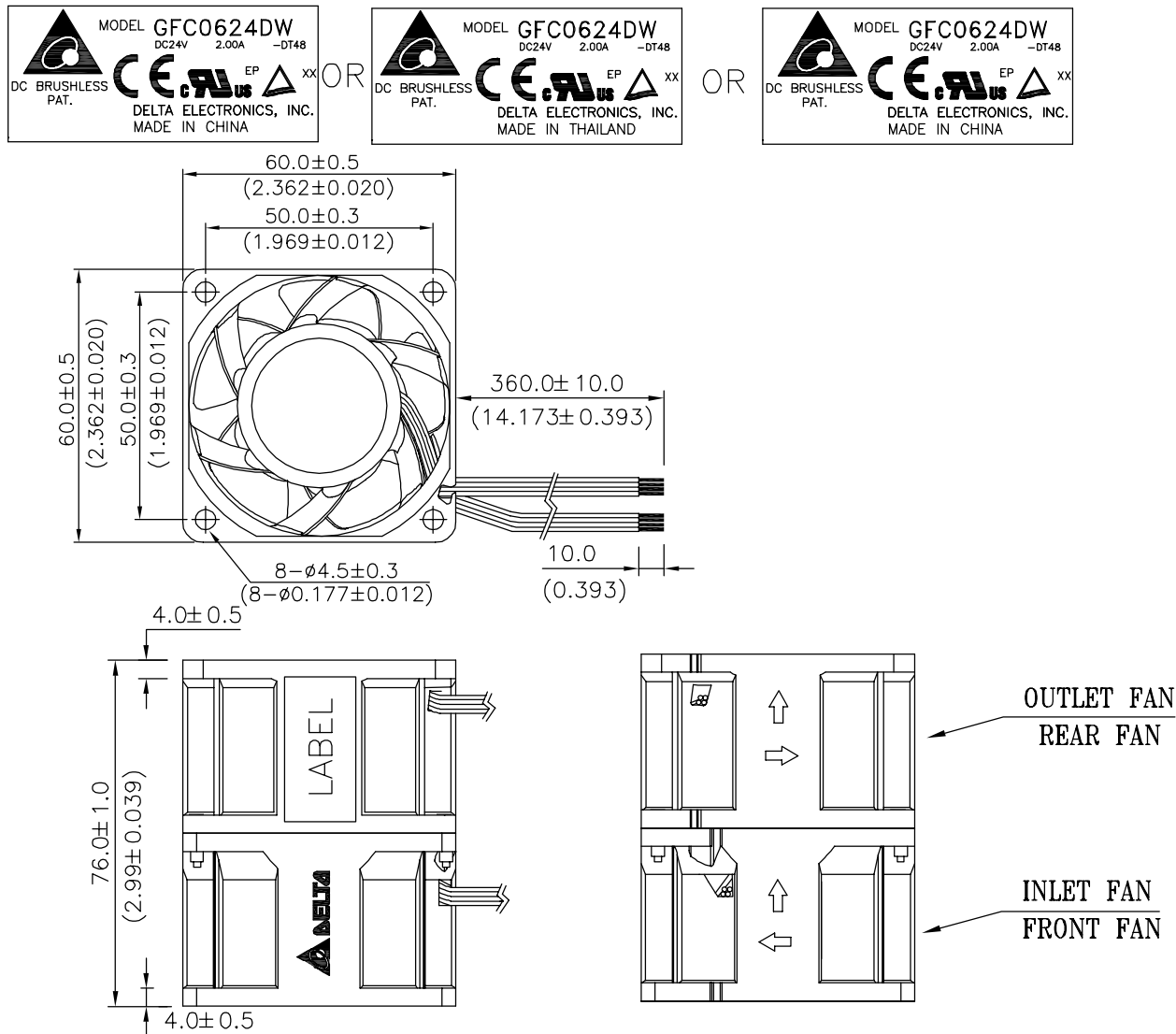
\* TEST CONDITION: INPUT VOLTAGE ----- OPERATION VOLTAGE  
TEMPERATURE ----- ROOM TEMPERATURE  
HUMIDITY ----- 65%RH

PART NO:

DELTA MODEL: GFC0624DW-DT48

9. DIMENSION DRAWING:

LABEL:



UNIT: mm (INCH)

NOTES:

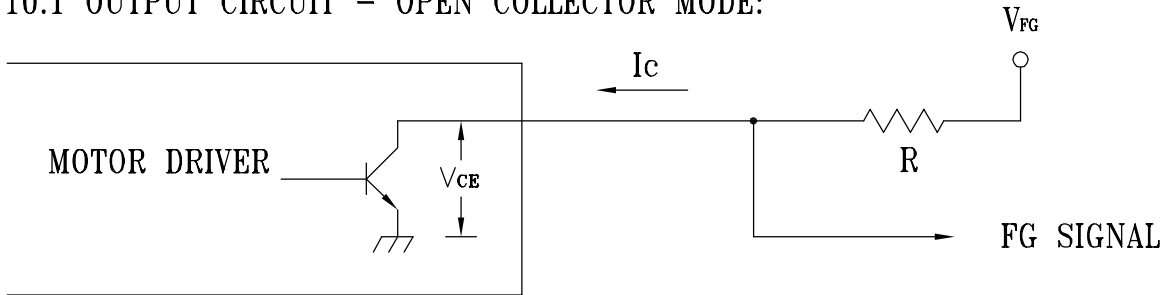
- LEAD WIRE: UL1061 AWG#24  
RED (INLET FAN) & ORANGE (OUTLET FAN) WIRE ----- (+)  
BLACK (INLET FAN) & BROWN (OUTLET FAN) WIRE ----- (-)  
LEAD WIRE: UL1061 AWG#26  
BLUE (INLET FAN) & GREEN (OUTLET FAN) WIRE ----- (FOO)  
YELLOW (INLET FAN) & WHITE (OUTLET FAN) WIRE ----- (PWM)
- THIS PRODUCT IS RoHS COMPLIANT.

PART NO:

DELTA MODEL: GFC0624DW-DT48

### 10. FREQUENCY GENERATOR (FG) SIGNAL:

#### 10.1 OUTPUT CIRCUIT - OPEN COLLECTOR MODE:



#### CAUTION:

THE LEAD WIRE OF FG SIGNAL CAN NOT TOUCH THE LEAD WIRE OF POSITIVE OR NEGATIVE.

#### 10.2 SPECIFICATION:

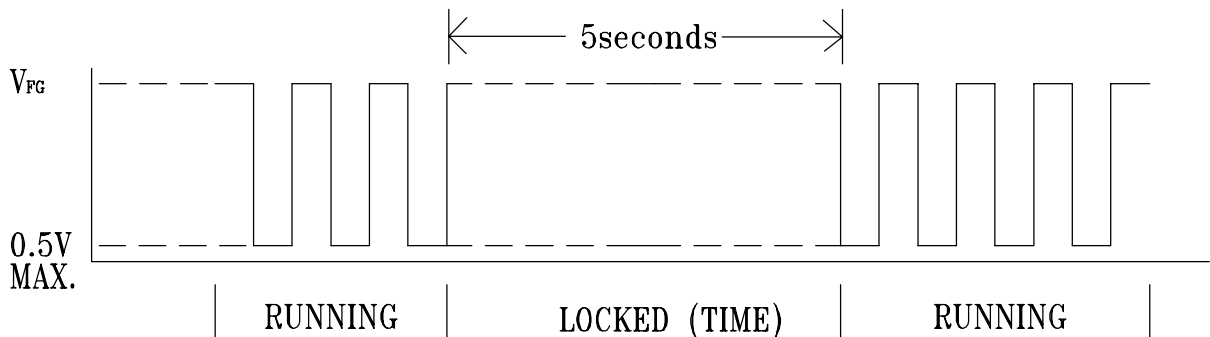
$V_{CE}(\text{sat}) = 0.5\text{V MAX.}$

$V_{FG} = 26.0\text{VDC MAX.}$

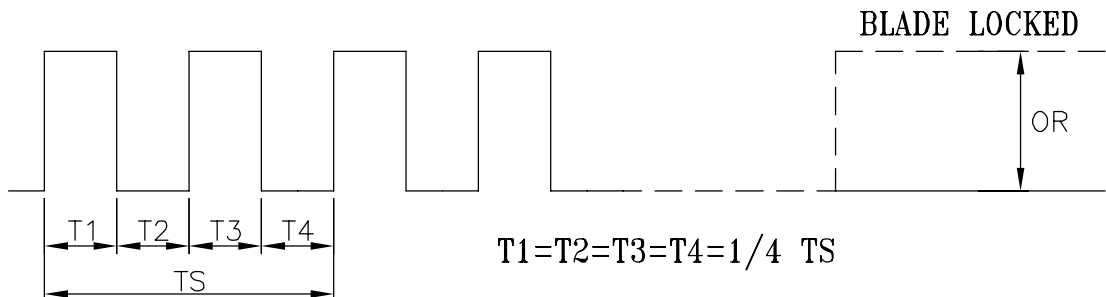
$I_c = 5\text{mA MAX.}$

$R \geq V_{FG} / I_c$

#### 10.3 FREQUENCY GENERATOR WAVEFORM:



#### FAN RUNNING FOR 4 POLES



$N = \text{R.P.M}$

$TS = 60 / N(\text{SEC})$

\*VOLTAGE LEVEL AFTER BLADE LOCKED

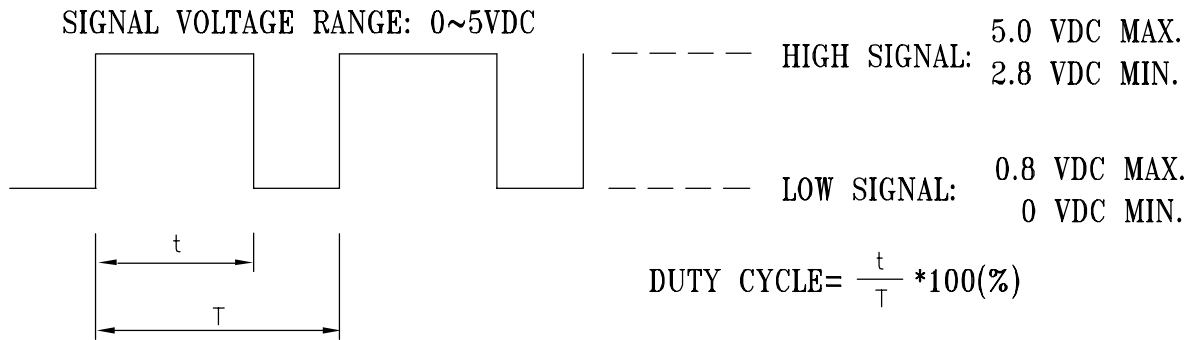
\*4 POLES



PART NO:

DELTA MODEL: GFC0624DW-DT48

11. PWM CONTROL SIGNAL:

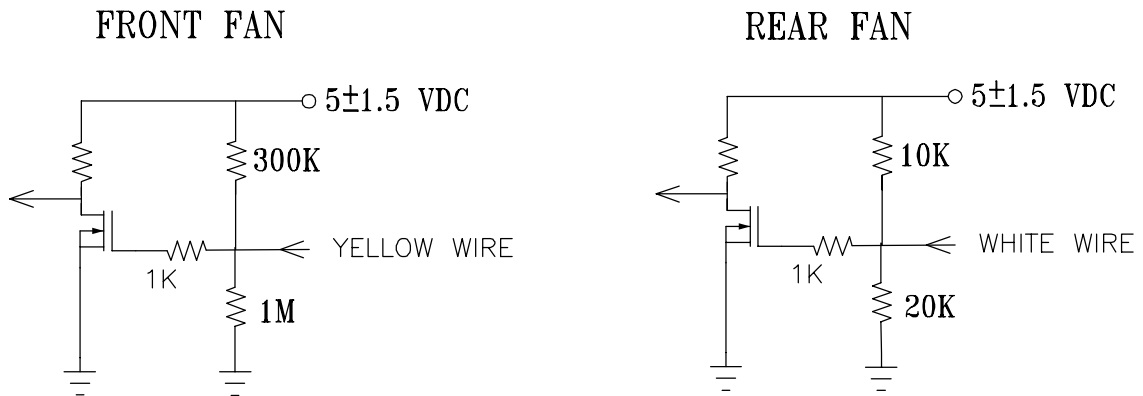


- THE PREFERRED OPERATING POINT FOR THE FAN IS 25K HZ.
- AT 100% DUTY CYCLE,THE ROTOR WILL SPIN AT MAXIMUM SPEED.
- AT 0% DUTY CYCLE,THE ROTOR WILL SPIN AT MINIMUM SPEED.
- WITH CONTROL SIGNAL LEAD DISCONNECTED,THE FAN WILL SPIN AT MAXIMUM SPEED.
- AT RATED VOLTAGE ,25K HZ 30% DUTY CYCLE ,THE FAN WILL BE ABLE TO START FROM A DEAD STOP .

12. SPEED VS PWM CONTROL SIGNAL: (AT RATED VOLTAGE & PWM FREQUENCY=25KHZ)

DUTY CYCLE (%)	SPEED R.P.M. (REF.)	CURRENT (A) TYP.
100	FRONT 11300/REAR 12500 R.P.M. ±10%	1.40
50	FRONT 5650/REAR 6250 R.P.M. ±10%	0.30
0	0	0.02

13. PWM CONTROL LEAD WIRE INPUT IMPEDANCE:



13-1. THE FAN SPEED WILL DEFAULT TO MAXIMUM WHEN THE SPEED CONTROL INPUT IS LEFT UNCONNECTED.



## ***Application Notice***

- 1. Delta will not guarantee the performance of the products if the application condition falls outside the parameters set forth in the specification.**
- 2. A written request should be submitted to Delta prior to approval if deviation from this specification is required.**
- 3. Please exercise caution when handling fans. Damage may be caused when pressure is applied to the impeller, if the fans are handled by the lead wires, or if the fan was hard-dropped to the production floor.**
- 4. Except as pertains to some special designs, there is no guarantee that the products will be free from any such safety problems or failures as caused by the introduction of powder, droplets of water or encroachment of insect into the hub.**
- 5. The above-mentioned conditions are representative of some unique examples and viewed as the first point of reference prior to all other information.**
- 6. It is very important to establish the correct polarity before connecting the fan to the power source. Positive (+) and Negative (-). Damage may be caused to the fans if connection is with reverse polarity, if there is no foolproof method to protect against such error specifically mentioned in this spec.**
- 7. Delta fans without special protection are not suitable where any corrosive fluids are introduced to their environment.**
- 8. Please ensure all fans are stored according to the storage temperature limits specified. Do not store fans in a high humidity environment. We highly recommend performance testing is conducted before shipping, if the fans have been stored over 6 months.**
- 9. Not all fans are provided with the Lock Rotor Protection feature. If you impair the rotation of the impeller for the fans that do not have this function, the performance of those fans will lead to failure.**
- 10. Please be cautious when mounting the fan. Incorrect mounting of fans may cause excess resonance, vibration and subsequent noise.**
- 11. It is important to consider safety when testing the fans. A suitable fan guard should be fitted to the fan to guard against any potential for personal injury.**
- 12. Except where specifically stated, all tests are carried out at room (ambient) temperature and relative humidity conditions of 25°C, 65% RH. The test value is only for fan performance itself.**
- 13. Be certain to connect an “ 4.7μF or greater” capacitor to the fan externally when the application calls for using multiple fans in parallel, to avoid any unstable power.**