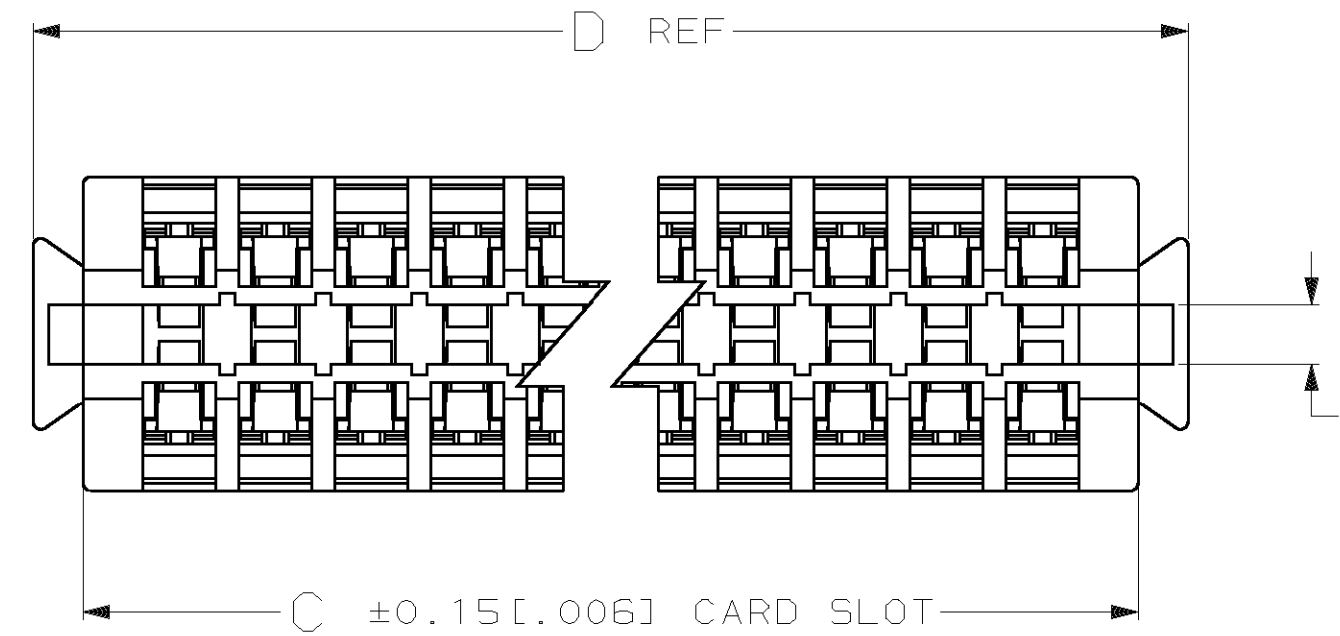


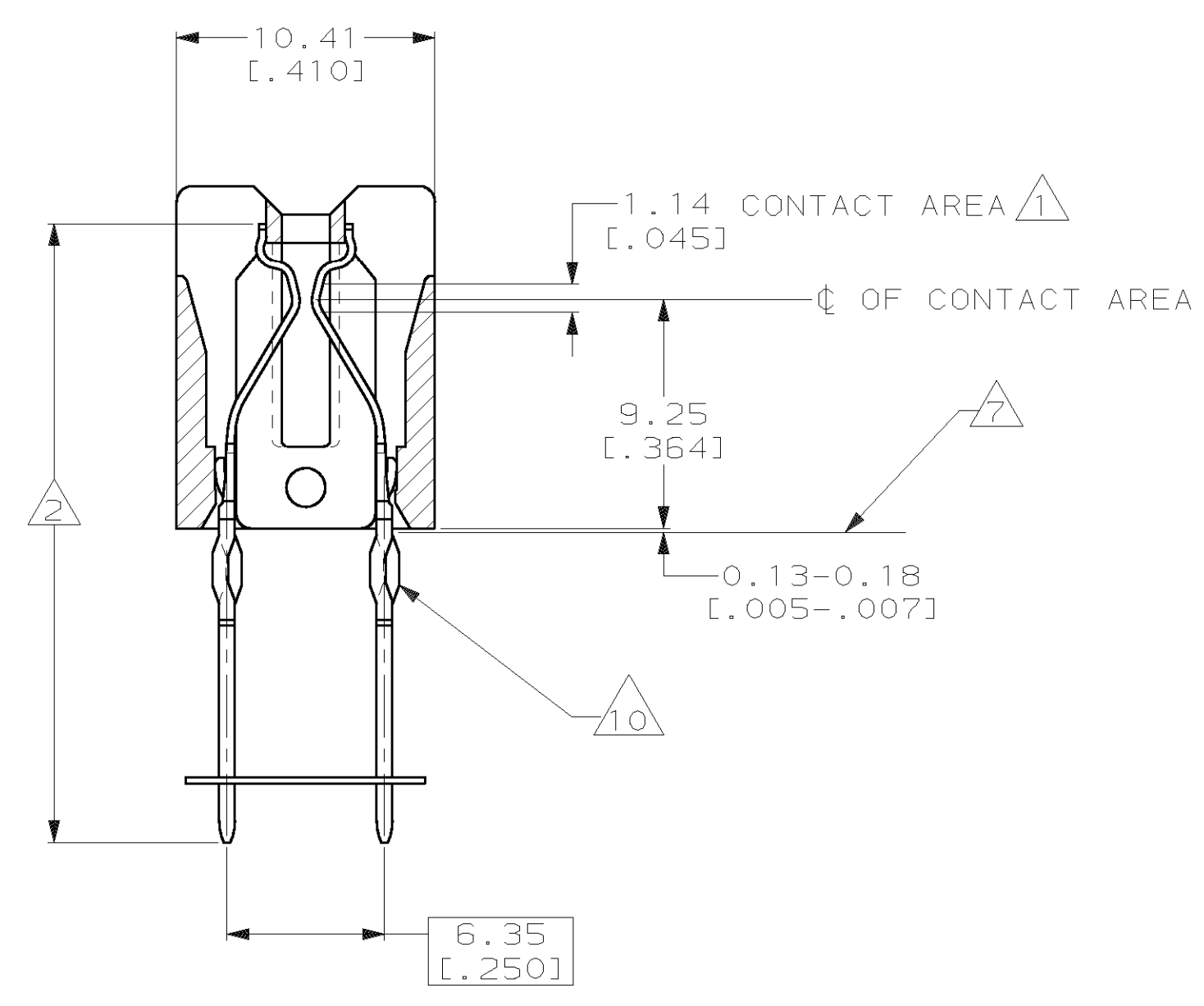
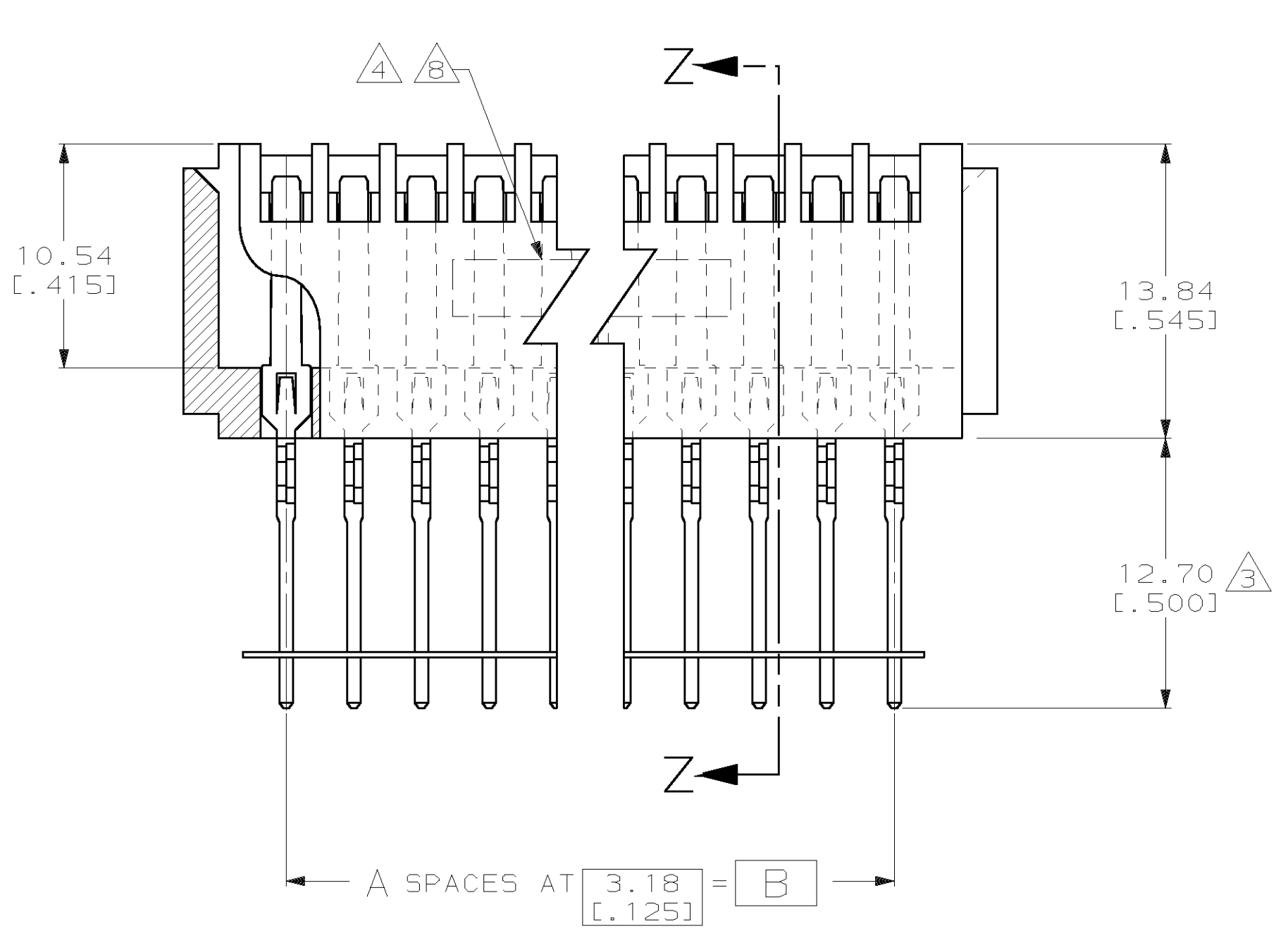
REVISED PER		DATE	APPD
G	REVISED PER 0010-0276-94	7/7/94	5G HR
H	REVISED PER 0010-0313-94	9/29/94	5G HR
J	REVISED PER 0010-0407-94	1/31/95	5G HR
K	REVISED PER 0010-1143-94	8-11-95	DB HR
L	REVISED PER 0010-1675-95	1/11/96	RB HR
M	REVISED PER 0010-1624-95	9-20-96	PB -
N	REV PER EC 063C-0027-01	25JAN01	MM

- △ GOLD PLATE .00076 [.000030] MIN THICK.
- △ NICKEL PL .00127 [.000050] MIN THK PER Q0-N-290
- △ SOLDER PL .00254 [.000100] MIN THK.
- △ STAMPED P/N & DATE CODE.
- 5. OPTIONAL: KEYING PLUG FOR INTERCONTACT KEYING IS 118982-1
- 6. OPTIONAL: CARD GUIDE (BASE NO 117169)
- △ TOP SURFACE OF P.C. BOARD AFTER APPLICATION DUE TO MYLAR THICKNESS.
- △ ALL PARTS ASSEMBLED IN MEXICO MUST BE STAMPED "ASSY IN MEXICO". THE WORD "MEXICO" CAN BE SUBSTITUTED ONLY WHERE PART SIZE PROHIBITS STAMPING "ASSY IN MEXICO", INK PER 115-9009, APPROX WHERE SHOWN, SIDE OPTIONAL.
- 9. REF GP 2922 FOR QUALITY CHECK DATA.
- △ ACTION PIN REQUIRES 2.13[.084] MIN THK PC BOARD.

REQ'D DRILL SIZE	HOLE DIA ±.03[.001]	PLATING THICKNESS		HOLE DIAMETER		COPPER HARDNESS (KNOOP)	PAD DIA MIN	
		COPPER	TIN/LEAD	AFTER PLATING	AFTER REFLOW			
1.15mm	1.15 [.0453]	0.03-0.08 [.001-.003]	0.008 MIN [.0003] MIN	0.94-1.09 [.037-.043]	0.914-1.09 [.0036-.043]	150 MAX	1.57 [.062]	
1.15mm	1.15 [.0453]	NOT PLATED THRU						1.65 [.065]



CARD SLOT ACCEPTS 1.37/1.80 [.054/.071] PC BOARD



OBSOLETE	-196.98 [-7.755]	-193.68 [-7.625]	-187.33 [-7.375]	-59	-60	4-119200-6
OBSOLETE	-193.80 [-7.630]	-190.50 [-7.500]	-184.15 [-7.250]	-58	-59	4-119200-5
OBSOLETE	-190.63 [-7.505]	-187.32 [-7.375]	-180.90 [-7.125]	-57	-58	4-119200-4
OBSOLETE	-187.45 [-7.380]	-184.15 [-7.250]	-177.80 [-7.000]	-56	-57	4-119200-3
OBSOLETE	-184.27 [-7.255]	-180.97 [-7.125]	-174.62 [-6.875]	-55	-56	4-119200-2
OBSOLETE	-181.10 [-7.130]	-177.80 [-7.000]	-171.45 [-6.750]	-54	-55	4-119200-1
OBSOLETE	-177.93 [-7.005]	-174.62 [-6.875]	-168.28 [-6.625]	-53	-54	4-119200-0
OBSOLETE	-174.75 [-6.880]	-171.45 [-6.750]	-165.10 [-6.500]	-52	-53	3-119200-9
OBSOLETE	-171.58 [-6.755]	-168.28 [-6.625]	-161.92 [-6.375]	-51	-52	3-119200-8
	168.40 [6.630]	165.10 [6.500]	158.75 [6.250]	50	51	3-119200-7
OBSOLETE	-165.23 [-6.505]	-161.93 [-6.375]	-155.58 [-6.125]	-49	-50	3-119200-6
OBSOLETE	-162.05 [-6.380]	-158.75 [-6.250]	-152.40 [-6.000]	-48	-49	3-119200-5
OBSOLETE	-158.88 [-6.255]	-155.58 [-6.125]	-149.23 [-5.875]	-47	-48	3-119200-4
OBSOLETE	-155.70 [-6.130]	-152.40 [-6.000]	-146.05 [-5.750]	-46	-47	3-119200-3
OBSOLETE	-152.53 [-6.005]	-149.22 [-5.875]	-142.88 [-5.625]	-45	-46	3-119200-2
OBSOLETE	-149.35 [-5.880]	-146.05 [-5.750]	-139.70 [-5.500]	-44	-45	3-119200-1
OBSOLETE	-146.18 [-5.755]	-142.88 [-5.625]	-136.53 [-5.375]	-43	-44	3-119200-0
OBSOLETE	-143.00 [-5.630]	-139.70 [-5.500]	-133.35 [-5.250]	-42	-43	2-119200-9
OBSOLETE	-139.83 [-5.505]	-136.52 [-5.375]	-130.18 [-5.125]	-41	-42	2-119200-8
OBSOLETE	-136.65 [-5.380]	-133.35 [-5.250]	-127.00 [-5.000]	-40	-41	2-119200-7
	133.48 [5.255]	130.18 [5.125]	123.83 [4.875]	39	40	2-119200-6
OBSOLETE	-130.30 [-5.130]	-127.00 [-5.000]	-120.65 [-4.750]	-38	-39	2-119200-5
OBSOLETE	-127.13 [-5.005]	-123.82 [-4.875]	-117.48 [-4.625]	-37	-38	2-119200-4
OBSOLETE	-123.95 [-4.880]	-120.65 [-4.750]	-114.30 [-4.500]	-36	-37	2-119200-3
OBSOLETE	-120.78 [-4.755]	-117.48 [-4.625]	-111.13 [-4.375]	-35	-36	2-119200-2
OBSOLETE	-117.60 [-4.630]	-114.30 [-4.500]	-107.95 [-4.250]	-34	-35	2-119200-1
OBSOLETE	-114.43 [-4.505]	-111.12 [-4.375]	-104.78 [-4.125]	-33	-34	2-119200-0
OBSOLETE	-111.25 [-4.380]	-107.95 [-4.250]	-101.60 [-4.000]	-32	-33	1-119200-9
OBSOLETE	-108.08 [-4.255]	-104.78 [-4.125]	-98.43 [-3.875]	-31	-32	1-119200-8
OBSOLETE	-104.90 [-4.130]	-101.60 [-4.000]	-95.25 [-3.750]	-30	-31	1-119200-7
OBSOLETE	-101.73 [-4.005]	-98.43 [-3.875]	-92.09 [-3.625]	-29	-30	1-119200-6
OBSOLETE	-98.55 [-3.880]	-95.25 [-3.750]	-88.90 [-3.500]	-28	-29	1-119200-5
	95.38 [3.755]	92.08 [3.625]	85.73 [3.375]	27	28	1-119200-4
OBSOLETE	-92.20 [-3.630]	-88.90 [-3.500]	-82.55 [-3.250]	-26	-27	1-119200-3
OBSOLETE	-89.03 [-3.505]	-85.72 [-3.375]	-79.38 [-3.125]	-25	-26	1-119200-2
OBSOLETE	-85.85 [-3.380]	-82.55 [-3.250]	-76.20 [-3.000]	-24	-25	1-119200-1
OBSOLETE	-82.68 [-3.255]	-79.38 [-3.125]	-73.02 [-2.875]	-23	-24	1-119200-0
OBSOLETE	-79.50 [-3.130]	-76.20 [-3.000]	-69.85 [-2.750]	-22	-23	119200-9
	76.33 [3.005]	73.03 [2.875]	66.68 [2.625]	21	22	119200-8
OBSOLETE	-73.15 [-2.880]	-69.85 [-2.750]	-63.50 [-2.500]	-20	-21	119200-7
OBSOLETE	-69.98 [-2.755]	-66.68 [-2.625]	-60.33 [-2.375]	-19	-20	119200-6
OBSOLETE	-66.80 [-2.630]	-63.50 [-2.500]	-57.15 [-2.250]	-18	-19	119200-5
OBSOLETE	-63.63 [-2.505]	-60.33 [-2.375]	-53.98 [-2.125]	-17	-18	119200-4
OBSOLETE	-60.45 [-2.380]	-57.15 [-2.250]	-50.80 [-2.000]	-16	-17	119200-3
OBSOLETE	-57.28 [-2.255]	-53.98 [-2.125]	-47.62 [-1.875]	-15	-16	119200-2
OBSOLETE	-54.10 [-2.130]	-50.80 [-2.000]	-44.50 [-1.750]	-14	-15	119200-1

DO NOT SCALE PRINT. UNLESS SPECIFIED DIMENSIONS IN mm [INCHES] TOLERANCES ON: 2 PLC DEC ± - 3 PLC DEC ± 0.25 [.010] ANGLES ± -	DR 10-FEB-93 R.L. LEHR CHK 7/7/94 H. ROSE APPD 7/7/94 H. ROSE APPD 7/7/94 M. THUMMA	AMP Incorporated Harrisburg, PA 17105-3608	
MATERIAL HOUSING: VALOX 420 SE0, BLACK CONTACTS: PHOSPHOR BRONZE STRIP: MYLAR, CLEAR	PRODUCT SPEC -	CONNECTOR, AMP PACE .125x.250	
FINISH △1△2△3	APPLICATION SPEC -	SIZE D	CAGE CODE 00779
	WEIGHT -	DRAWING NO C-119200	SHEET 1 OF 1

THIS DRAWING IS A CONTROLLED DOCUMENT FOR AMP INCORPORATED. IT IS SUBJECT TO CHANGE AND THE CONTROLLING ENGINEERING ORGANIZATION SHOULD BE CONTACTED FOR THE LATEST REVISION.