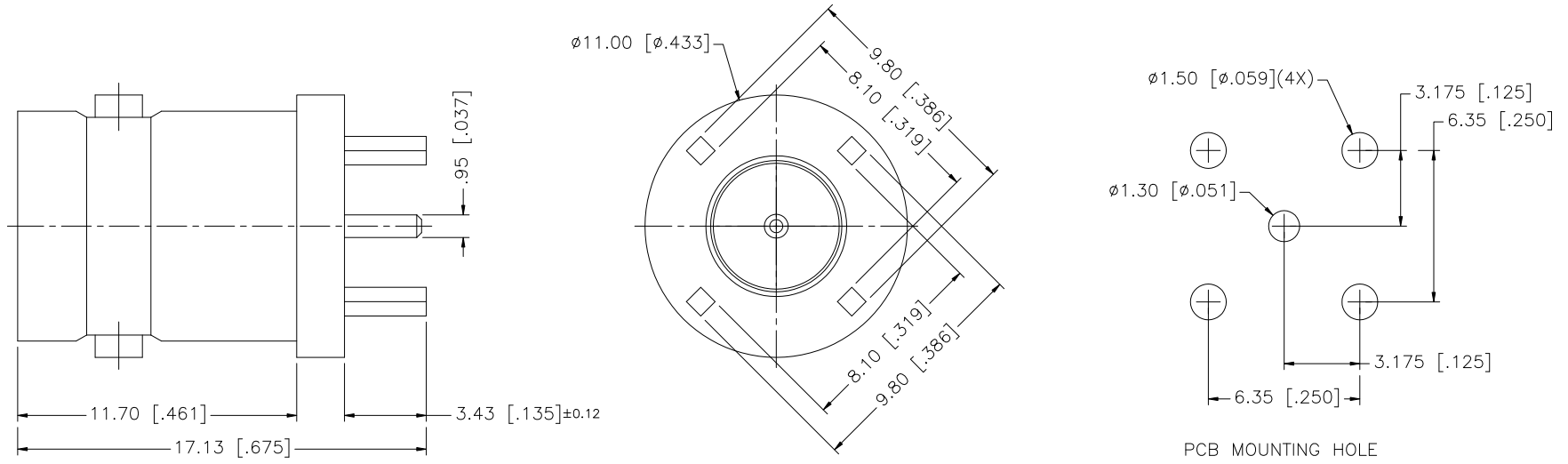


REV.	DATE	ECR NO.	DESCRIPTION
NC	05/25/08	-	INITIAL RELEASE



DESCRIPTION	MATERIAL	FINISH	QTY
4 LOCK RING	BRASS	NICKEL	1
3 CONTACT PIN	PHOS. BRONZE	GOLD	1
2 INSULATOR	PTFE	NATURAL	1
1 BODY	BRASS	NICKEL	1

UNLESS OTHERWISE SPECIFIED DIMENSIONS ARE IN MILLIMETERS. DIMENSIONS IN [ ] ARE IN INCHES AND FOR CUSTOMER REFERENCE ONLY.

UNLESS OTHERWISE SPECIFIED TOLERANCES FOR MILLIMETERS ARE:  
0.5 - 8mm ± 0.20mm  
8 - 30mm ± 0.40mm  
30 - 120mm ± 0.50mm

UNLESS OTHERWISE SPECIFIED TOLERANCES FOR INCHES ARE:  
.020 - .315 = ± 0.007"  
.315 - 1.180 = ± 0.015"  
1.180 - 4.724 = ± 0.020"

DO NOT SCALE DRAWING

APPROVALS	DATE
DRAWN G.R.S.	05/25/08
CHECKED	
ISSUED	
SHEET 1 OF 1	
CAD FILE	C:/112/112405-12.DWG

PART DESCRIPTION			
<b>Amphenol Connex</b>			
BNC P.C. MOUNT RECEPT. JACK (.135" LEGS)			
PART NO. 112405-12			
DWG. NO.	112405-12.DWG	REV.	NC
SIZE	A	SCALE	NA