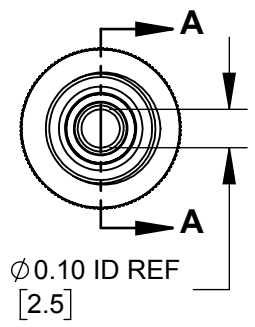
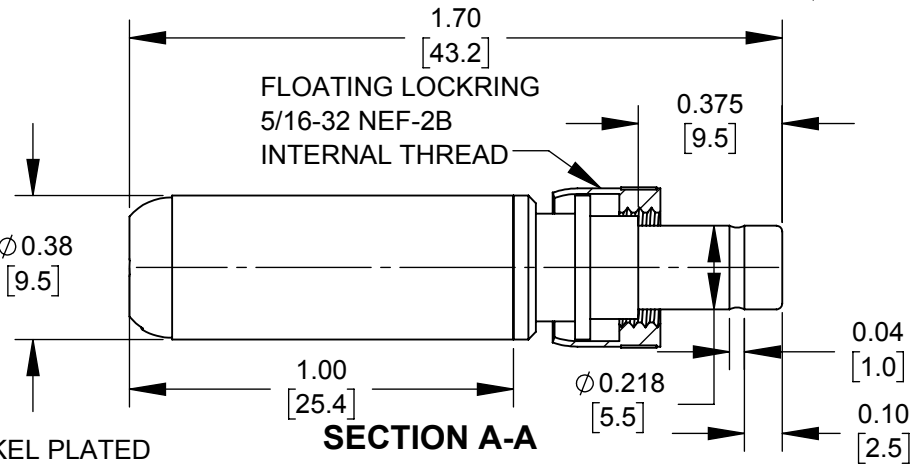
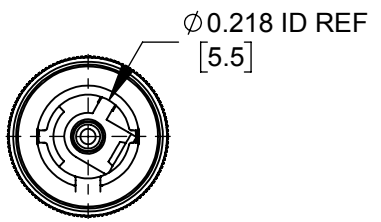
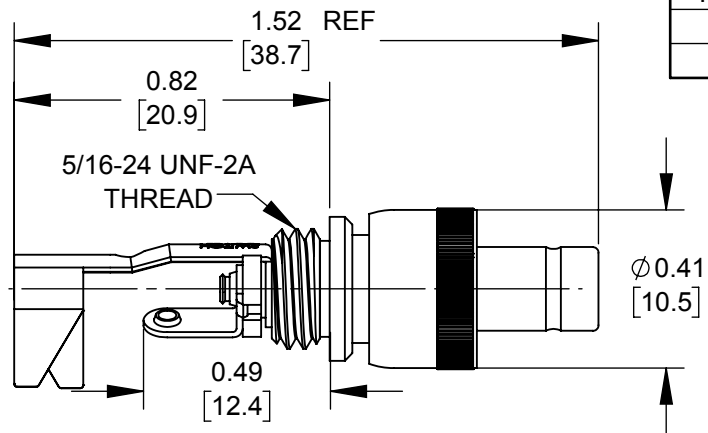


PART NUMBER	HANDLE COLOR
760KZ	BLACK
765KZ	RED



- NOTES:
- MATERIALS:  
 CONDUCTORS & LOCKRING - BRASS, NICKEL PLATED  
 TERMINALS - BRASS, TIN PLATED  
 INSULATORS & HANDLE - THERMOPLASTIC

2. THIS PRODUCT IS RoHS COMPLIANT

**CUSTOMER DRAWING**

					UNLESS OTHERWISE SPECIFIED  1. ALL DIMENSIONS IN INCHES [mm] - TWO PLACE DECIMALS ±0.02 [0.5] - THREE PLACE DECIMALS ±0.005 [0.13]
0A	FIRST DRAWN	10/24/19	AM	*	
REV	ECO NUMBER	DATE	BY	APVD	
REVISIONS					

THIS DRAWING DESCRIBES A DESIGN CONSIDERED PROPRIETARY IN NATURE, DEVELOPED AND MANUFACTURED BY SWITCHCRAFT INC. AND IS RELEASED ON A CONFIDENTIAL BASIS FOR IDENTIFICATION PURPOSES ONLY.										
SIZE	*	WIDTH	*	MULT	*	LBS/M	*	TEMPER	*	
FINISH	*					MATERIAL	*			
SPEC No.	*					SPEC No.	*			
FIRST USED ON					SCALE					
*					2:1					
DATE DRAWN	BY	CHKD	APVD							
10/24/19	AM	*	*							
NAME						PART No.		REV		
Ø 0.10 [2.5]mm X 0.375 LONG IMPROVED PWR PLG W/LOCKRING, RoHS						760KZ-765KZ		0A		

DO NOT SCALE DRAWING