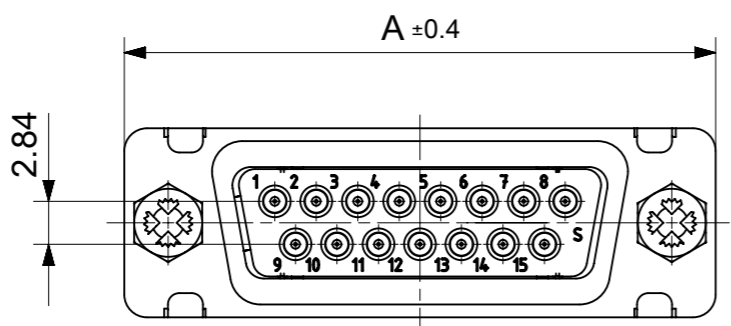
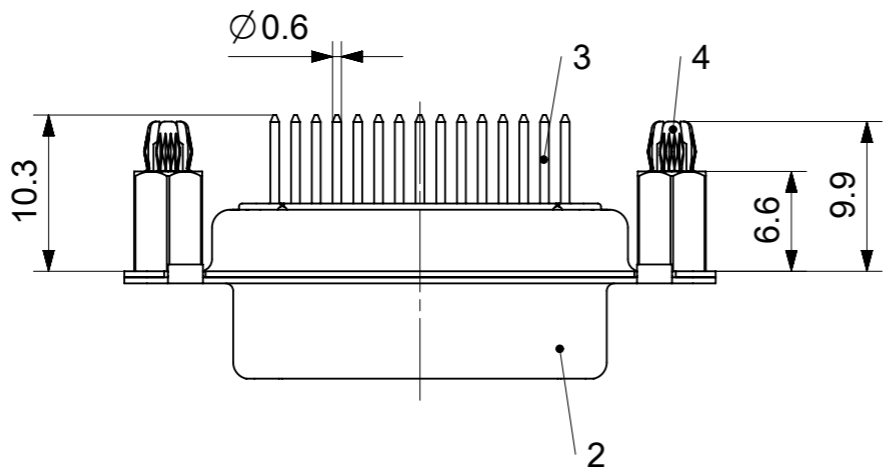
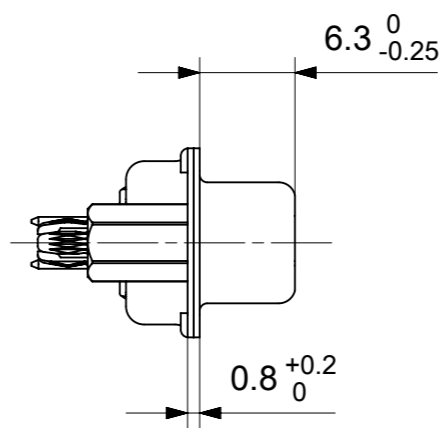
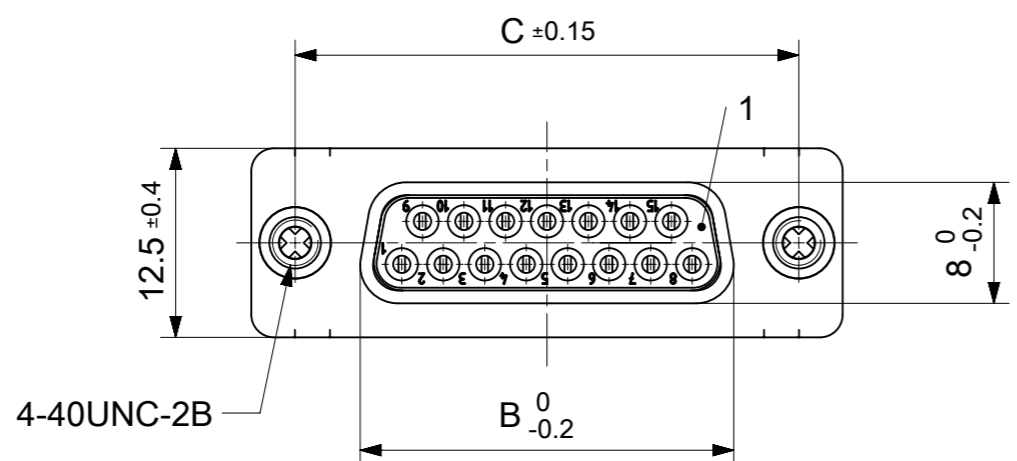


RoHS compliant
by exemption



FCT Part number:
Fxx*1)S1y*2)-0982
e.g. F15S1G1-0982
*1) xx No. of contacts 09, 15, 25 or 37
*2) y for performance classes 1, 2 or 3
(contact cycle for G1/G2/G3 = 500/200/50)

Material Number	xx*1)	y*2)	A[mm]	B[mm]	C[mm]	*E[mm]	*F[mm]
1731090074	09	G1	30.8	16.4	25	Ø1	Ø3
1731090151		G2					
1731090078	15	G1	39.1	24.7	33.3		
1731090152		G2					
1731090143	25	G1	53	38.5	47.04		
1731090153		G2					
1731090144	37	G1	69.3	54.9	63.5		

*PCB hole patterns ØE, ØF see document 2195600023

No.	Pc.	Part	Type Description/Material	Surface plating/Color/Class
4	2	Snap-in bolt	PCB 1.6mm / Brass	tin plated
3	xx	Signal contact	S1 / Brass	G1 / G2
2	1	Shell	Steel	tin plated
1	1	Insulator	PBT (-55°C to +125°C) acc. UL94V-0	white

MEASUREMENTS WITHOUT TOLERANCE ACC TO ISO 2768-m

REPLACEMENT FOR DOCUMENT NUMBER: FxxS1Gy-0982

FUNCTIONAL SYMBOLS: THIS DRAWING CONTAINS INFORMATION THAT IS PROPRIETARY TO MOLEX ELECTRONIC TECHNOLOGIES, LLC AND SHOULD NOT BE USED WITHOUT WRITTEN PERMISSION

SCALE: 2:1

GENERAL TOLERANCES (UNLESS SPECIFIED):

ANGULAR TOL ± °

4 PLACES ±

3 PLACES ±

2 PLACES ±

1 PLACE ±

0 PLACES ±

DIVISIONAL SYMBOLS

DRAFT WHERE APPLICABLE MUST REMAIN WITHIN DIMENSIONS

FIRST ANGLE PROJECTION

DRAWING: A3-SIZE

SERIES: 173109

MATERIAL NUMBER: SEE TABLE

CUSTOMER: GENERAL MARKET

SHEET NUMBER: 1 OF 1

EC NO: 707726

DRWN: SKANDB 2021/12/03

CHK'D: MTEUBEL 2022/05/25

APPR: MTEUBEL 2022/05/25

INITIAL REVISION:

DRWN: SKANDB 2021/12/03

APPR: MTEUBEL 2022/05/25

DOCUMENT NUMBER: 1731090074

DOC TYPE: PSD

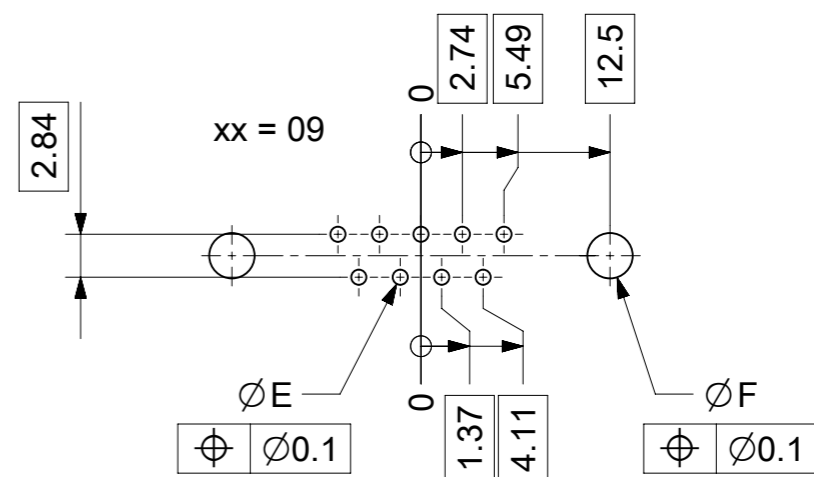
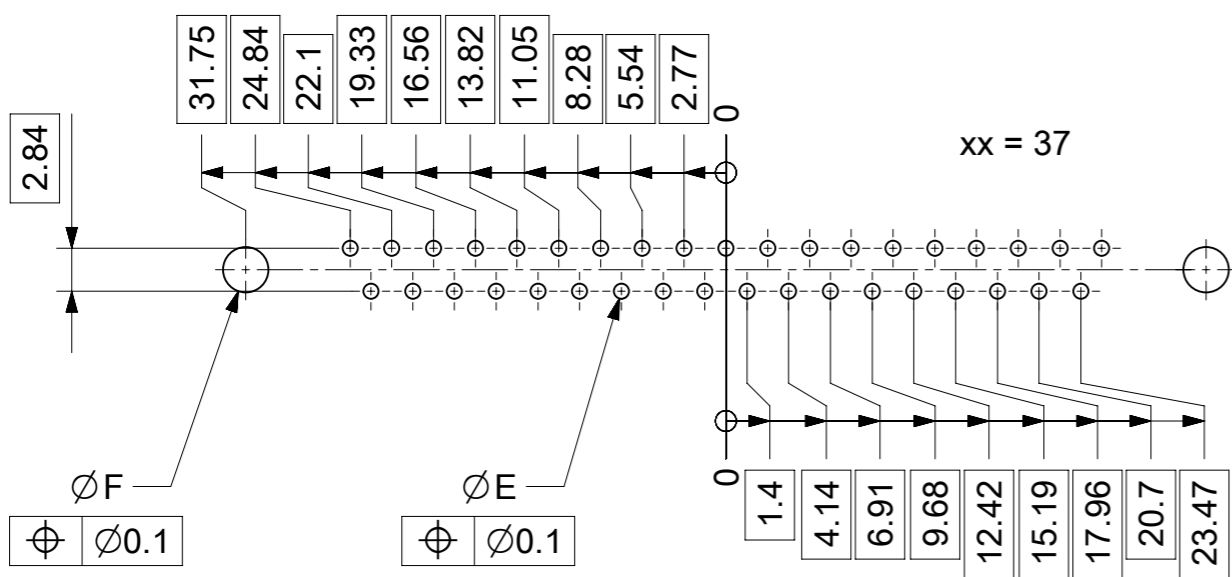
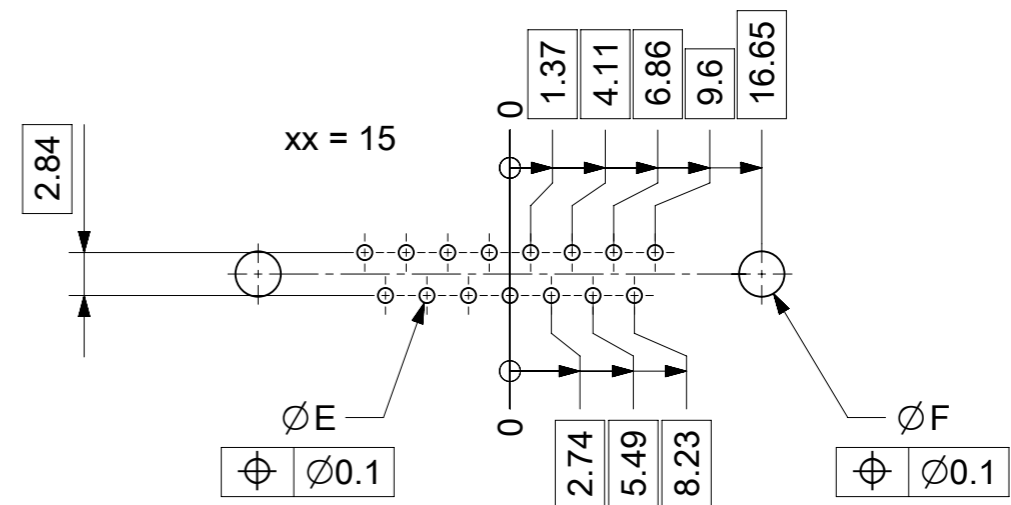
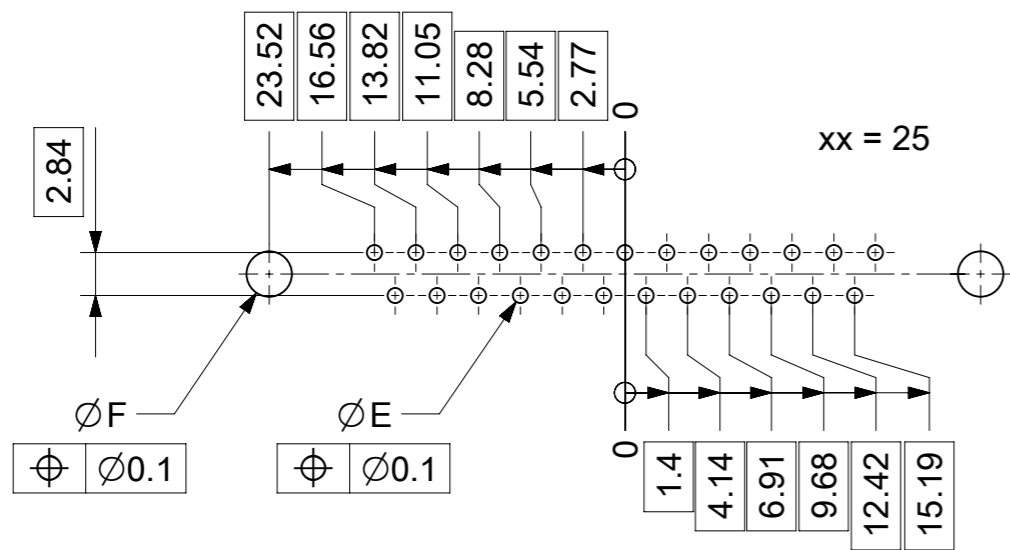
DOC PART: 000

REVISION: A

molex

FCT D-SUB MINIATURE CONNECTOR

PRODUCT CUSTOMER DRAWING



ØE, ØF see data sheet incl. connector
 ØF connectors with accessories only

MEASUREMENTS WITHOUT TOLERANCE ACC TO ISO 2768-m			REPLACEMENT FOR DOCUMENT NUMBER: AM0023				
THIS DRAWING CONTAINS INFORMATION THAT IS PROPRIETARY TO MOLEX ELECTRONIC TECHNOLOGIES, LLC AND SHOULD NOT BE USED WITHOUT WRITTEN PERMISSION							
FUNCTIONAL SYMBOLS	DIMENSION UNITS	SCALE	CURRENT REV DESC:				
$\nabla_A = 0$	mm	2:1	EC NO: 713905 DRWN: SKANDB 2022/05/16 CHK'D: MTEUBEL 2022/07/12 APPR: MTEUBEL 2022/07/12 INITIAL REVISION: DRWN: SKANDB 2022/05/16 APPR: MTEUBEL 2022/07/12				
$\nabla_E = 0$	GENERAL TOLERANCES (UNLESS SPECIFIED)						
$\nabla_P = 0$	ANGULAR TOL ± °						
DIVISIONAL SYMBOLS	4 PLACES ±						
	3 PLACES ±		PRODUCT CUSTOMER DRAWING				
	2 PLACES ±		DOCUMENT NUMBER				
	1 PLACE ±		2195600023				
	0 PLACES ±		DOC TYPE DOC PART REVISION				
DRAFT WHERE APPLICABLE MUST REMAIN WITHIN DIMENSIONS		FIRST ANGLE PROJECTION	DRAWING	SERIES	MATERIAL NUMBER	CUSTOMER	SHEET NUMBER
			A3-SIZE	219560	219560	GENERAL MARKET	1 OF 1