

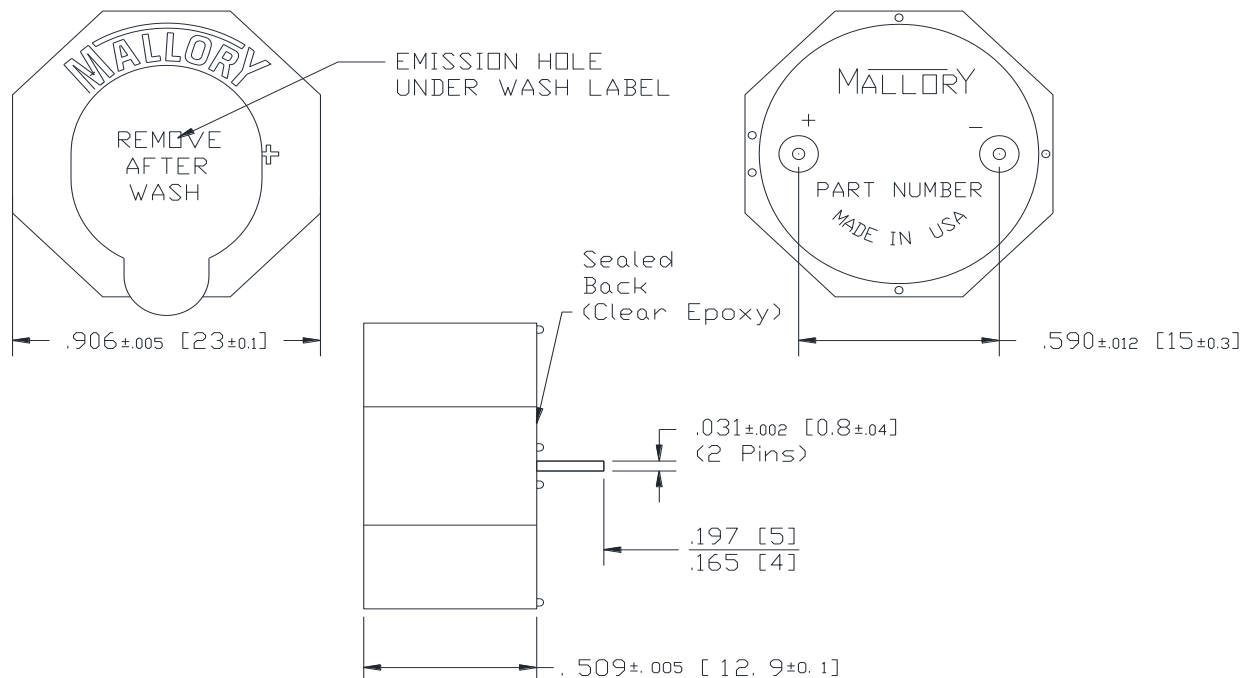
**Sales Outline Drawing**

**Specifications:**

|                       |                               |
|-----------------------|-------------------------------|
| Sound Level Category  | Loud                          |
| Mode of Operation     | Continuous                    |
| Voltage Rating        | 20 to 28 VDC                  |
| Frequency             | 4300-3400 Hz Typical          |
| Loudness @ 1 FT       | 85 to 95 dB(A) Typ.           |
| Current Draw          | 50mA MAX                      |
| Housing Material      | Valox (UL94V-0), Color: Black |
| Storage Temperature   | -40° to +80° C                |
| Operating Temperature | -40° to +65° C                |
| Weight (Typical)      | 4.0g                          |
| Options               | Please contact factory.       |

**Dimensions:** Inches (mm)

**ROHS Compliant**



NOTE A:  
TERMINALS - .031" DIA. NICKEL/TIN COATED BRASS.

NOTE B:  
MOUNTING- INSERT INTO PRINTED CIRCUIT BOARD AND HAND OR MACHINE SOLDER. UNITS ARE SUITABLE FOR WAVE SOLDERING AND AQUEOUS WASH WHEN THE EMISSION HOLE IS COVERED WITH A WASH LABEL. RECOMMENDED MAXIMUM TEMPERATURE AND TIME DURATION FOR WAVE SOLDERING IS +270°C AND 3 SECONDS RESPECTIVELY.

NOTE C:  
PART NUMBER - FOR SEALED MODELS WHICH INCLUDE A WASH LABEL, THE PART NUMBER ENDS WITH THE SUFFIX "SR". THE LETTER "S" IS FOR ORDERING PURPOSES ONLY AND WILL NOT BE LISTED ON THE PART ITSELF.