

CES-B24-SF-PLBK - Snap-on frame



0801647

<https://www.phoenixcontact.com/us/products/0801647>

Please be informed that the data shown in this PDF document is generated from our online catalog. Please find the complete data in the user documentation. Our general terms of use for downloads are valid.



Snap-on frame, design: B24, material: PA (halogen-free), color: black, length: 155 mm, width: 64 mm, height: 39 mm

Your advantages

- Can also be used for standard panel cutouts for heavy-duty industrial connectors

Commercial data

Item number	0801647
Packing unit	1 pc
Minimum order quantity	1 pc
Sales key	BF67
Product key	BF7CBX
Catalog page	Page 677 (C-2-2019)
GTIN	4046356674577
Weight per piece (including packing)	98.6 g
Weight per piece (excluding packing)	79 g
Customs tariff number	39269097
Country of origin	PL

CES-B24-SF-PLBK - Snap-on frame

0801647

<https://www.phoenixcontact.com/us/products/0801647>

Technical data

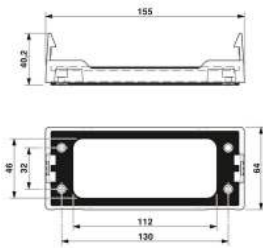
Notes

General	Mounting screws not supplied as standard. The maximum width of the panel cutout must not exceed 51 mm (instead of 35 mm for heavy-duty industrial connectors).
---------	--

Product properties

Type	B24
Product type	Frame for cable sleeves
Frame type	Snap-on frame

Dimensions

Dimensional drawing	
Width	64 mm
Height	39 mm
Length	155 mm
Drill hole distance, horizontal	32 mm
Drill hole distance, vertical	130 mm
Hole diameter	4.5 mm

Installation dimensions

Width of the assembly cutout	35 mm
Length of the assembly cutout	113 mm

Material specifications

Material	PA
Flammability rating according to UL 94	V0

Environmental and real-life conditions

Ambient conditions

Degree of protection	IP54
Ambient temperature (operation)	-20 °C ... 80 °C (static)

Mounting

Assembly instructions	M4 mounting screw, 1.8 Nm torque. A video tutorial on how to assemble the product can be found in the Downloads area, in the Video category.
-----------------------	---

CES-B24-SF-PLBK - Snap-on frame

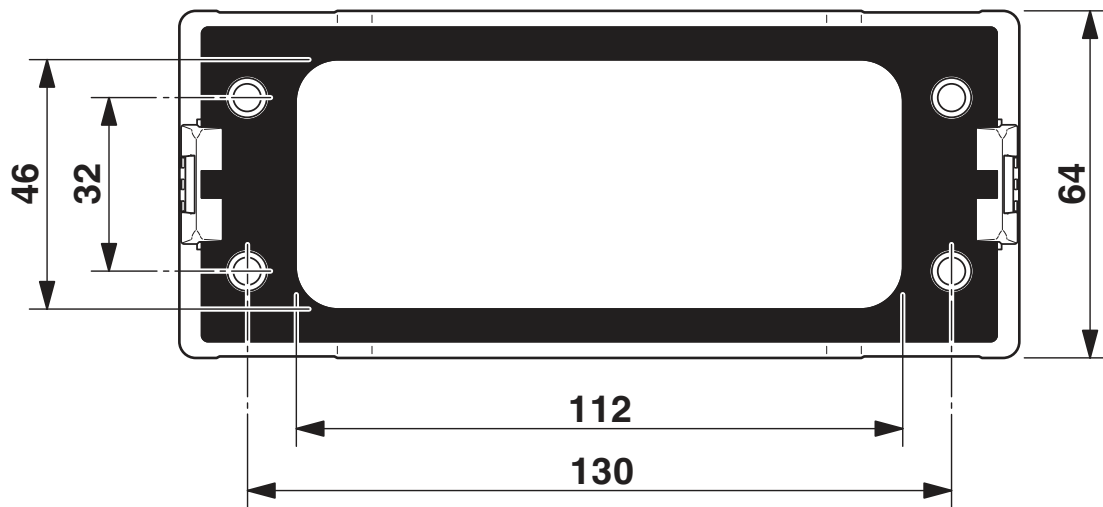
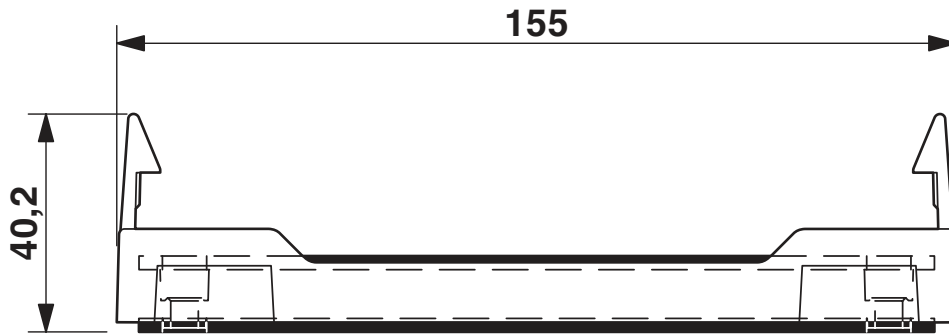


0801647

<https://www.phoenixcontact.com/us/products/0801647>

Drawings

Dimensional drawing

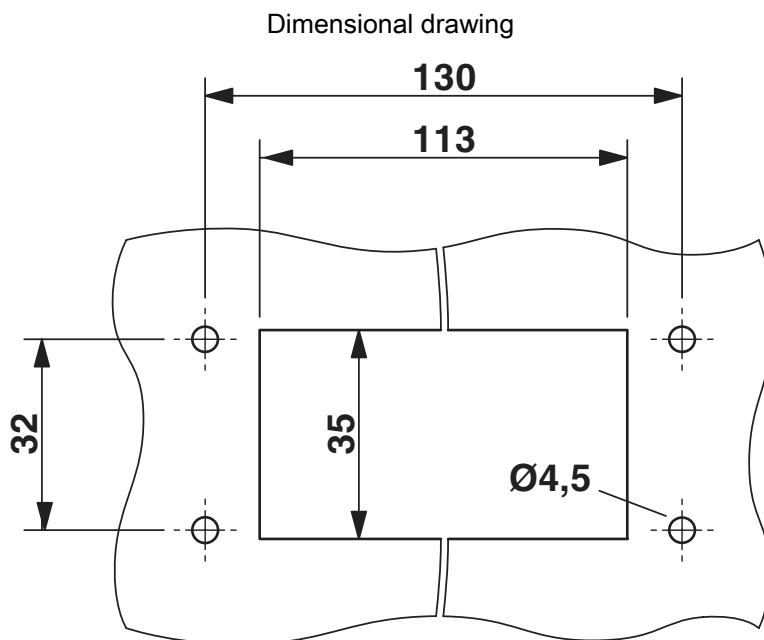


Dimensional drawing

CES-B24-SF-PLBK - Snap-on frame

0801647

<https://www.phoenixcontact.com/us/products/0801647>



Mounting cutout

CES-B24-SF-PLBK - Snap-on frame



0801647

<https://www.phoenixcontact.com/us/products/0801647>

Classifications

ECLASS

ECLASS-11.0	27440192
ECLASS-12.0	27440192
ECLASS-13.0	27440192

ETIM

ETIM 8.0	EC002943
----------	----------

UNSPSC

UNSPSC 21.0	39121400
-------------	----------

CES-B24-SF-PLBK - Snap-on frame



0801647

<https://www.phoenixcontact.com/us/products/0801647>

Environmental product compliance

China RoHS	Environmentally friendly use period: unlimited = EFUP-e
	No hazardous substances above threshold values

CES-B24-SF-PLBK - Snap-on frame

0801647

<https://www.phoenixcontact.com/us/products/0801647>



Accessories

CES-B24-SFC-M-15,6 - Locking element

1423745

<https://www.phoenixcontact.com/us/products/1423745>



Locking element, design: B24, material: Steel, galvanized, length: 146 mm, width: 57 mm, height: 15.6 mm

CES-B24-HFFS-PLBK - Sealing frame

0801661

<https://www.phoenixcontact.com/us/products/0801661>



Sealing frame, With locking latch, design: B24, Number of cable seals (small): 10, material: PA (halogen-free), color: black, length: 147 mm, width: 58 mm, height: 20 mm

CES-B24-SF-PLBK - Snap-on frame

0801647

<https://www.phoenixcontact.com/us/products/0801647>



CES-B24-SFFS-PLBK - Sealing frame

0801658

<https://www.phoenixcontact.com/us/products/0801658>



Sealing frame, with screw locking, design: B24, Number of cable seals (small): 10, material: PA (halogen-free), color: black, length: 147 mm, width: 58 mm, height: 20 mm

Phoenix Contact 2023 © - all rights reserved

<https://www.phoenixcontact.com>

Phoenix Contact USA
586 Fulling Mill Road
Middletown, PA 17057, United States
(+717) 944-1300
info@phoenixcon.com