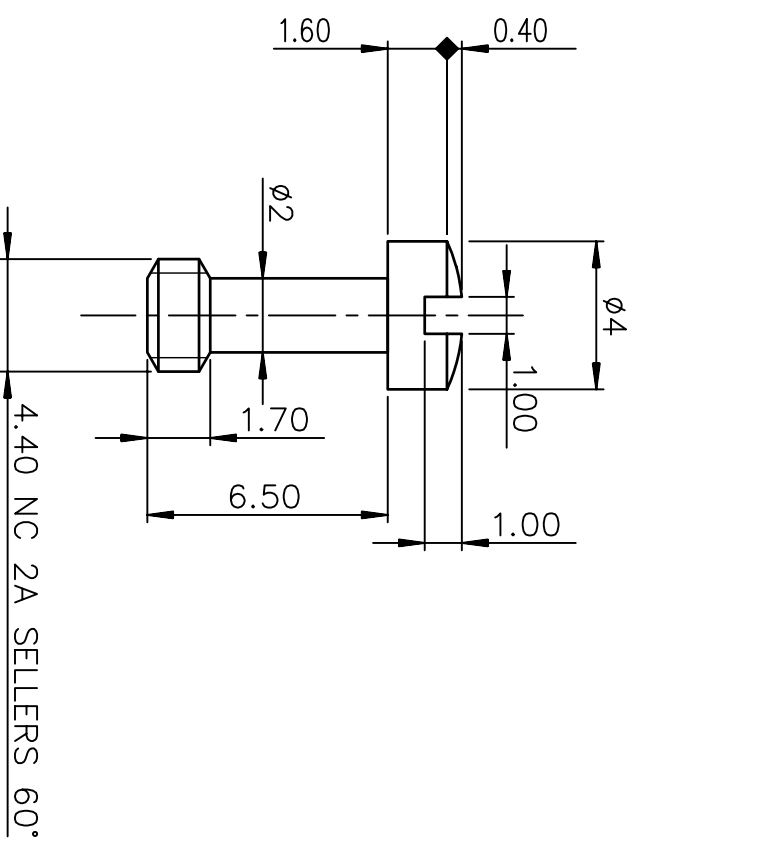
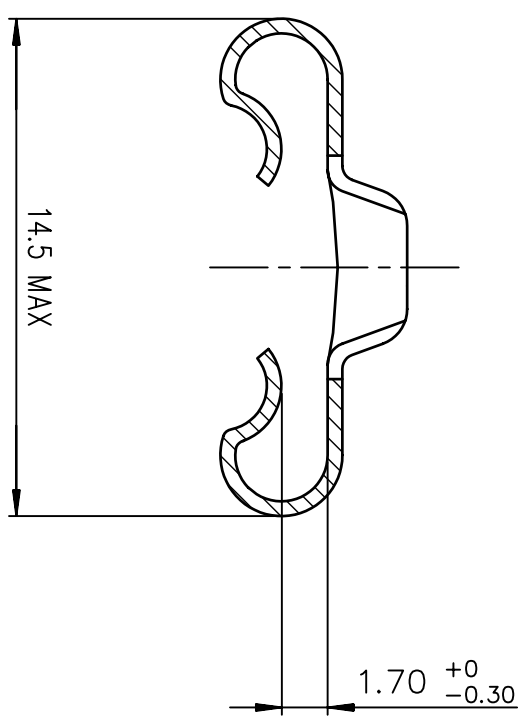
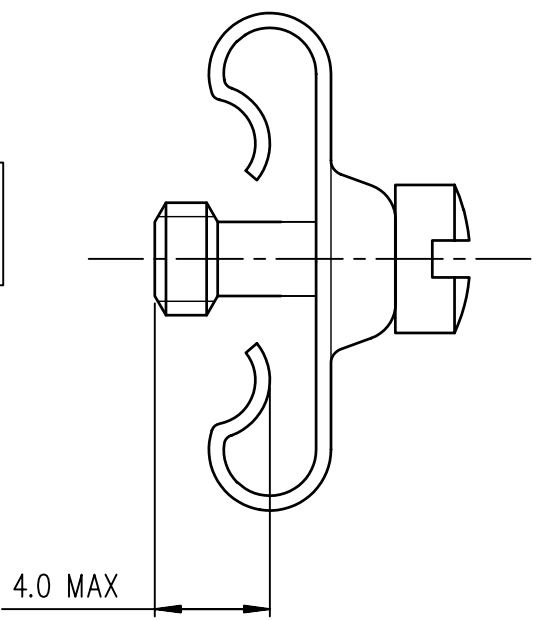


ASSEMBLY VIEW



NOTES

Pieces assembly
Packaging : per 100 piece
Material : steel



| | |
|-------------|---|
| 863004A | Yellow Chromate Cadmium 12µ over flash Nickel |
| PART NUMBER | PLATING |

| rev | ecn no | dr | date |
|-----|------------|-----|------------|
| D | - | CJA | 2002/08/29 |
| E | LS06-0101 | MPE | 2006/06/27 |
| F | LS09-0006 | PCR | 2009/01/08 |
| G | EX-H-01686 | PK | 2012/05/21 |

| | | | | | | | |
|--------------------|----------|------------------|----------------|-------------------|------------------|---------------|--------------|
| www.fciconnect.com | | surface | ISO 1302 | tolerance std | ISO 406 ISO 1101 | projection | mm |
| Dr | JOUBERT | 1994/05/07 | ANGULAR | 0.X | ±0.1 | size | A3 |
| Eng | JARRY | 2002/08/29 | LINEAR | 0.XX | ±0.1 | Scale | 5 |
| Chr | P.LEGARE | 2009/01/08 | 0.XX ±2 | 0.XXX | ±0.1 | ECN | ELX-H-011686 |
| Appr | P.LEGARE | 2009/01/08 | Product family | | D-SUB | Spec ref | - |
| FCI | | MALE SCREW LOCKS | | D SUB ACCESSORIES | | C01-8655-0654 | |
| catalog no | | - | | - | | Rev. G | |

European Views