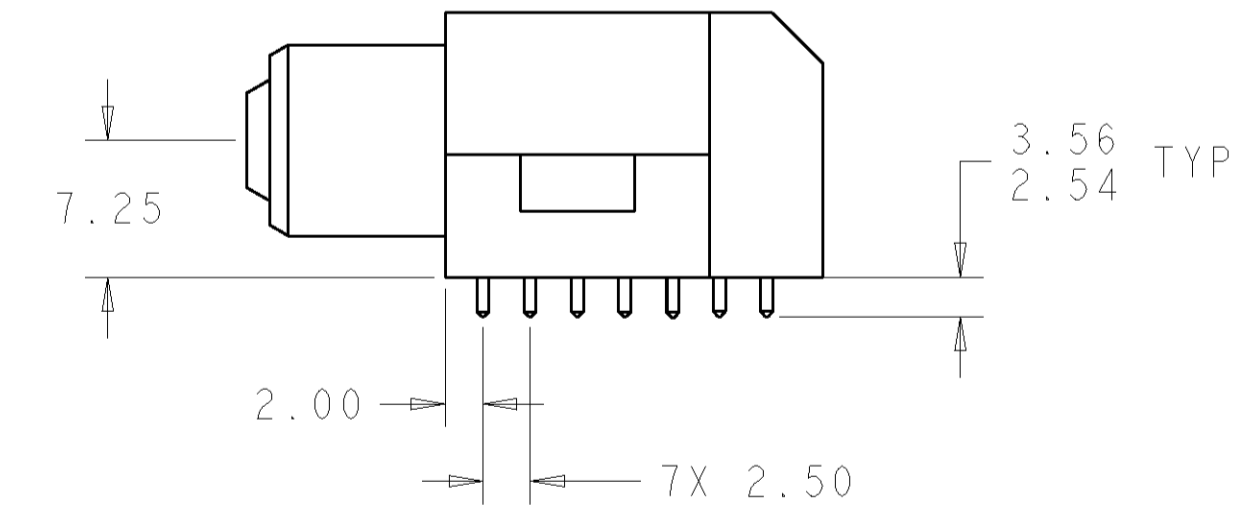
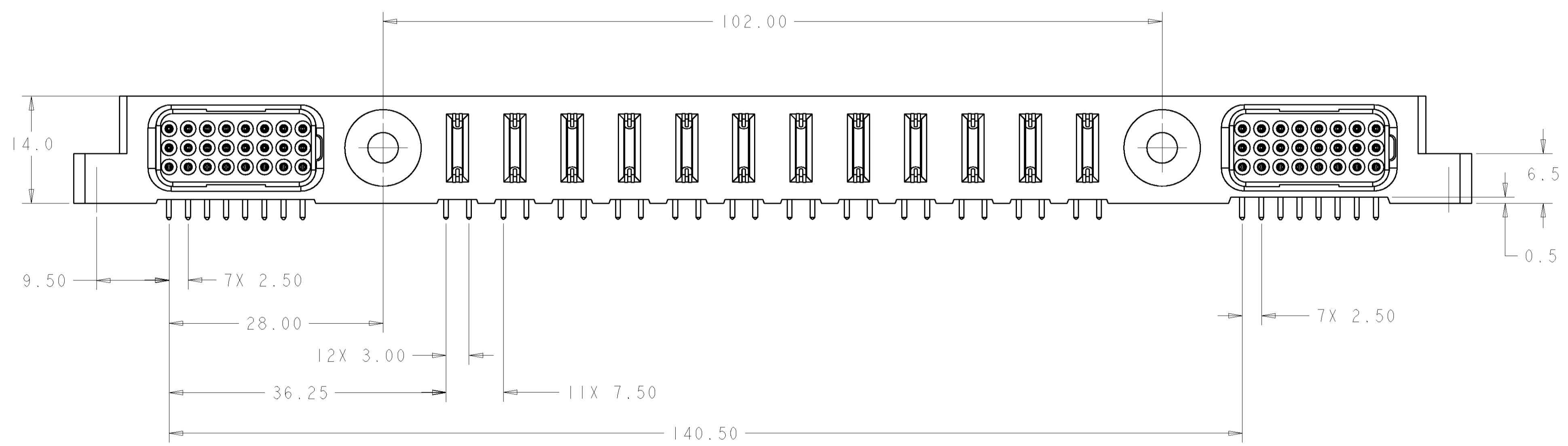
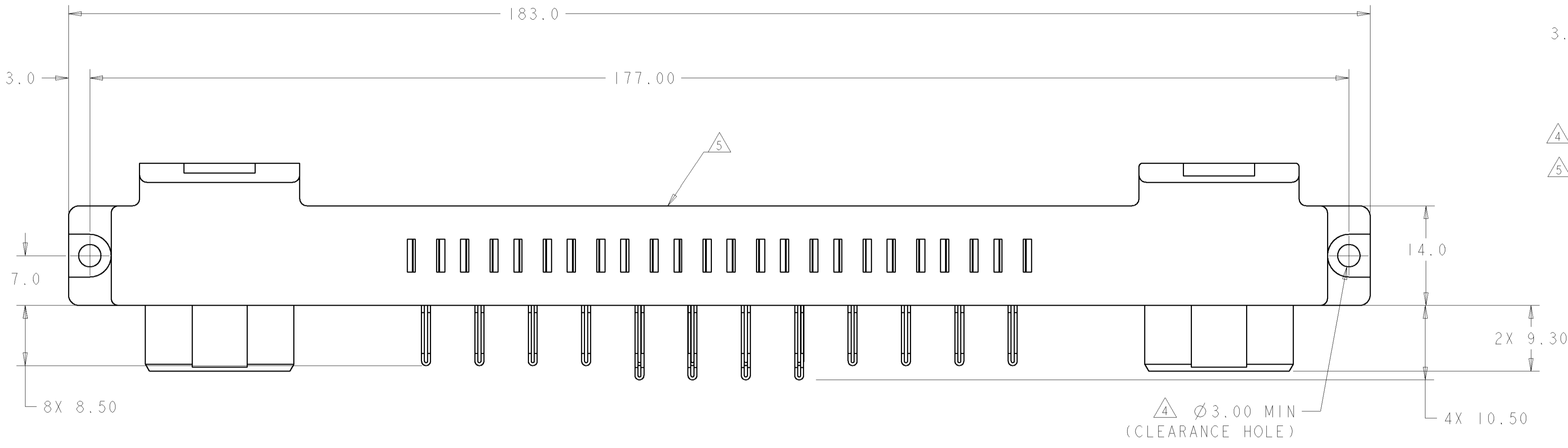


LOC	DIST	REVISIONS			
P	LTR	DESCRIPTION	DATE	DWN	APVD
A		NEW RELEASE	030CT2007	RG	PD

- PART NUMBER CHANGES AND OR DESIGN CHANGES AFFECTING ITEM INTERCHANGEABILITY REQUIRE PRIOR TYCO ELECTRONICS APPROVAL AND AUTHORIZATION BY REVISION TO THIS DRAWING.
- MATERIAL:
 - INSULATORS - THERMOPLASTIC, GLASS REINFORCED, COLOR: BLACK, UL94V-0 FLAMMABILITY RATED.
 - POWER CONTACTS - PHOSPHOR BRONZE ALLOY, COPPER ALLOY
 - SOLDER SIGNAL PINS-BRASS ALLOY
 - CROWN BAND-BERYLLIUM COPPER ALLOY
- FINISH:
 - CONTACTS - GOLD PLATE 0.76µm MIN. THK., OVER NICKEL 1.27µm MIN. THK
 - SOLDER TAILS, TIN 3.05µm MIN. THK. OVER NICKEL 1.27µm MIN. THK

- 4 MOUNTING FLANGES ACCEPT M3 OR #4-40 SCREWS, (USER SUPPLIED)
- 5 ITEMS PROVIDED TO THIS SPECIFICATION TO BE PERMANENTLY IDENTIFIED PER THE FOLLOWING IDENTIFIER LABEL

YEAR WEEK
 TYCO ELECTRONICS P/N DATE CODE (e.g. 0106)
 XXXXXXXX-X XXXX

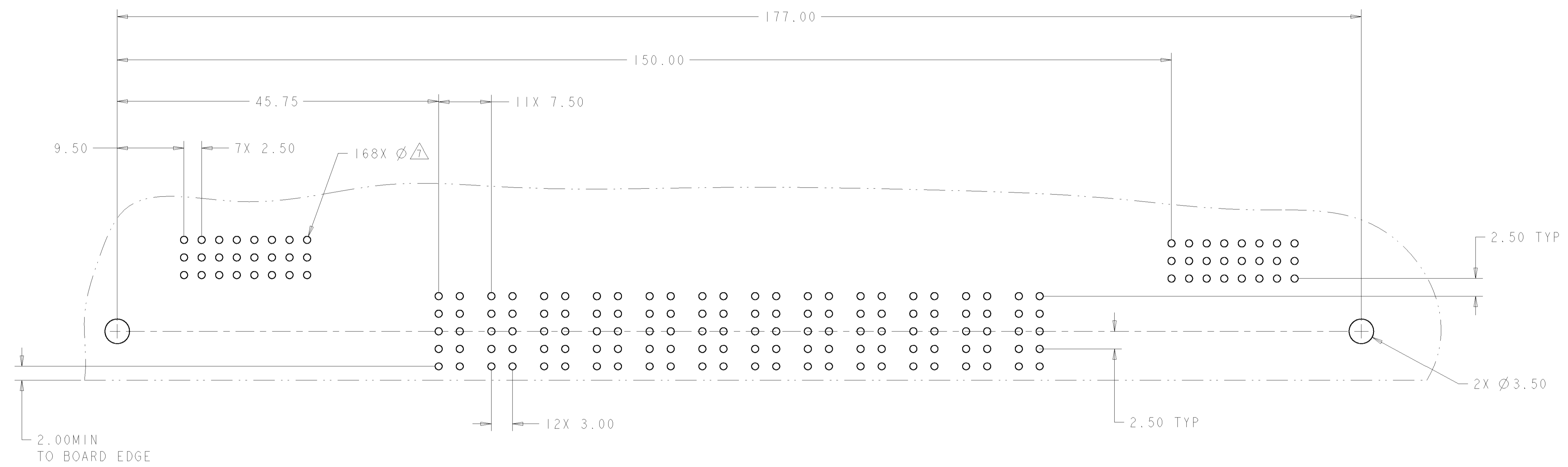


ELCON FLATPAQ

AS SHOWN	6646795-1
DESCRIPTION	PART NUMBER

DIMENSIONS: mm [INCHES] TOLERANCES UNLESS OTHERWISE SPECIFIED: 0 PLC ±.3 1 PLC ±.3 2 PLC ±.15 3 PLC ±. 4 PLC ±. ANGLES ±.5		DWN: B. GRZYBOWSKI 030CT07 ENR: S. FLICKINGER 030CT07 APVD: S. FLICKINGER 030CT07 PRODUCT SPEC: - APPLICATION SPEC: - WEIGHT: - CUSTOMER DRAWING	Tyco Electronics Harrisburg, PA 17105-3608 NAME: PIN CONNECTOR, RIGHT ANGLE, SOLDER TAILS, FLATPAQ SIZE: A 00779 C=6646795 SCALE: 3:1 SHEET 1 OF 3 REV A
---	--	--	--

LOC	DIST	REVISIONS			
P	LTR	DESCRIPTION	DATE	DWN	APVD
-	-	SEE SHEET 1	-	-	-



PRINTED CIRCUIT LAYOUT
 COMPONENT SIDE

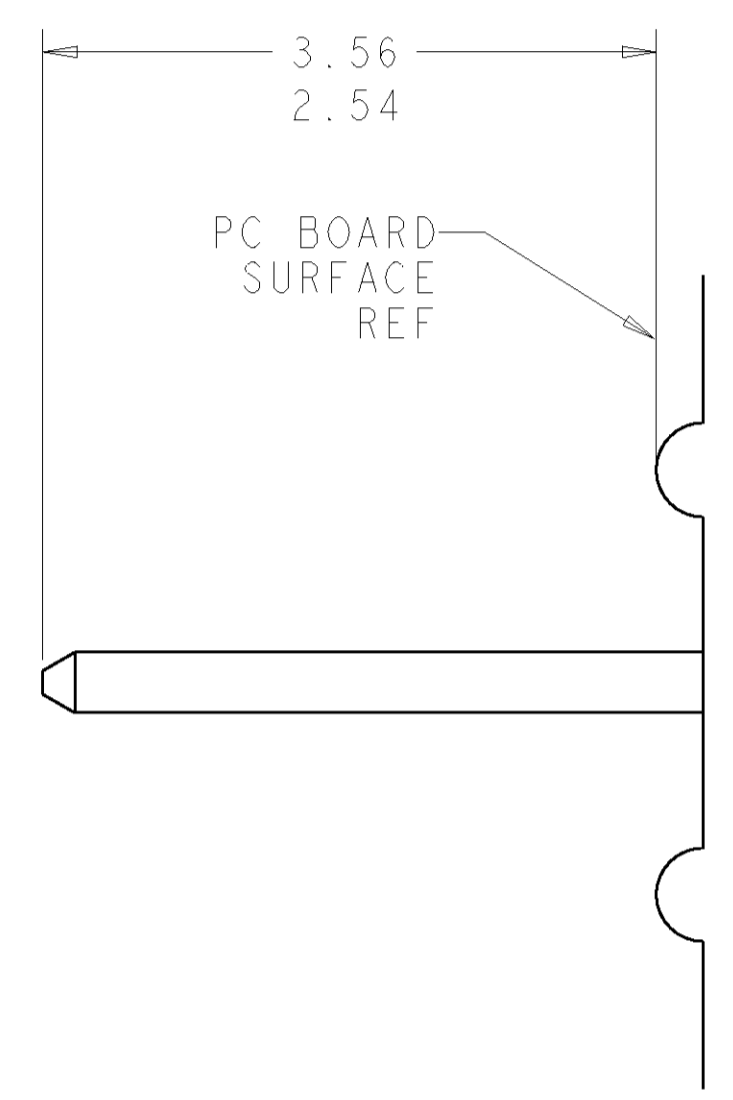
CONNECTOR	EQUIVALENT CATALOG MODULE #	SIZE NO.	CONTACT QTY	MATING PIN	MAX. CURRENT (PER CONTACT)	CONTACT SPACING	VOLTAGE RATING	
PIN	DEDICATED HOUSING	POWER	8	12	1.25 X 7.00 [.049 X .276]	35 amps	7.50 [.2953]	250 VOLTS
		SIGNAL	22	48	.64 [.025] SQ.	3 amps	2.50 [.0984]	125 VOLTS
LEFT MOUNTING FLANGE								
RIGHT MOUNTING FLANGE								

DIMENSIONS: mm [INCHES]
 TOLERANCES UNLESS OTHERWISE SPECIFIED:
 0 PLC ±.3
 1 PLC ±.3
 2 PLC ±.15
 3 PLC ±.15
 4 PLC ±.15
 ANGLES ±.5
 FINISH -
 MATERIAL -
 WEIGHT -
 CUSTOMER DRAWING

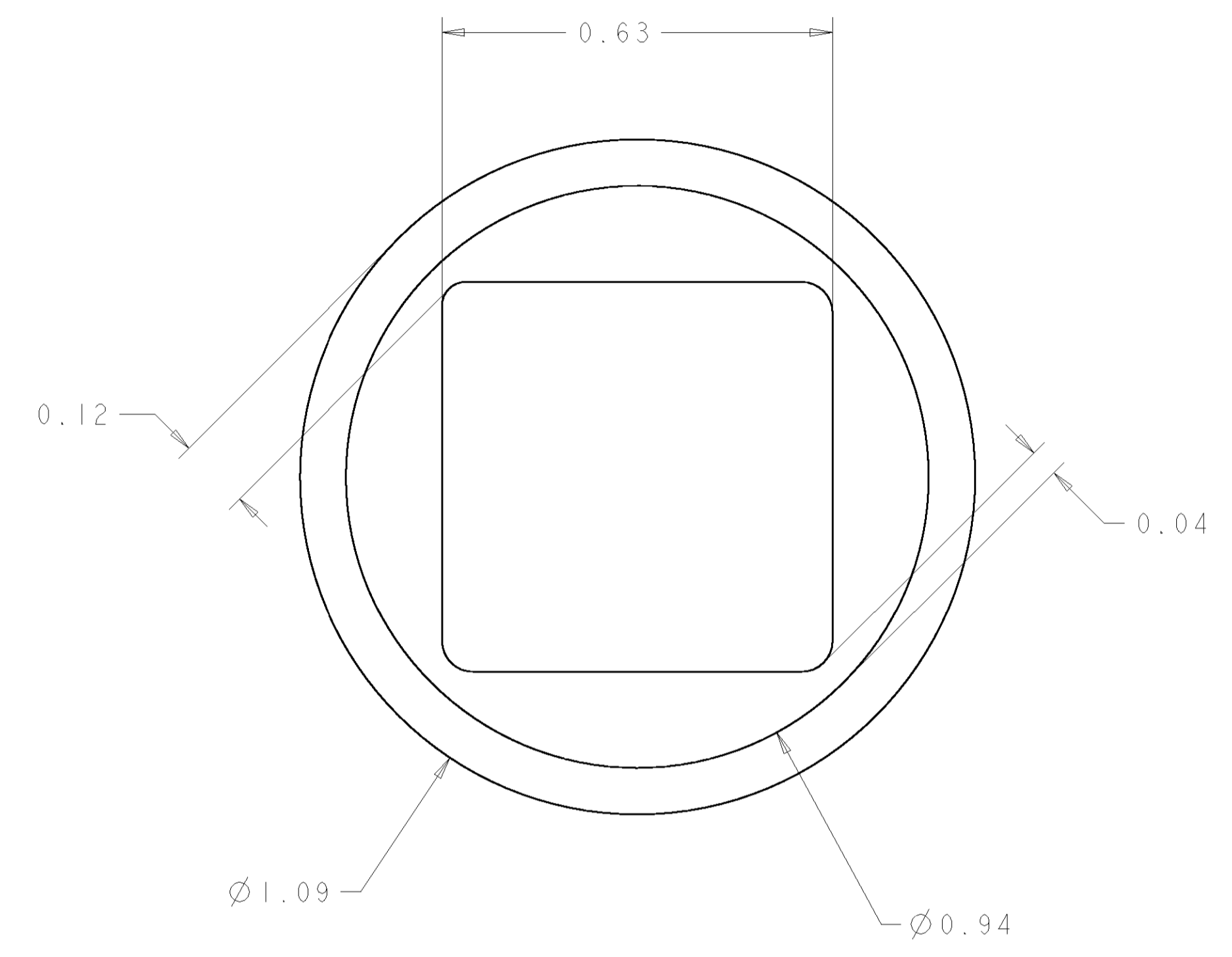
DWN: B. GRZYBOWSKI
 ENR: S. FLICKINGER
 APVD: S. FLICKINGER
 NAME: PIN CONNECTOR, RIGHT ANGLE, SOLDER TAILS, FLATPAQ
 SIZE: A | 00779 | C=6646795
 SCALE: 3:1 SHEET 2 OF 3 REV A

Tyco Electronics
 Harrisburg, PA 17105-3608

LOC	DIST	REVISIONS			
P	LTR	DESCRIPTION	DATE	DWN	APVD
-	-	SEE SHEET 1	-	-	-



6. SOLDER PIN DETAIL
SCALE 10 : 1



⚠ SOLDER TERMINATION AREA
 SCALE 40:1
 RECOMMENDED PRINTED CIRCUIT SOLDER HOLE
 FINISHED HOLE: Ø1.02 [.040] ±.08 [.003]
 DRILLED HOLE: Ø1.15 [.0453] ±.013 [.0005]
 COPPER PLATE: .025 [.0010] MIN.
 TIN PLATE: .008 [.0003] MIN. (PER SURFACE)

<small>THE INFORMATION CONTAINED HEREIN IS UNCLASSIFIED EXCEPT WHERE SHOWN OTHERWISE. IT IS THE PROPERTY OF TYCO ELECTRONICS CORPORATION AND IS TO BE CONTAINED AND CONTROLLED BY THE USER'S ORGANIZATION. IT IS TO BE DESTROYED WHEN NO LONGER REQUIRED FOR THE USER'S POSITION.</small>		DWN B. GRZYBOWSKI 03OCT07 ENR S. FLICKINGER 03OCT07 APVD S. FLICKINGER 03OCT07	Tyco Electronics Harrisburg, PA 17105-3608
DIMENSIONS: mm [INCHES]	TOLERANCES UNLESS OTHERWISE SPECIFIED: 0 PLC ±.3 1 PLC ±.3 2 PLC ±.15 3 PLC ±.1 4 PLC ±.1 ANGLES ±.5 FINISH -	NAME PRODUCT SPEC APPLICATION SPEC WEIGHT CUSTOMER DRAWING	PIN CONNECTOR, RIGHT ANGLE, SOLDER TAILS FLATPAQ SIZE CAGE CODE DRAWING NO A100779C=6646795 SCALE 3:1 SHEET 3 OF 3 REV A