



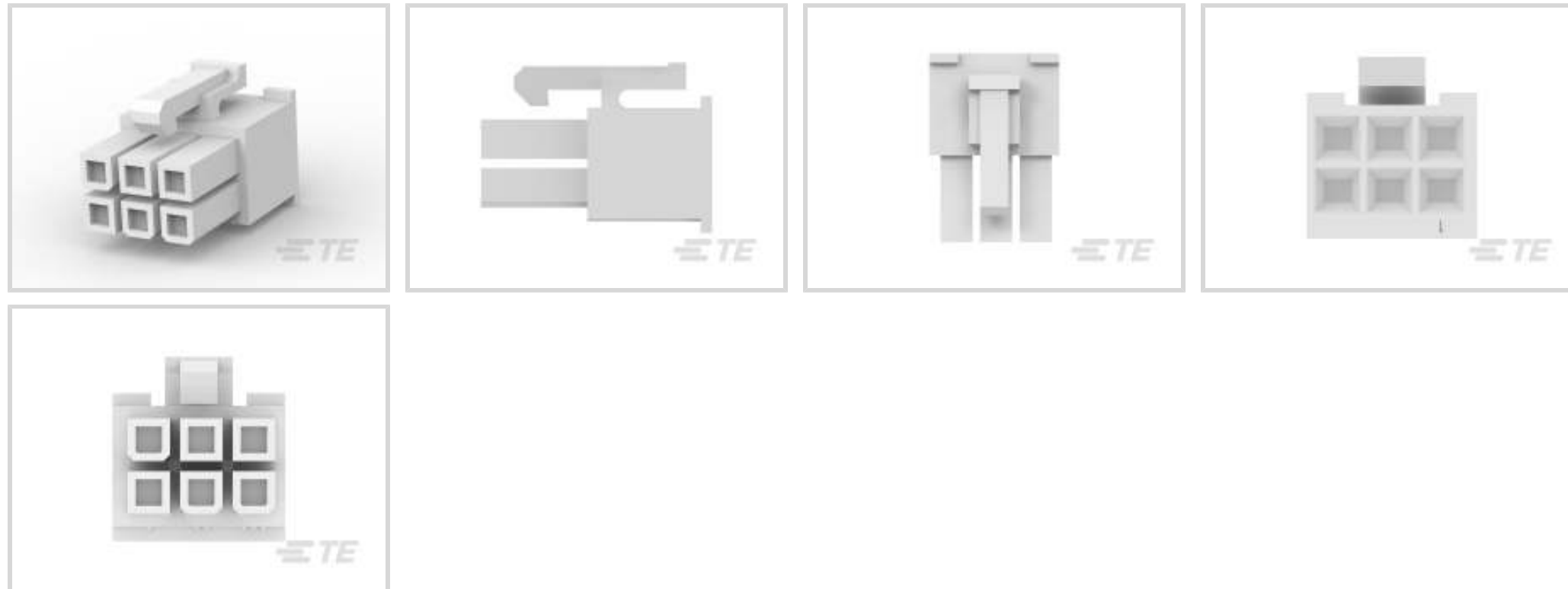
VAL-U-LOK

TE Internal #: 1586019-6

Rectangular Power Connectors, Housing, Receptacle, Wire-to-Board / Wire-to-Wire, 6 Position, 4.2 mm [.165 in] Centerline, Wire & Cable, UL 94V-0

[View on TE.com >](#)

Connectors > Power Connectors > Rectangular Power > Rectangular Power Connectors



Rectangular Power Connector Type: **Housing**

Connector & Housing Type: **Receptacle**

Connector System: **Wire-to-Board, Wire-to-Wire**

Number of Positions: **6**

Centerline (Pitch): **4.2 mm [.165 in]**

**Features**

**Product Type Features**

Rectangular Power Connector Type	Housing
Connector & Housing Type	Receptacle
Connector System	Wire-to-Board, Wire-to-Wire
Sealable	No
Connector & Contact Terminates To	Wire & Cable

**Configuration Features**

Insertion Force	15 Newton
Compatible With Wire & Cable Type	Discrete Wire
Number of Positions	6
Number of Rows	2

**Electrical Characteristics**

Operating Voltage	600 VAC
-------------------	---------

**Contact Features**

Contact Layout	Matrix
----------------	--------



Contact Retention Within Housing	Without
Contact Type	Receptacle
<b>Termination Features</b>	
Termination Method to Wire & Cable	Crimp
<b>Mechanical Attachment</b>	
Connector Mounting Type	Cable Mount (Free-Hanging)
<b>Housing Features</b>	
Centerline (Pitch)	4.2 mm [.165 in]
Housing Color	White
Housing Material	Nylon
<b>Dimensions</b>	
Connector Height	11.8 mm [.464 in]
Product Width	20 mm [.787 in]
Product Length	13.8 mm [.543 in]
Compatible Insulation Diameter Range	1.2 – 3.1 mm [.047 – .122 in]
Row-to-Row Spacing	4.2 mm [.165 in]
<b>Usage Conditions</b>	
Operating Temperature Range	-40 – 105 °C [-40 – 221 °F]
<b>Operation/Application</b>	
Circuit Application	Power & Signal
<b>Identification Marking</b>	
Circuit Identification Feature	With
<b>Industry Standards</b>	
UL Rating	Recognized
Agency/Standard	UL
Approved Standards	UL E28476
UL Flammability Rating	UL 94V-0
Glow Wire Rating	Standard Part - Not Glow Wire
<b>Packaging Features</b>	
Packaging Quantity	500
Packaging Method	Bag



## Product Compliance

[For compliance documentation, visit the product page on TE.com>](#)

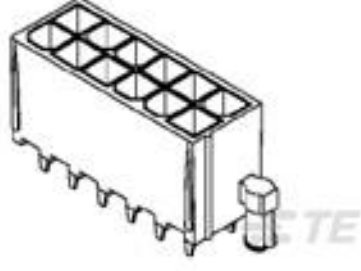
EU RoHS Directive 2011/65/EU	Compliant
EU ELV Directive 2000/53/EC	Compliant
China RoHS 2 Directive MIIT Order No 32, 2016	No Restricted Materials Above Threshold
EU REACH Regulation (EC) No. 1907/2006	Current ECHA Candidate List: JUNE 2023 (235) Candidate List Declared Against: JAN 2023 (233) Does not contain REACH SVHC
Halogen Content	Low Halogen - Br, Cl, F, I < 900 ppm per homogenous material. Also BFR/CFR/PVC Free
Solder Process Capability	Not applicable for solder process capability

### Product Compliance Disclaimer


This information is provided based on reasonable inquiry of our suppliers and represents our current actual knowledge based on the information they provided. This information is subject to change. The part numbers that TE has identified as EU RoHS compliant have a maximum concentration of 0.1% by weight in homogenous materials for lead, hexavalent chromium, mercury, PBB, PBDE, DBP, BBP, DEHP, DIBP, and 0.01% for cadmium, or qualify for an exemption to these limits as defined in the Annexes of Directive 2011/65/EU (RoHS2). Finished electrical and electronic equipment products will be CE marked as required by Directive 2011/65/EU. Components may not be CE marked. Additionally, the part numbers that TE has identified as EU ELV compliant have a maximum concentration of 0.1% by weight in homogenous materials for lead, hexavalent chromium, and mercury, and 0.01% for cadmium, or qualify for an exemption to these limits as defined in the Annexes of Directive 2000/53/EC (ELV). Regarding the REACH Regulation, the information TE provides on SVHC in articles for this part number is based on the latest European Chemicals Agency (ECHA) 'Guidance on requirements for substances in articles' posted at this URL: <https://echa.europa.eu/guidance-documents/guidance-on-reach>

## Compatible Parts


 <p>TE Part # 1586038-6 6P VRT HDR VAL-U-LOK V0</p>	 <p>TE Part # 1586018-6 6P PM PLUG VAL-U-LOK V0</p>	 <p>TE Part # 1586040-6 6P VAL-U-LOK VRT HDR W/P V0</p>	 <p>TE Part # 1586017-6 6P FH PLUG VAL-U-LOK V0</p>
--	---	--	--

TE Part # 794396-3  
AMP DUAC/PL 06P VRT HDR ASSY



TE Part # 1969613-6  
6P PM PLUG VAL-U-LOK V0



TE Part # 1969612-6  
6P FH PLUG VAL-U-LOK V0



TE Part # 1586042-6  
6P VAL-U-LOK R/A HDR V0




TE Part # 1586044-6  
6P VAL-U-LOK R/A HDR SCR MT V0



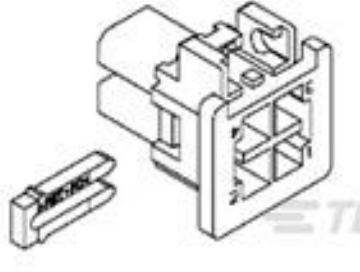
TE Part # 2825272-6  
6P VERT HDR VAL-U-LOK HCS GW



TE Part # 5-1586041-6  
6P VAL-U-LOK R/A HDR V2 WITH 5PIN TML



TE Part # 794145-3  
AMP DUAC/PL 06P LOCK

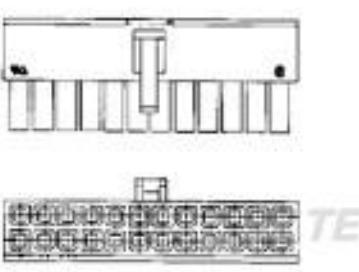


TE Part # 794319-1  
AMP DUAC/PL 06P KIT BULK PKG

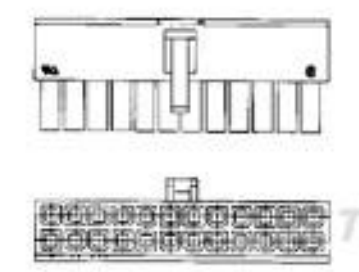
### Customers Also Bought



TE Part #5645946-2  
SKT,MIN-SPR B-N SN-AU SER-1.5




TE Part #1586019-8  
8P RCPT VAL-U-LOK V0



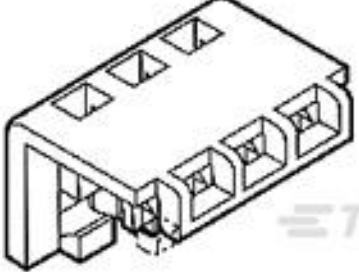
TE Part #1586019-4  
4P RCPT VAL-U-LOK V0



TE Part #1586018-6  
6P PM PLUG VAL-U-LOK V0



TE Part #794958-3  
VAL-U-LOK SKT PHBZ SN 22-26AWG



TE Part #1-643067-0  
10P MTA156 MOLDED COVER



TE Part #1586055-3  
VAL-U-LOK SKT PHBZ SN 16AWG



TE Part #63606-4  
187 FASTON REC 18-14 AWG TPBR

### Documents



### Product Drawings

#### 6P RCPT VAL-U-LOK V0

English

---

### CAD Files

#### 3D PDF

3D

#### Customer View Model

[ENG\\_CVM\\_CVM\\_1586019-6\\_C.2d\\_dxf.zip](#)

English

#### Customer View Model

[ENG\\_CVM\\_CVM\\_1586019-6\\_C.3d\\_igs.zip](#)

English

#### Customer View Model

[ENG\\_CVM\\_CVM\\_1586019-6\\_C.3d\\_stp.zip](#)

English

By downloading the CAD file I accept and agree to the [Terms and Conditions](#) of use.

---

### Datasheets & Catalog Pages

#### SOFT\_SHELL\_PIN\_AND\_SOCKET\_CONNECTORS\_CATALOG

English

---

### Product Specifications

#### Application Specification

English

---

### Product Environmental Compliance

#### Product Compliance Document

English

#### Product Compliance Document

English

---

### Agency Approvals

#### UL Report

English