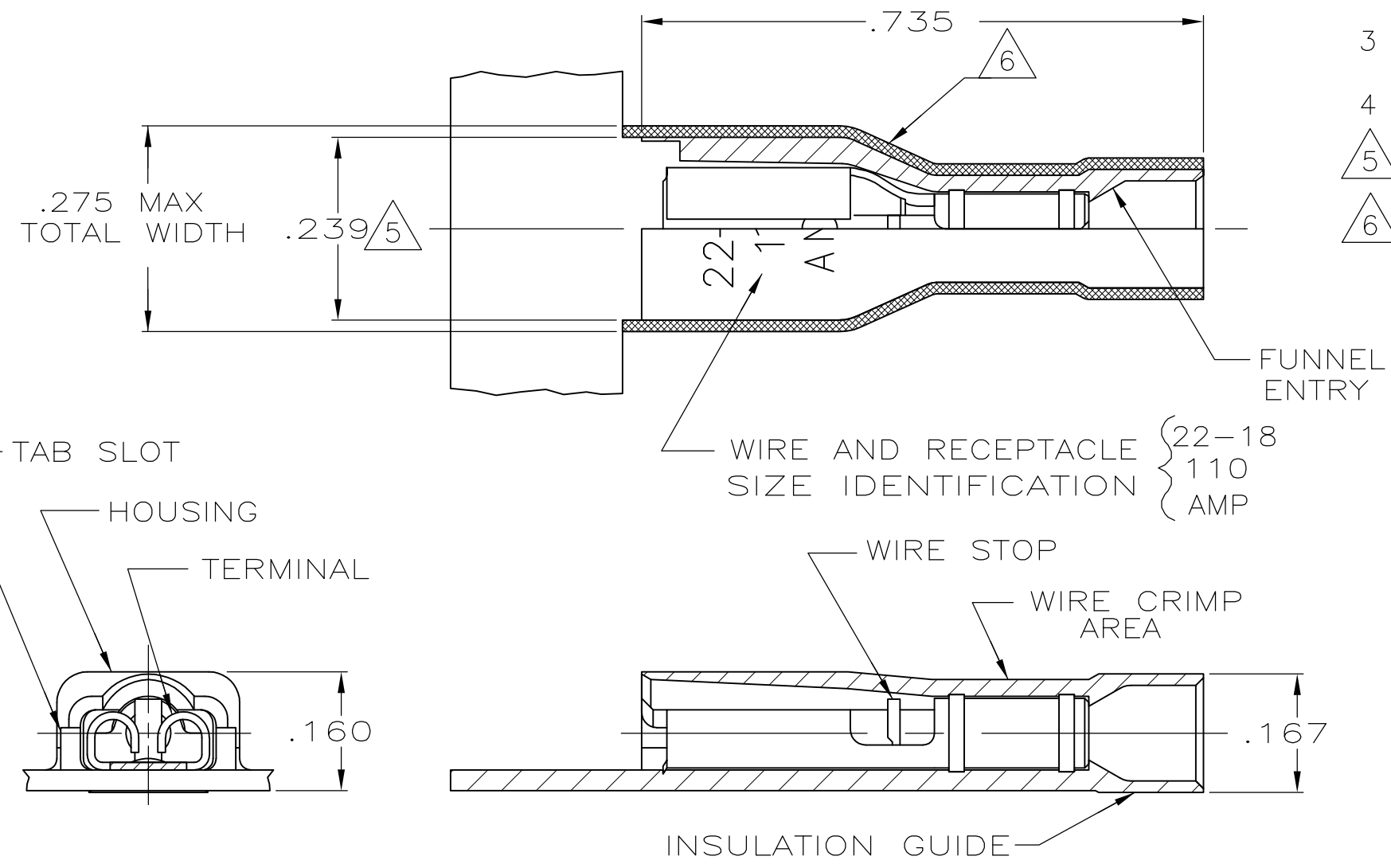


THIS DRAWING IS UNPUBLISHED. RELEASED FOR PUBLICATION  
 © COPYRIGHT - By - ALL RIGHTS RESERVED.

LOC	DIST	REVISIONS					
		P	LTR	DESCRIPTION	DATE	DWN	APVD
AF	50		R	REVISED PER ECR-13-004343	18JUL12	KH	KR

- 1 MATES WITH .016±.001X.110 OR .125 TAB
- 2 WIRE STRIP LENGTH .281
- 3 INSULATION SIZE .120 MAX DIA
- 4 CONTINUOUS STRIP ON REELS
- △5 DIMENSION DOES NOT INCLUDE TRIM BURR
- △6 .015 MAX CARRIER TRIM BURR PER SIDE IS ALLOWABLE IN THE SHADED AREA



HOUSING: NYLON, COLOR-RED TRANSLUCENT	2-520080-2
RECEPTACLE: BRASS TIN	
MATERIAL & FINISH	PART NO

THIS DRAWING IS A CONTROLLED DOCUMENT.		DWN P FORTNEY 11/8/88	<b>STE</b> TE Connectivity	
DIMENSIONS: INCHES		CHK MS FEHER 11/8/88		
TOLERANCES UNLESS OTHERWISE SPECIFIED:		APVD K RANDOLPH 11/10/88	NAME	
0 PLC ± -		PRODUCT SPEC	RECEPTACLE ASSY, ULTRA-FAST, .110/.125 SERIES, 22-18AWG	
1 PLC ± -		108-2043	SIZE	
2 PLC ± -		APPLICATION SPEC	CAGE CODE	DRAWING NO
3 PLC ± .015		114-2123	A3 00779 C-520080	
4 PLC ± -		WEIGHT	RESTRICTED TO	
ANGLES ± -		-	-	
MATERIAL SEE TABLE	FINISH SEE TABLE	CUSTOMER DRAWING		
		SCALE	SHEET	REV
		5:1	1 OF 1	R