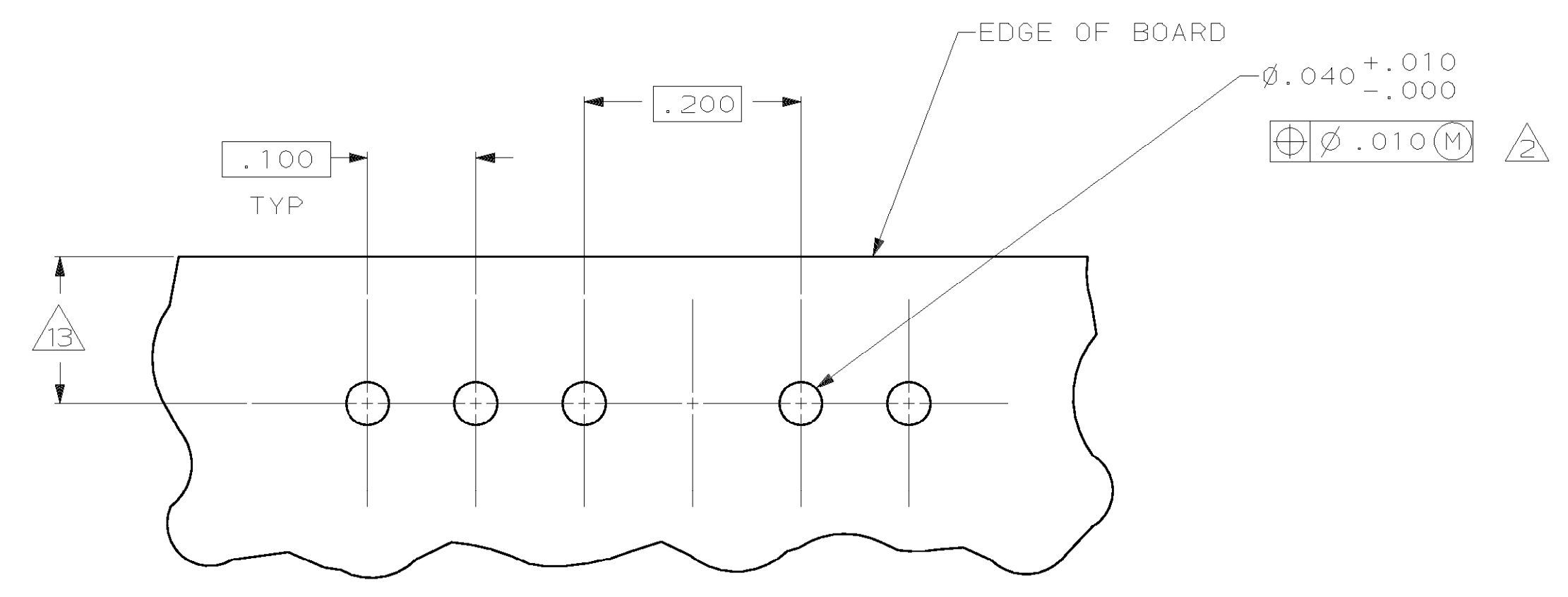
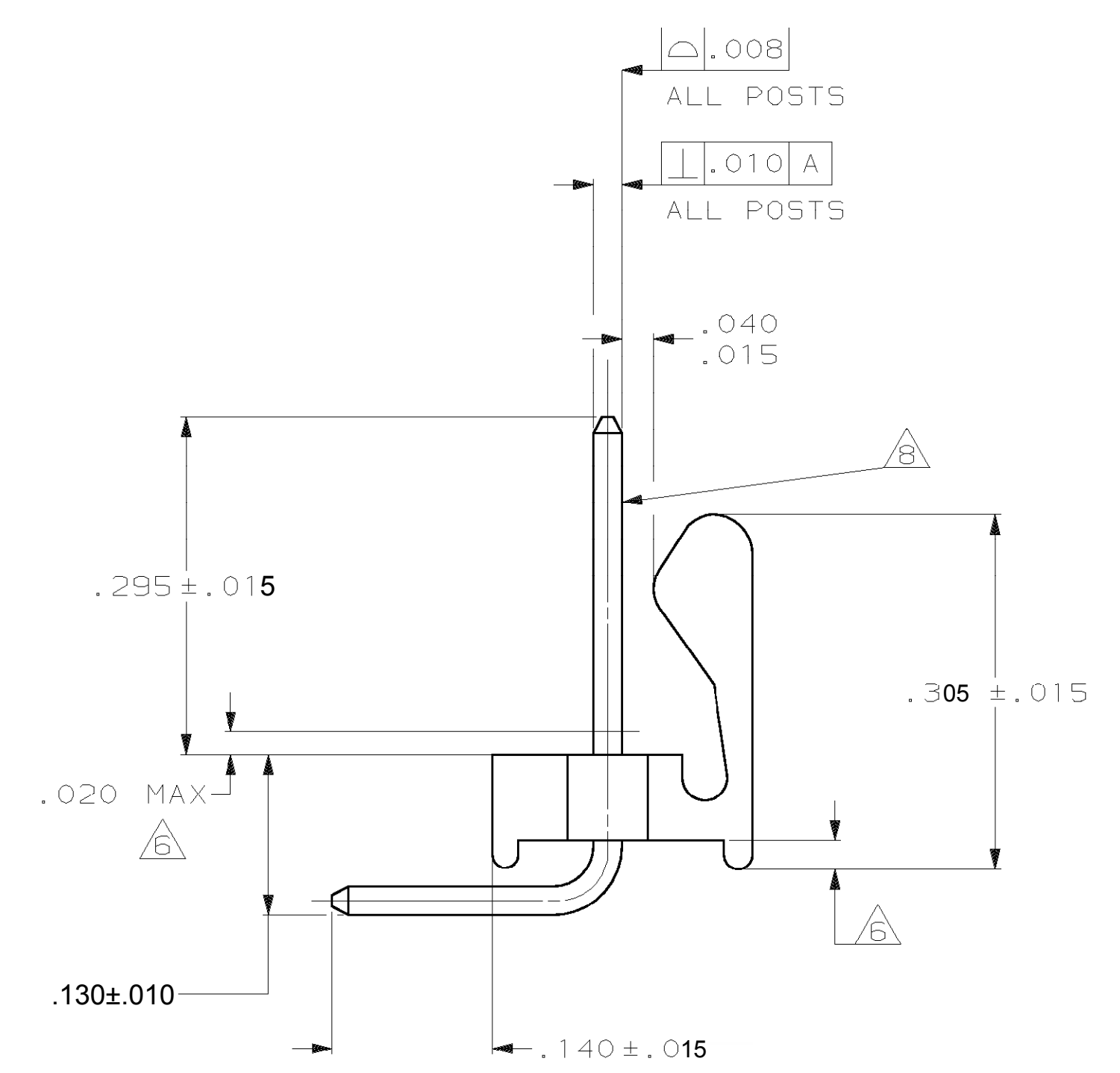
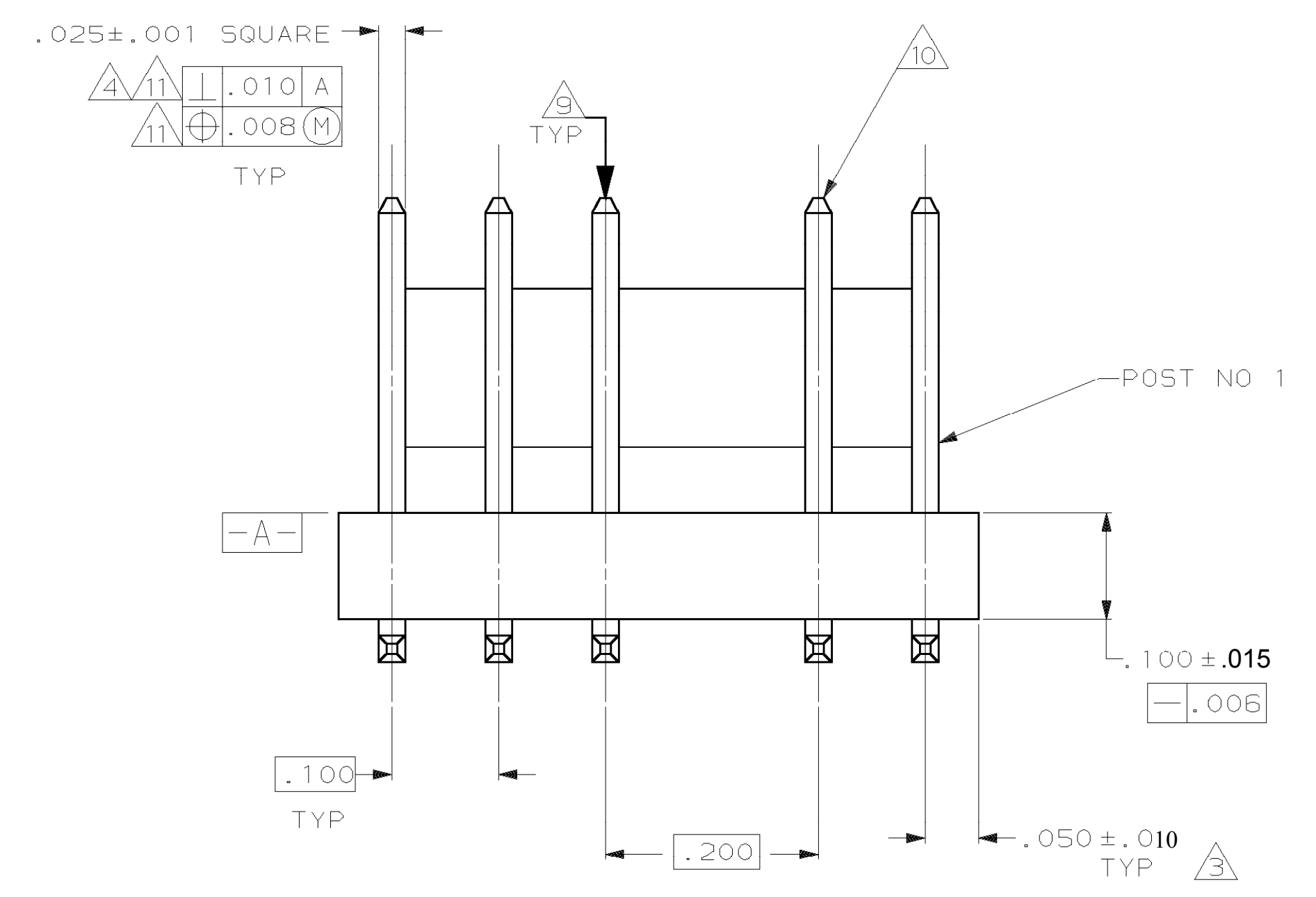
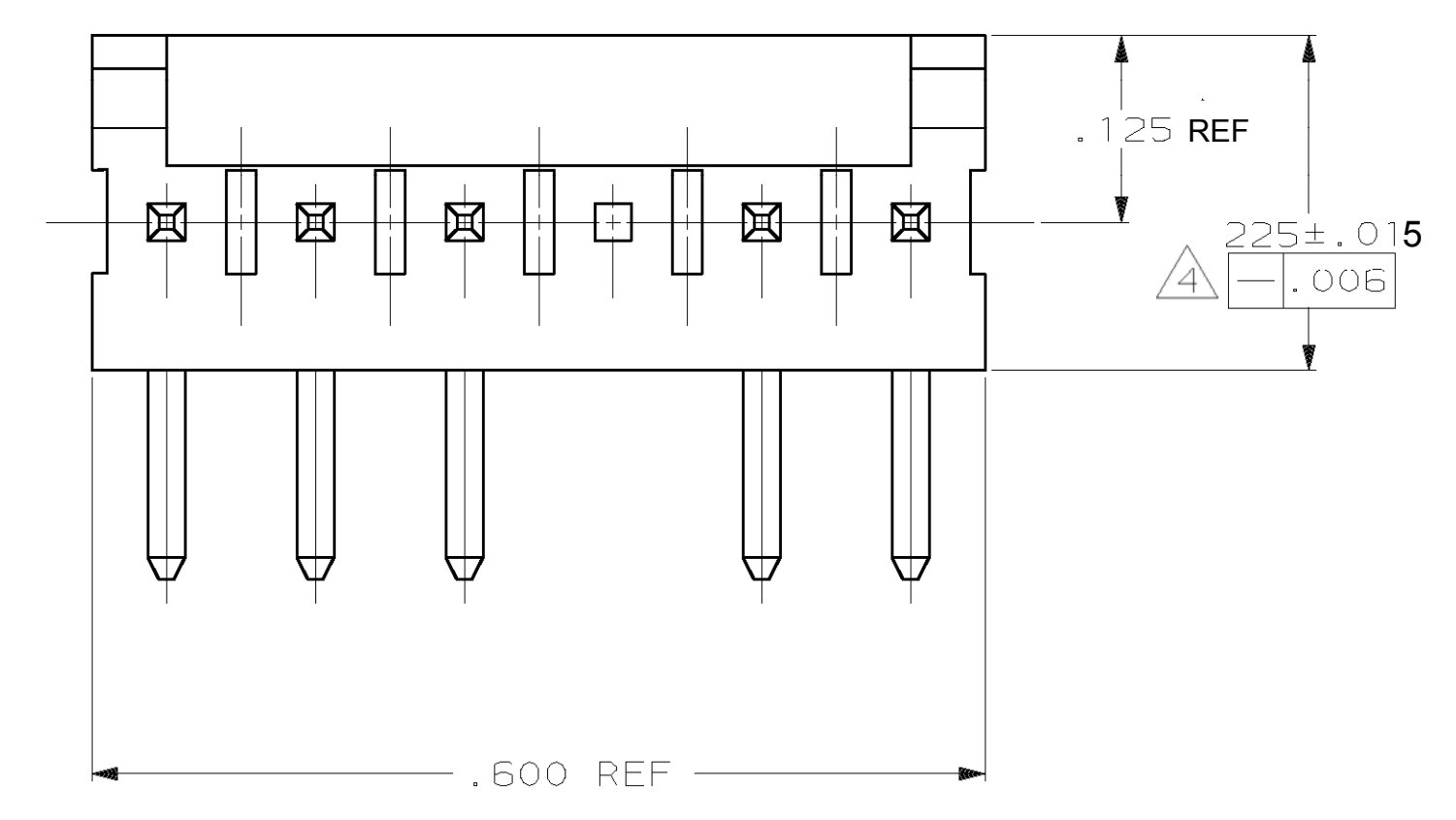


LOC		D1ST		P		F		ZONE		LTR		REVISIONS		DATE	DWN	APVD
CM	54													07MAR16	NK	NL
W2												REVISED PER ECR-15-014064				



RECOMMENDED MOUNTING HOLE PATTERN FOR .063 THICK P.C. BOARD

IN	MM	IN	MM
.050	1.27	-	-
.040	1.02	.600	15.24
.035	0.89	.310	7.87
.032	0.81	.295	7.49
.025	0.64	.225	5.72
.020	0.51	.200	5.08
.015	0.38	.160	4.06
.010	0.25	.140	3.56
.008	0.20	.125	3.18
.006	0.15	.120	3.05
.005	0.13	.110	2.79
.003	0.08	.100	2.54
.001	0.03	.063	1.60

CONVERSION TABLE

- 1 MATERIAL: HEADER THERMPLASTIC POLYESTER
UL94V-0 (NATURAL)
POST COPPER ALLOY
- 2 ONE HOLE MAY BE UNDERSIZED (.032-.035 DIA) FOR ASSEMBLY RETENTION DURING WAVE SOLDERING.
- 3 COORDINATE DIMENSION APPLIES FROM CENTER OF ACTUAL FEATURE.
- 4 MEASURED AT -A-
- 5 ASSEMBLIES MUST COMPLY WITH AMP SOLDERABILITY SPEC. NO. 109-11-2.
- 6 PLASTIC AROUND POST PERMISSIBLE IN THIS AREA ONLY.
- 7 PLASTIC BURRS CAUSED BY CUT-OFF TOOLING ARE PERMITTED WITHIN THE MAXIMUM TOLERANCE ENVELOPE.
- 8 POSTS MUST WITHSTAND TWO 90° BENDS AGAINST EXTRUSION WITHOUT BREAKING.
- 9 POST TO WITHSTAND 3 LBS MIN. AXIAL FORCE IN DIRECTION SHOWN WITHOUT DISLODGING.
- 10 PIN BURRS OF .005 MAX VERTICAL AND .003 MAX HORIZONTAL PERMITTED AT POST TIPS ON BOTH ENDS.
- 11 POSTS TO BE MEASURED WHEN STRIP IS HELD FLAT.
- 12 SOLDER SIDE OF BOARD SHOWN.
- 13 DIMENSION SHOULD BE .110-.160 WHEN MATING WITH A MTA-100 CONNECTOR ASSEMBLY OR .110-.120 WHEN MATING WITH A CST 100 CONNECTOR.

644679-1 SHOWN

5		644679-2	
3		644679-1	
POST NUMBER OMITTED		PART NO	
DR 9-9-92 K. SALMON		TE Connectivity	
CHK 9-9-92 R. SWING			
APPD 9-14-92 R. SPEER		NAME MTA-100 HEADER ASSEMBLY, FRICTION LOCK, NOTCHED, .025 SQUARE RIGHT ANGLE POST, TIN PLATED, 6 POSITION, OMITTED POST	
APPD 9-14-92 R. SPEER		PRODUCT SPEC -	
MATERIAL		FINISH	
DO NOT SCALE PRINT. UNLESS SPECIFIED DIMENSIONS IN mm [INCHES] TOLERANCES ON: 2 PLC DEC ± - 3 PLC DEC ± .005 ANGLES ± 0°30'		APPLICATION SPEC -	
∠		SIZE	CAGE CODE
∠		D	00779
∠		DRAWING NO	C-644679
∠		REVISION	W2
∠		SCALE	8:1
∠		SHEET	1 OF 1