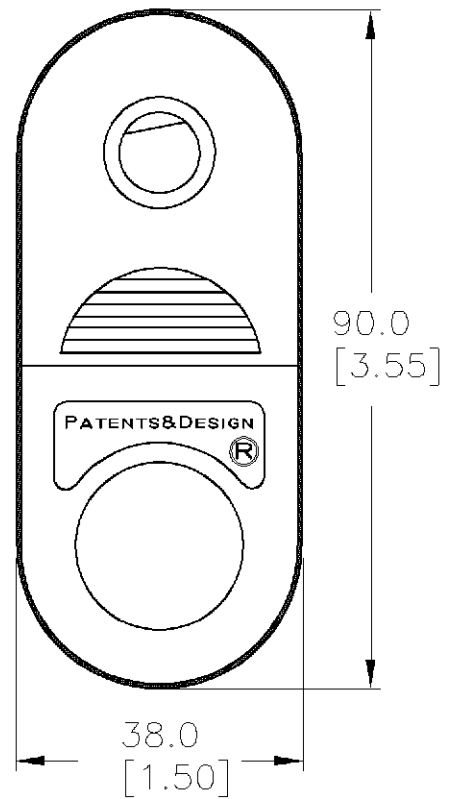
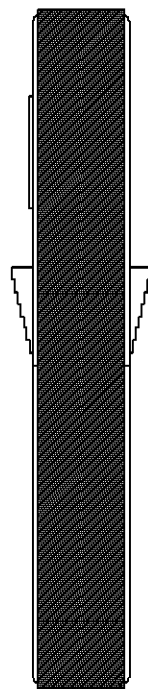
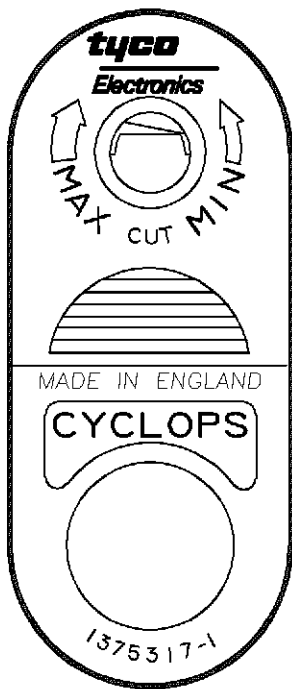


LOC	DIST	REVISIONS					
A	40	P	LTR	DESCRIPTION	DATE	DWN	APVD
		A		EC 0150-0643-02	5-02	WH	RS

1 MATERIAL: 30% GLASS REINFORCED NYLON,  
COLOR: LIGHT GRAY.



13.0  
[.51]

38.0  
[1.50]

90.0  
[3.55]

1375317-1 AS SHOWN

RELEASED FOR PUBLICATION

ALL RIGHTS RESERVED.

BY TYCO ELECTRONICS CORPORATION.

THIS DRAWING IS UNPUBLISHED.



DIMENSIONS: MM [INCHES]	DWN	L. HALL	14FEB01	MATERIAL	1	FINISH	-
	CHK	B. TRIPPE	14FEB01	Tyco Electronics Corporation Harrisburg, PA 17105			
TOLERANCES UNLESS OTHERWISE SPECIFIED:	APVD	B. TRIPPE	14FEB01	NAME			
	PRODUCT SPEC			CYCLOPS 2, CABLE JACKET STRIPPER			
0 PLC ± -	APPLICATION SPEC			SIZE	CAGE CODE	DRAWING NO	RESTRICTED TO
1 PLC ± -	WEIGHT			A4	00779	C-1375317	-
2 PLC ± .02 [.51]	CUSTOMER DRAWING						
3 PLC ± -	SCALE			1:1	SHEET	1 OF 1	REV
4 PLC ± -	ANGLES			A			

