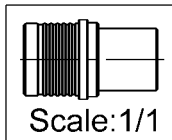
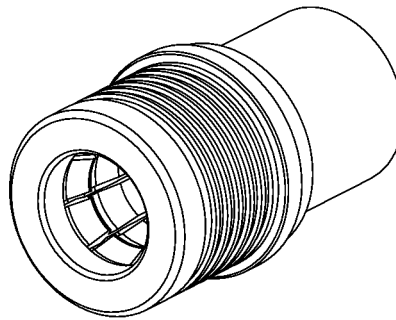
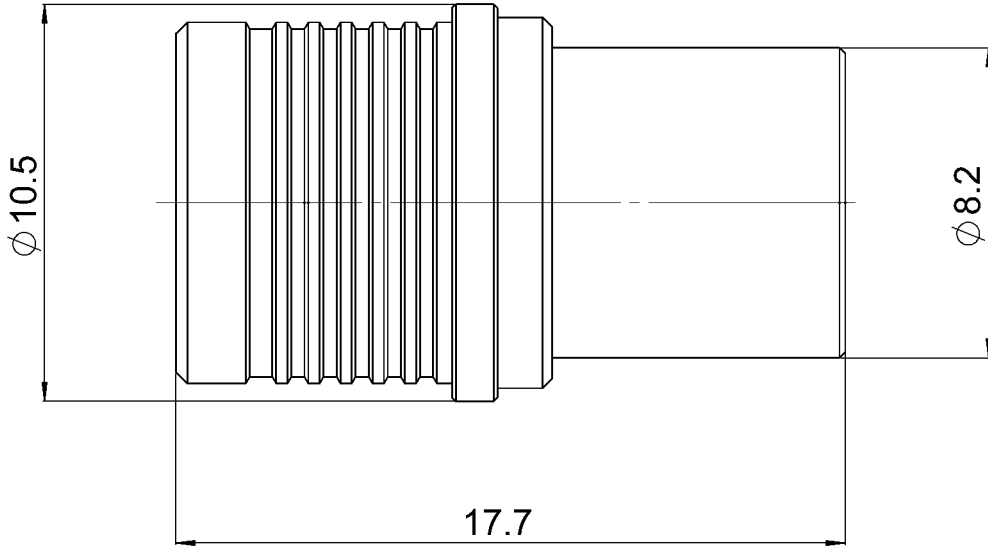
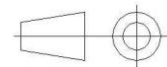


PAGE 1/2	ISSUE 15-05-15F	SERIES <b>TERMINATION</b>	PART NUMBER <b>R404114000</b>
----------	-----------------	------------------------------	-------------------------------



All dimensions are in mm.



COMPONENTS	MATERIALS	PLATING ( $\mu\text{m}$ )
Body	<b>BRASS</b>	<b>BBR</b>
Center contact	<b>BRASS</b>	<b>GOLD OVER COPPER</b>
Outer contact	<b>BRONZE</b>	<b>BBR</b>
Insulator	<b>PTFE</b>	
Gasket	-	
Substrate		
Resistor		
Others parts	-	-

PAGE 2/2	ISSUE <b>15-05-15F</b>	SERIES <b>TERMINATION</b>	PART NUMBER <b>R404114000</b>
----------	------------------------	------------------------------	-------------------------------

**ELECTRICAL CHARACTERISTICS**

Frequency (GHz)	DC-1	1-4
V.S.W.R (≤)	1.08	1.20

Operating Frequency Range	<b>DC - 4</b>	GHz
Impedance	<b>50</b>	Ω
DC Resistance	<b>50</b>	Ω ± 5%
Peak power at 25°C (1μs, 1% <sub>0</sub> )	<b>100</b>	W
Average power at 25°C	<b>1</b>	W (Free Air Cooled)
		W (Conduction Cooled)

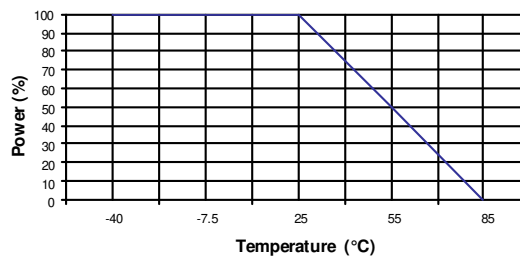
**MECHANICAL CHARACTERISTICS**

Connectors	<b>QMA</b>	<b>Male</b>	
Weight	<b>6.0400</b>	g	

**ENVIRONMENTAL CHARACTERISTICS**

Operating temperature range	<b>-40/+105</b>	°C
Storage temperature range	<b>-40/+105</b>	°C

**Power derating Versus temperature**



**SPECIFICATION**

**1301 ULM 102 126 Rev. PA1**

**OTHER CHARACTERISTICS**