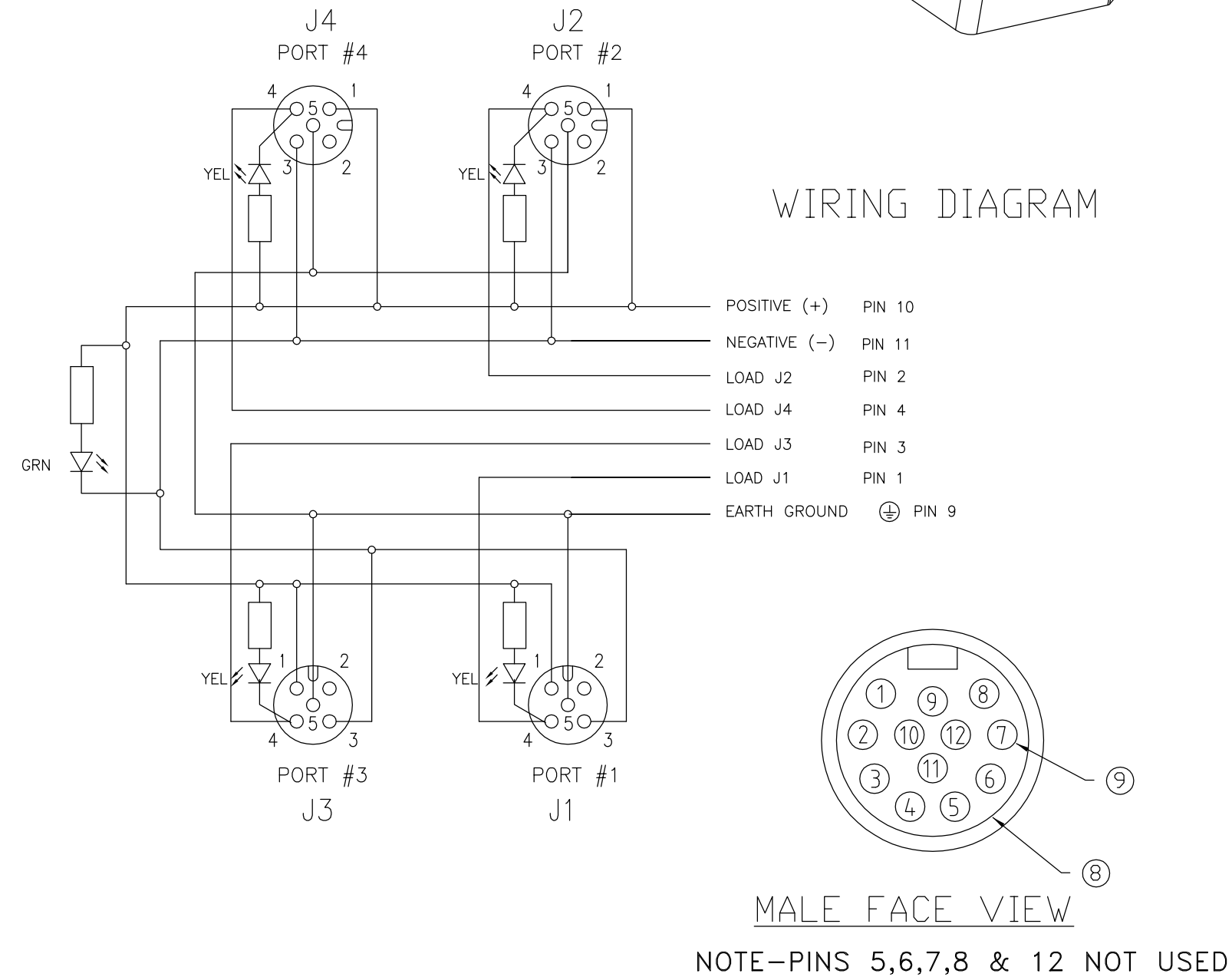
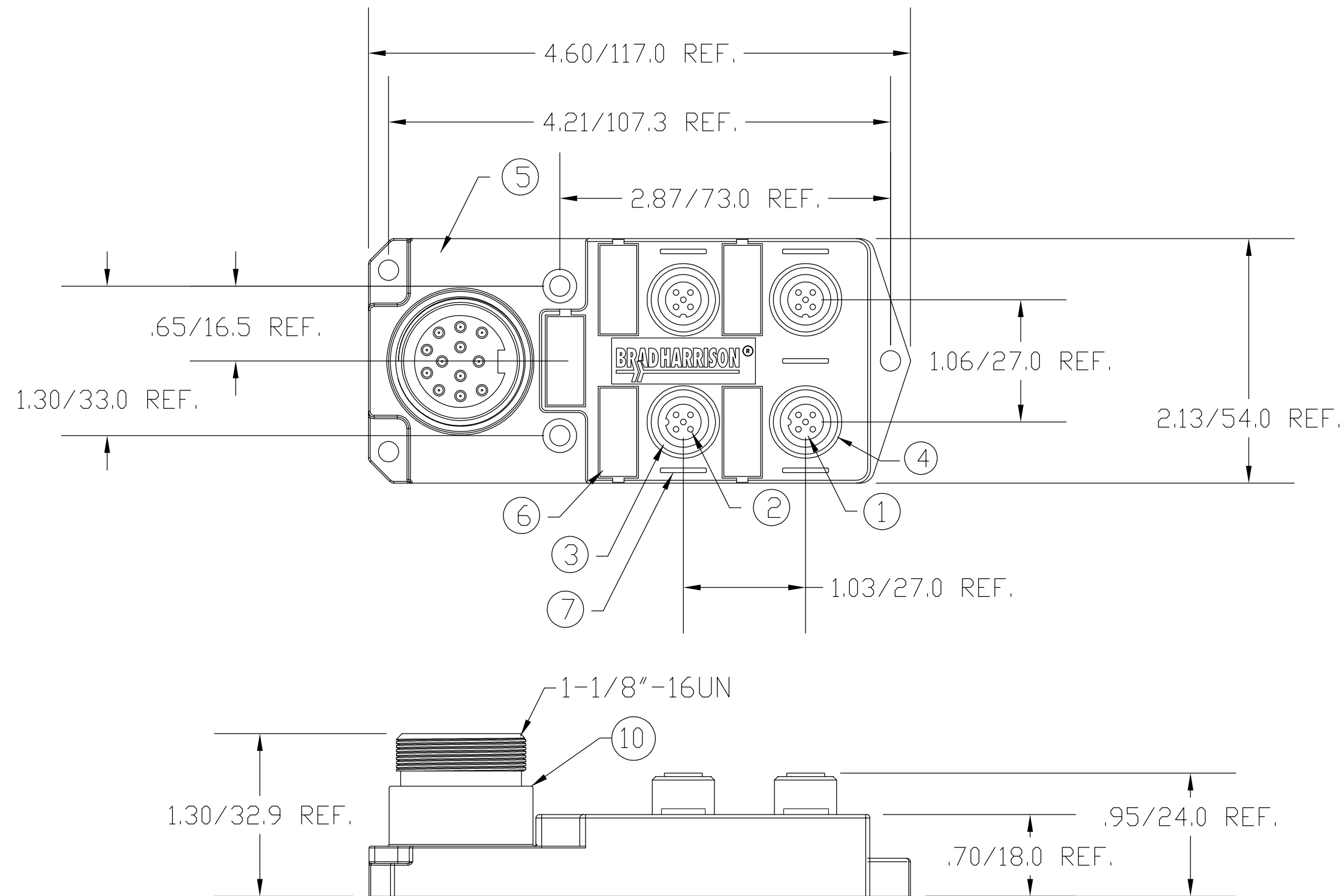
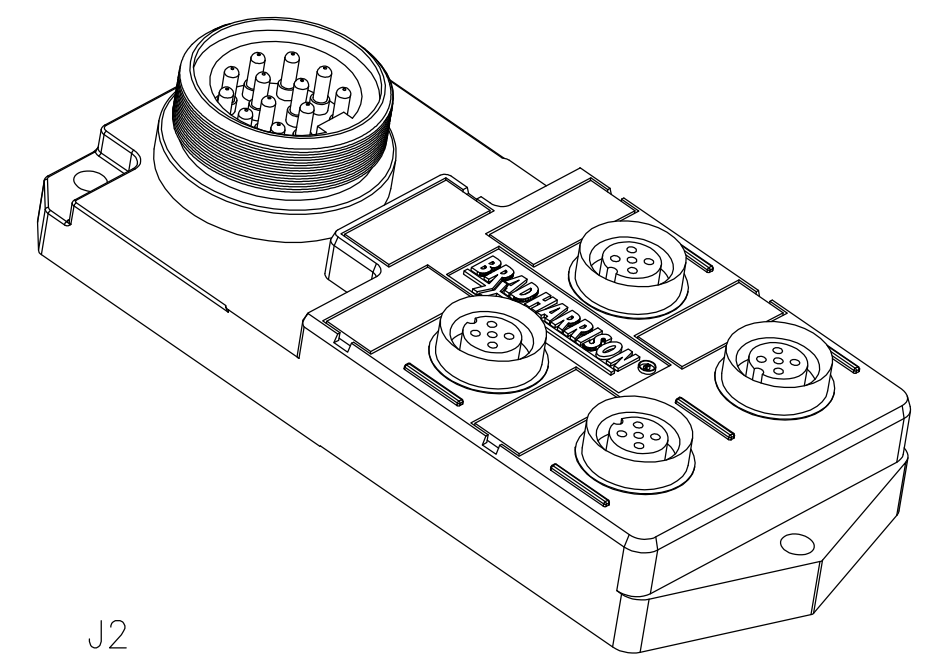


13	12	11	10	9	8	7	6	5	4	3	2	1
MATERIAL NUMBER	OLD PART NUMBER											
120114-0014	BTY401N-FBB											



ITEM	COMPONENT	MATERIAL	FINISH
1	INSERT	NYLON	BLACK
2	CONTACT SOCKET	COPPER ALLOY	GOLD OVER NICKEL
3	O-RING	NITRILE	RED
4	RECEPTACLE SHELL	BRASS	NICKEL PLATED
5	HOUSING	PBT	YELLOW
6	LABEL	ABS	WHITE
7	LENS	NYLON	CLEAR
8	INSERT	PVC	YELLOW
9	CONTACT PIN	COPPER ALLOY	GOLD OVER NICKEL
10	RECEPTACLE SHELL	BRASS	NICKEL PLATED

VOLTAGE RATING	10-30 VDC
AMPERAGE RATING PER PORT	4 AMPS
PROTECTION	IP67
OPERATING TEMPERATURE	-20°C TO 90°C
UL CERTIFICATIONS	UL RECOGNIZED, FILE NO. E46237
CSA CERTIFICATIONS	CSA CERTIFIED, FILE NO. LR6837

CORRECTED UL FILE # EC NO: WEU2010-0067 DRWN: LHARTMAN 8/25/09 CH'KD: BWOODMAN2009/08/27 APPR: JFMURPHY 2009/08/28	DESCRIPTION REV B	QUALITY SYMBOL ▽=0 ▽C=0	GENERAL TOLERANCES (UNLESS SPECIFIED) <table border="1"> <tr> <td></td> <td>mm</td> <td>INCH</td> </tr> <tr> <td>4 PLACES</td> <td>±----</td> <td>±----</td> </tr> <tr> <td>3 PLACES</td> <td>±----</td> <td>±----</td> </tr> <tr> <td>2 PLACES</td> <td>±----</td> <td>±.01</td> </tr> <tr> <td>1 PLACE</td> <td>±0.3</td> <td>±----</td> </tr> </table>		mm	INCH	4 PLACES	±----	±----	3 PLACES	±----	±----	2 PLACES	±----	±.01	1 PLACE	±0.3	±----	DIMENSION STYLE IN/MM DRAWN BY: BW DATE: 2009/04/02 CHECKED BY: TW DATE: 2009/04/02 APPROVED BY: JFMURPHY DATE: 2009/08/27	SCALE ---- DESIGN UNITS ---- THIRD ANGLE PROJECTION	TITLE MICRO-CHANGE MPIS 4 PORT TOP MOUNT NPN MINI 12 POLE MALE MOLEX INCORPORATED SD-120114-001 SHEET NO. 1 OF 1
			mm	INCH																	
		4 PLACES	±----	±----																	
		3 PLACES	±----	±----																	
2 PLACES	±----	±.01																			
1 PLACE	±0.3	±----																			
DRAFT WHERE APPLICABLE MUST REMAIN WITHIN DIMENSIONS			SIZE C	THIS DRAWING CONTAINS INFORMATION THAT IS PROPRIETARY TO MOLEX INCORPORATED AND SHOULD NOT BE USED WITHOUT WRITTEN PERMISSION																	
			SEE CHART	DOCUMENT NO. SD-120114-001																	
			MATERIAL NO. SEE CHART	SHEET NO. 1 OF 1																	