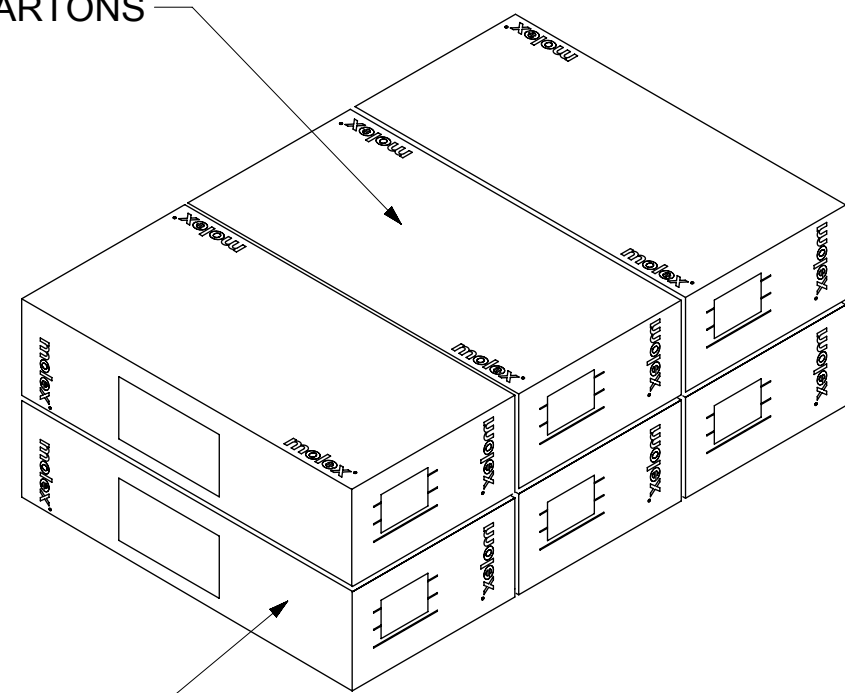


| 1 PC INCLUDES: |          |                           |          |                    |          |
|----------------|----------|---------------------------|----------|--------------------|----------|
| KIT PART NO.   | QUANTITY | LIGHT PIPE COVER ASSEMBLY | QUANTITY | SFP+ CAGE PART NO. | QUANTITY |
| 747548713      | 1        | 747540045                 | 1        | 747548420          | 1        |

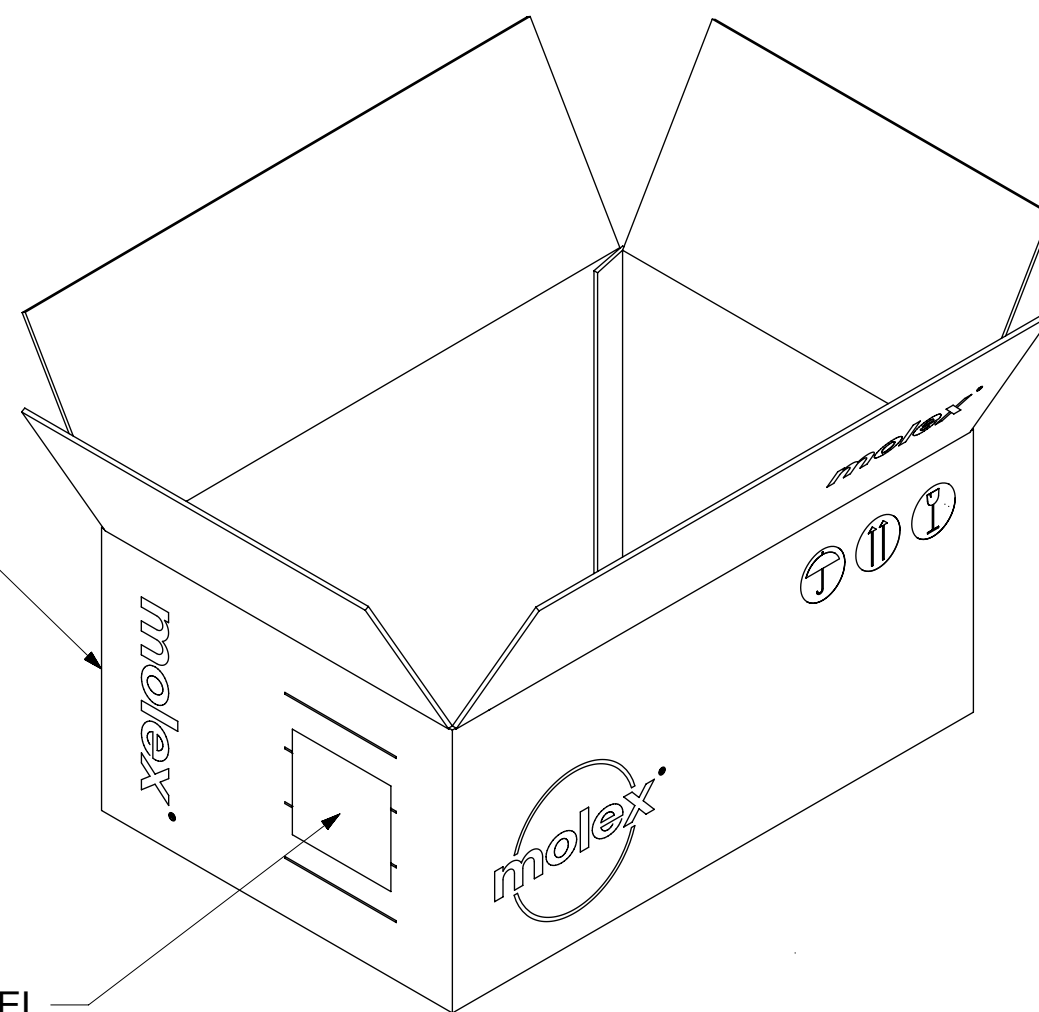
### STANDARD PACK QTY (SPQ) DESCRIPTION:

| PACKAGING KIT |               | LIGHT PIPE & COVER ASSEMBLY |                        |                                 | SFP+ CAGE ASSEMBLY            |           |                        |                                 |                               |
|---------------|---------------|-----------------------------|------------------------|---------------------------------|-------------------------------|-----------|------------------------|---------------------------------|-------------------------------|
| PART NO.      | STANDARD PACK | PART NO.                    | PARTS PER INNER CARTON | INNER CARTONS PER MASTER CARTON | TOTAL PARTS PER MASTER CARTON | PART NO.  | PARTS PER INNER CARTON | INNER CARTONS PER MASTER CARTON | TOTAL PARTS PER MASTER CARTON |
| 747548713     | 240           | 747540045                   | 80                     | 3                               | 240                           | 747548420 | 80                     | 3                               | 240                           |

LIGHT PIPE & COVER PACKAGING CARTONS  
SEE TABLE FOR PART NO.  
QTY 3



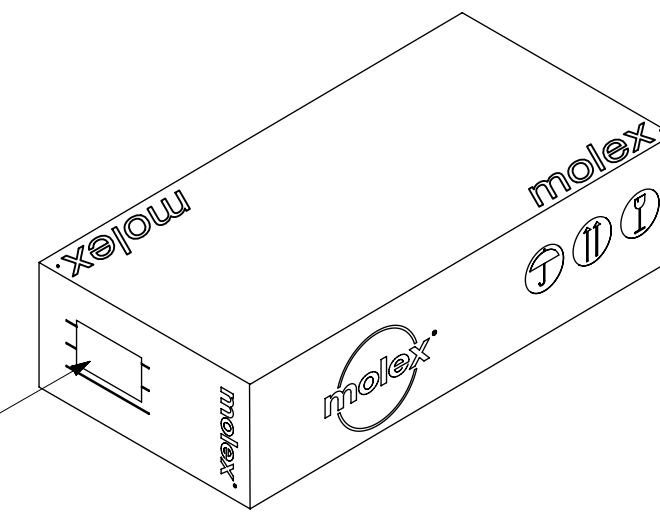
SFP+ CAGE PACKAGING CARTONS  
SEE TABLE FOR PART NO.  
QTY 3



MASTER CARTON  
QTY 1

SHIPPING LABEL

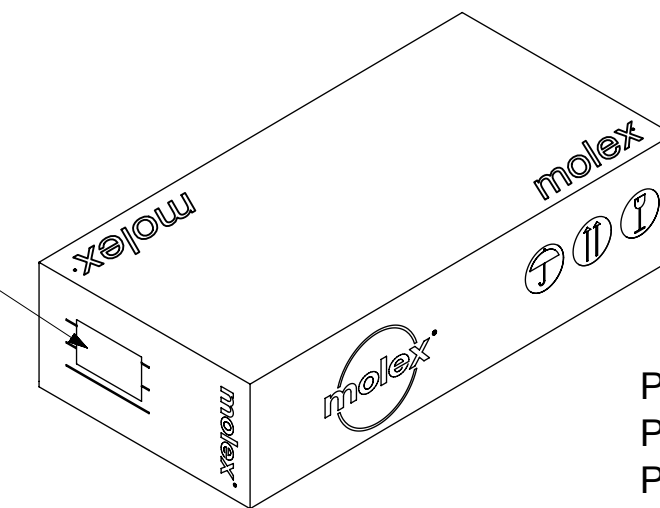
LABEL SHOWING  
SFP+ CAGE PART NO.



PARTS/TRAY = 10  
PARTS/INNER CARTON = 80  
PARTS/MASTER CARTON = 240

**SFP+ CAGE (SPQ)**

LABEL SHOWING  
LIGHT PIPE & COVER PART NO.



PARTS/TRAY = 10  
PARTS/INNER CARTON = 80  
PARTS/MASTER CARTON = 240

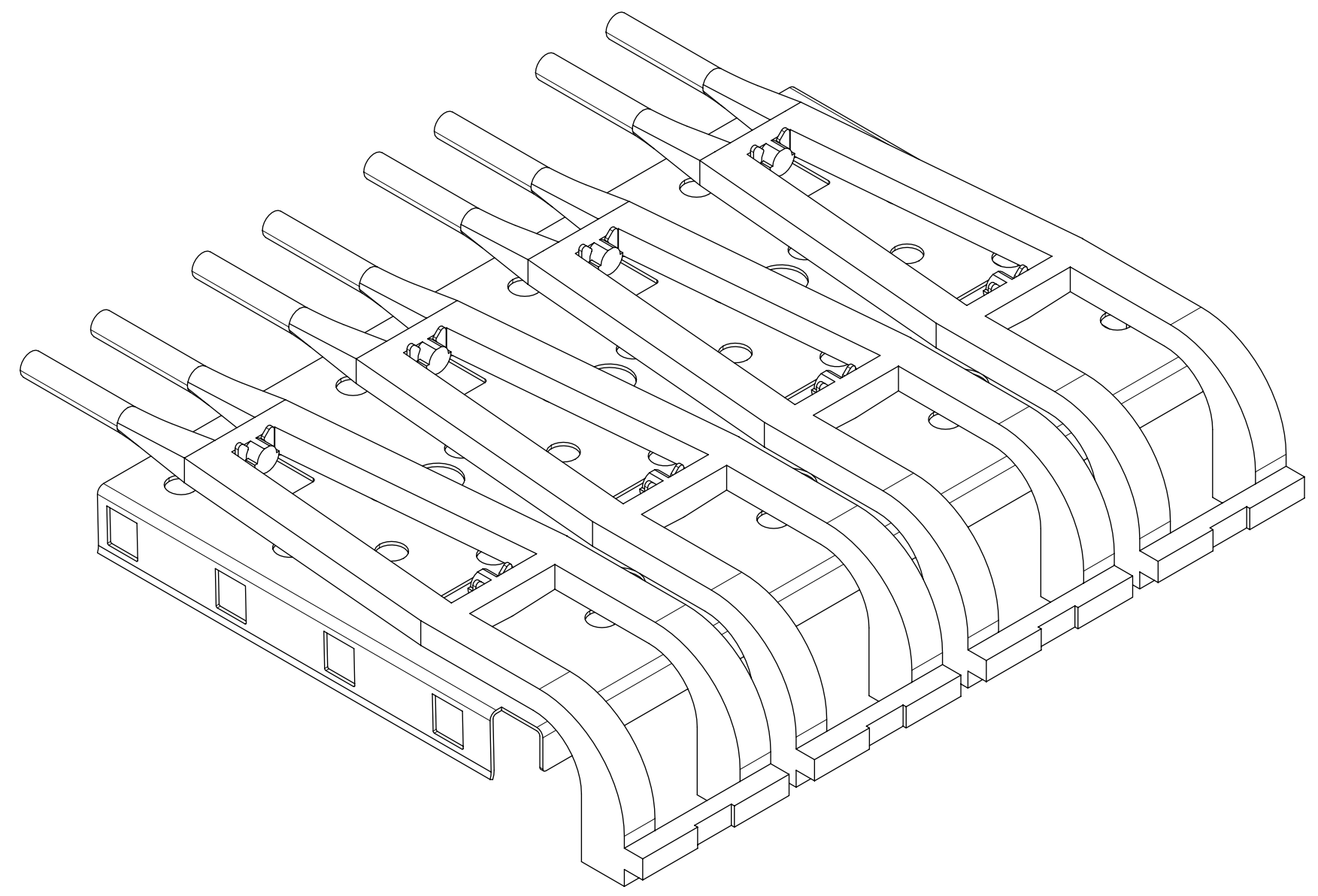
**LIGHT PIPE & COVER (SPQ)**

#### NOTES:

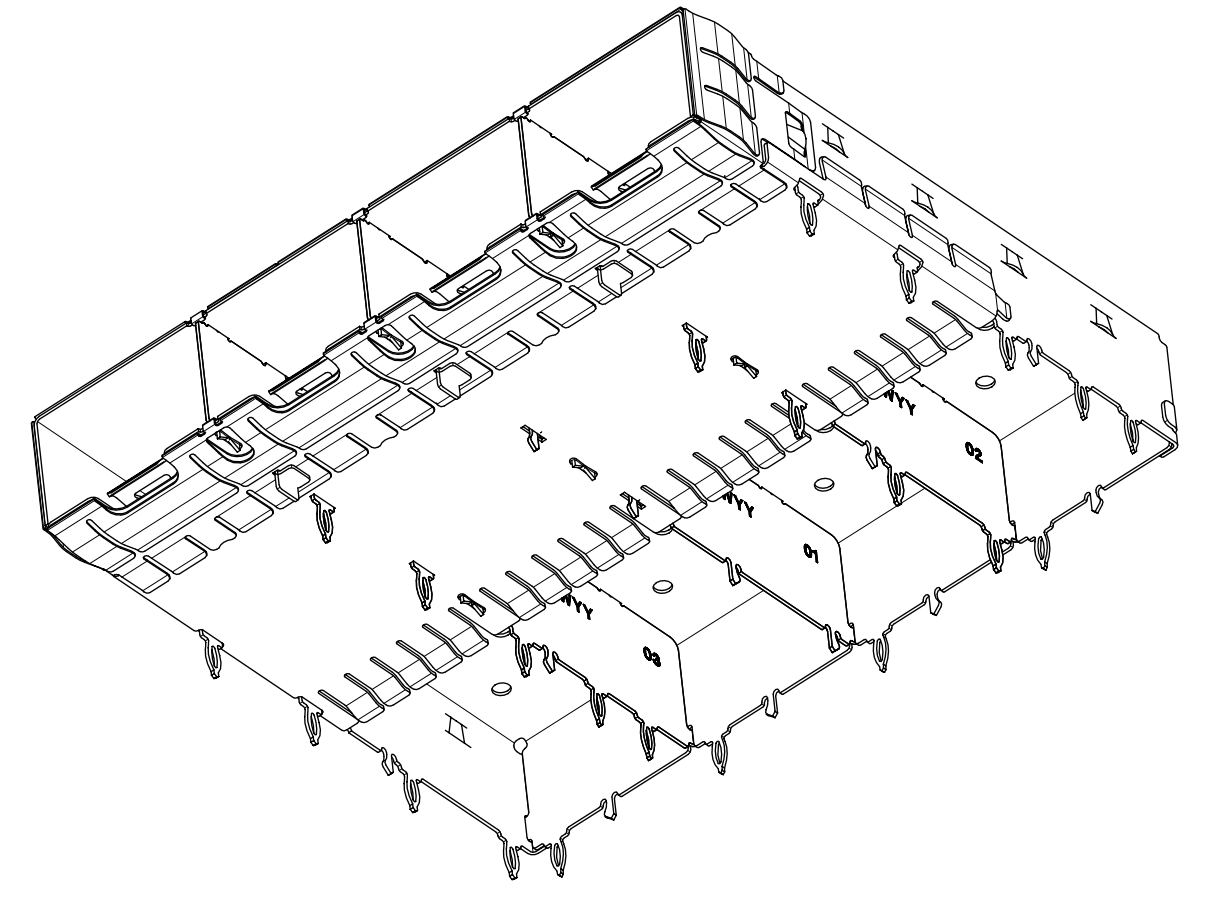
- MATERIAL:  
CAGE: 0.25mm THICK COPPER ALLOY, NICKEL PLATED  
FRONT EMI SPRING FINGERS: STAINLESS STEEL  
COVER: COPPER ALLOY  
LIGHT PIPE: POLYCARBONATE (94-V0 RATED)
- SFP+ LIGHT PIPE COVER ASSEMBLIES (3 CARTON) AND CAGE ASSEMBLIES (3 CARTONS) TO BE PLACED IN MASTER CARTON AS SHOWN.
- SHIPPING LABEL TO BE PLACED ON THE MASTER CARTON.
- NO RoHS EXEMPTIONS.

|                          |   |  |   |                 |          |
|--------------------------|---|--|---|-----------------|----------|
| FUNCTIONAL SYMBOLS       | THIS DRAWING CONTAINS INFORMATION THAT IS PROPRIETARY TO MOLEX ELECTRONIC TECHNOLOGIES, LLC AND SHOULD NOT BE USED WITHOUT WRITTEN PERMISSION |  |   |                 |          |
|                          | DIMENSION UNITS   | SCALE  | CURRENT REV DESC: SEE REVISION TABLE  |                 |          |
| $\nabla_A = 0$           | mm  | -----  | EC NO: 707270<br>DRWN: ABHILT2<br>CHK'D: TKUMARKC<br>APPR: SCHIEN           |                 |          |
| $\nabla_C = 0$           | GENERAL TOLERANCES (UNLESS SPECIFIED)   |  |   |                 |          |
| $\nabla_P = 0$           | ANGULAR TOL   | ± °  | 2022/04/11<br>2022/05/25<br>2022/06/01                                      |                 |          |
| DIVISIONAL SYMBOLS       | 4 PLACES  | ±  | INITIAL REVISION:   |                 |          |
|                          | 3 PLACES  | ±  | DRWN: ABHILT2<br>2022/04/11   |                 |          |
|                          | 2 PLACES  | ±  | APPR: SCHIEN<br>2022/06/01  |                 |          |
|                          | 1 PLACE   | ±  | DOCUMENT NUMBER   |                 |          |
| 0 PLACES                 | ±   | DRAFT WHERE APPLICABLE MUST REMAIN WITHIN DIMENSIONS |   |                 |          |
| THIRD ANGLE PROJECTION   |   | DRAWING  | SERIES  | MATERIAL NUMBER | CUSTOMER |
|                          |   | C-SIZE   | 74754   | 747548713       |          |
| MOLEX                    |   |  | 1X4 SFP+ CAGE ASSY PRESS FIT TYPE, W/ SUS SPRING FINGER & CUSTOM LIGHT PIPE |                 |          |
| PRODUCT CUSTOMER DRAWING |   |  | DOC TYPE DOC PART REVISION  |                 |          |
| 747548713                |   |  | PSD ASY A   |                 |          |
| SHEET NUMBER             |   |  | 1 OF 3  |                 |          |

747540045



747548420



|  |   |                        |   |              |                 |          |          |          |
|--|---|------------------------|---|--------------|-----------------|----------|----------|----------|
| FUNCTIONAL SYMBOLS                                   | THIS DRAWING CONTAINS INFORMATION THAT IS PROPRIETARY TO MOLEX ELECTRONIC TECHNOLOGIES, LLC AND SHOULD NOT BE USED WITHOUT WRITTEN PERMISSION |                        |   |              |                 |          |          |          |
|  | DIMENSION UNITS   | SCALE                  | CURRENT REV DESC: SEE REVISION TABLE                              |              |                 |          |          |          |
| $\frac{F}{A} = 0$                                    | mm  | -----                  | EC NO: 707270<br>DRWN: ABHILT2<br>CHK'D: TKUMARKC<br>APPR: SCHIEN |              |                 |          |          |          |
| $\frac{E}{C} = 0$                                    | GENERAL TOLERANCES (UNLESS SPECIFIED)   |                        |   |              |                 |          |          |          |
| $\frac{E}{P} = 0$                                    | ANGULAR TOL   | ± °                    | 2022/04/11<br>2022/05/25<br>2022/06/01                            |              |                 |          |          |          |
| DIVISIONAL SYMBOLS                                   | 4 PLACES  | ±                      | INITIAL REVISION:<br>DRWN: ABHILT2<br>APPR: SCHIEN                |              |                 |          |          |          |
|  | 3 PLACES  | ±                      |   |              |                 |          |          |          |
|  | 2 PLACES  | ±                      |   |              |                 |          |          |          |
|  | 1 PLACE   | ±                      |   |              |                 |          |          |          |
|  | 0 PLACES  | ±                      | 2022/04/11<br>2022/06/01  |              |                 |          |          |          |
| DRAFT WHERE APPLICABLE MUST REMAIN WITHIN DIMENSIONS |   | THIRD ANGLE PROJECTION | DRAWING   | SERIES       | DOCUMENT NUMBER | DOC TYPE | DOC PART | REVISION |
|  |   |                        | C-SIZE  | 74754        | 747548713       | PSD      | ASY      | A        |
| DOCUMENT STATUS                                      |   | P1                     | RELEASE DATE  | 2022/06/01   | 06:40:55        |          |          |          |
| MATERIAL NUMBER                                      |   | CUSTOMER               |   | SHEET NUMBER |                 |          |          |          |
| 747548713  |   |                        |   | 2 OF 3       |                 |          |          |          |

H

G

F

E

D

C

B

A

| REV | DATE       | DESCRIPTION     |
|-----|------------|-----------------|
| A   | 2022/05/25 | INITIAL RELEASE |
|     |            |                 |
|     |            |                 |
|     |            |                 |
|     |            |                 |
|     |            |                 |
|     |            |                 |
|     |            |                 |
|     |            |                 |
|     |            |                 |
|     |            |                 |
|     |            |                 |
|     |            |                 |
|     |            |                 |

|   |  |   |  |
|---|--|---|--|
| <b>FUNCTIONAL SYMBOLS</b><br>= 0<br>= 0<br>= 0<br><b>DIVISIONAL SYMBOLS</b> | THIS DRAWING CONTAINS INFORMATION THAT IS PROPRIETARY TO MOLEX ELECTRONIC TECHNOLOGIES, LLC AND SHOULD NOT BE USED WITHOUT WRITTEN PERMISSION<br>DIMENSION UNITS: <b>mm</b><br>SCALE: -----<br>GENERAL TOLERANCES (UNLESS SPECIFIED)<br>ANGULAR TOL ± °<br>4 PLACES ±<br>3 PLACES ±<br>2 PLACES ±<br>1 PLACE ±<br>0 PLACES ±<br>DRAFT WHERE APPLICABLE MUST REMAIN WITHIN DIMENSIONS | CURRENT REV DESC: SEE REVISION TABLE<br><br>EC NO: 707270<br>DRWN: ABHILT2<br>CHK'D: TKUMARKC<br>APPR: SCHIEN<br><br>INITIAL REVISION:<br>DRWN: ABHILT2<br>APPR: SCHIEN<br><br>THIRD ANGLE PROJECTION<br> | <b>molex</b><br><br>1X4 SFP+ CAGE ASSY PRESS FIT TYPE,<br>W/ SUS SPRING FINGER & CUSTOM LIGHT PIPE<br><br>PRODUCT CUSTOMER DRAWING<br>DOCUMENT NUMBER: <b>747548713</b><br>DOC TYPE: PSD    DOC PART: ASY    REVISION: <b>A</b><br>MATERIAL NUMBER: 747548713    CUSTOMER:    SHEET NUMBER: 3 OF 3 |
|   | 2022/04/11<br>2022/05/25<br>2022/06/01<br>2022/04/11<br>2022/06/01<br>C-SIZE    74754  |   |  |