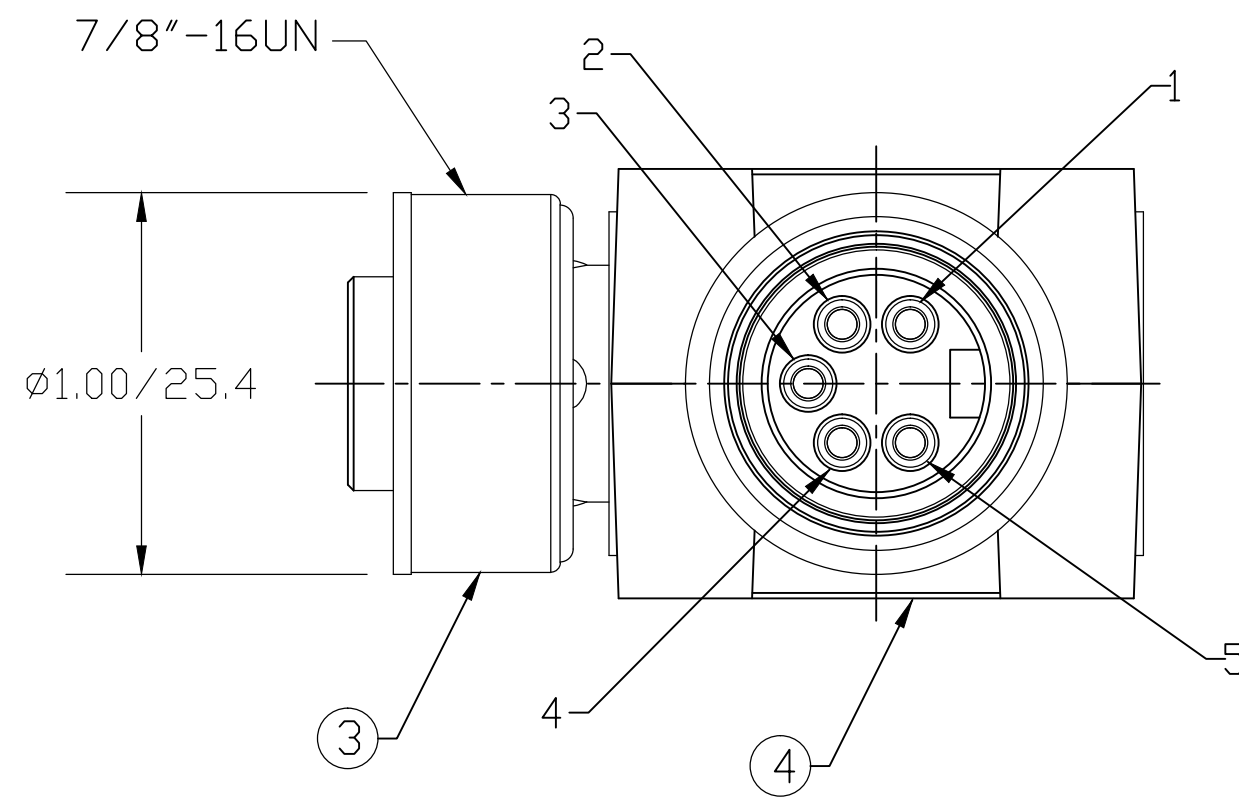
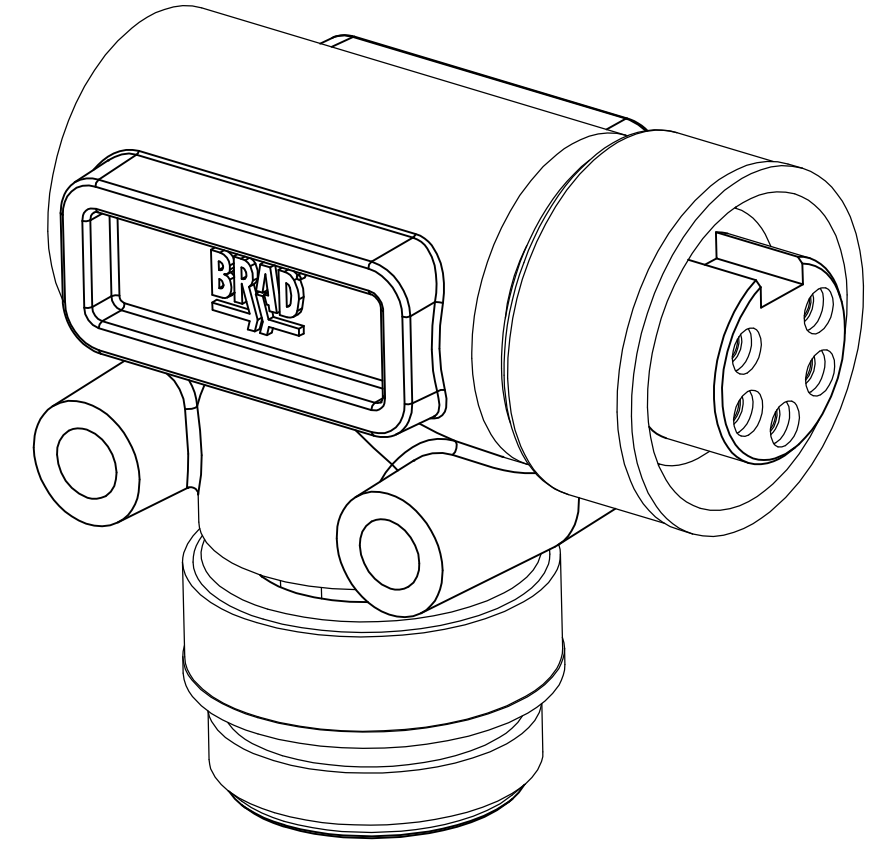
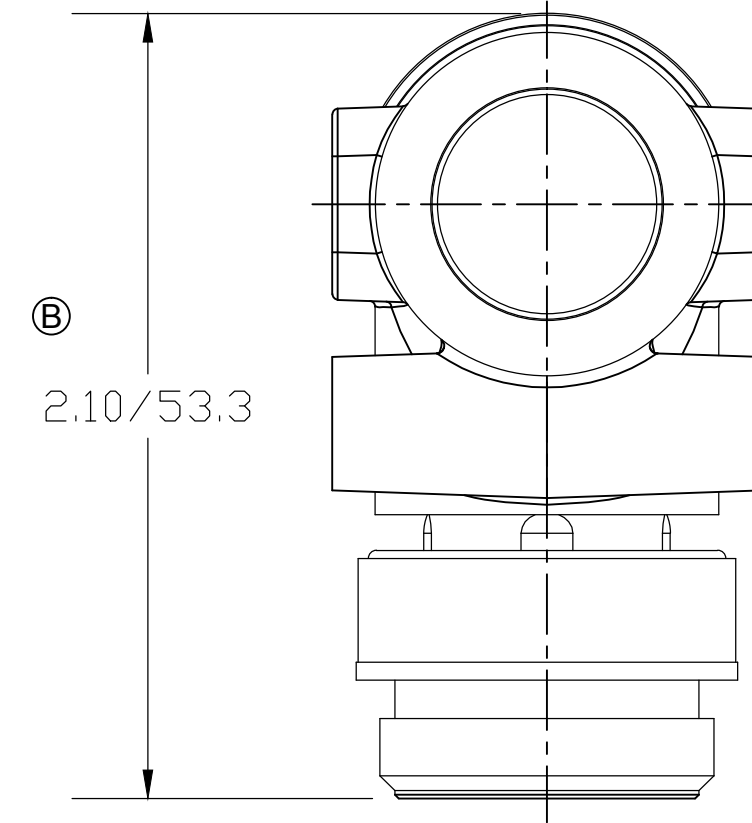
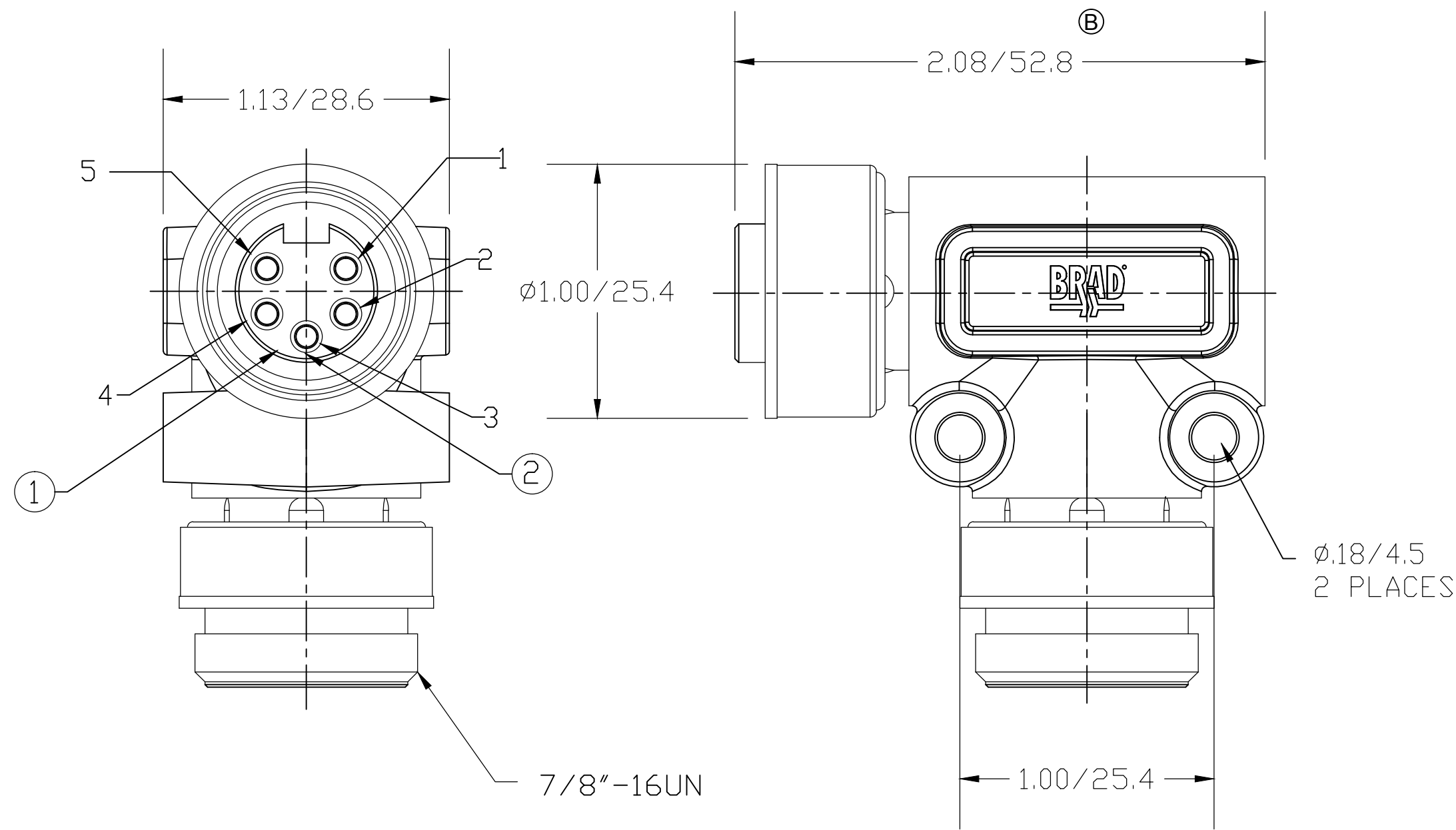
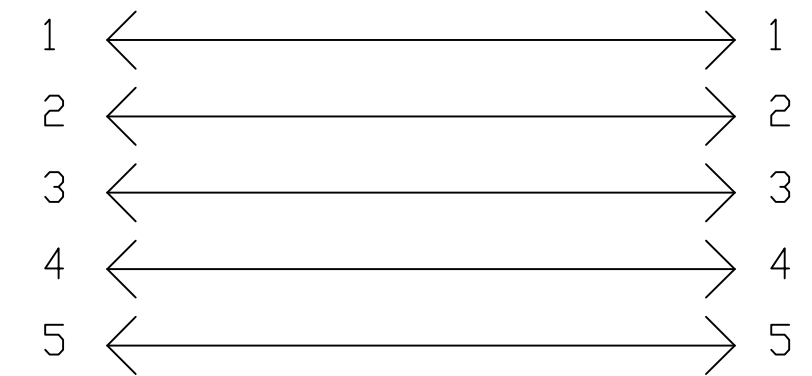


| MATERIAL NUMBER | OLD PART NUMBER |
|-----------------|-----------------|
| 130018-0210 | 41481 |



SCHEMATIC



| | |
|-----------------------|---------------------------------|
| VOLTAGE RATING | 600 VAC/VDC |
| AMPERAGE RATING | 8 AMPS |
| PROTECTION | IP67 |
| OPERATING TEMPERATURE | -20°C TO 80°C |
| UL CERTIFICATIONS | UL RECOGNIZED, FILE NO. E152210 |
| CSA CERTIFICATIONS | CSA CERTIFIED, FILE NO. LR6837 |

| ITEM | COMPONENT | MATERIAL | FINISH |
|------|--------------|---------------|------------------|
| 1 | INSERT | PVC | YELLOW |
| 2 | CONTACT | COPPER ALLOY | GOLD OVER NICKEL |
| 3 | COUPLING NUT | ZINC DIE CAST | BLACK E-COATED |
| 4 | OVERMOLD | PVC | YELLOW |

| | | | | | | |
|--------------------------------------------------------------------------------------------------------------------|----------------|---------------------------------------|-----------------|-------|--------------|------------------------|
| UPDATE DIMENSIONS EC NO.: IFC2018-0245 DRWN: CCHRSTK 2017/12/04 CHKD: RSTONE 2017/10/27 APPR: BWOODMAN | QUALITY SYMBOL | GENERAL TOLERANCES (UNLESS SPECIFIED) | DIMENSION STYLE | SCALE | DESIGN UNITS | THIRD ANGLE PROJECTION |
| | ▽=0 ▽C=0 | mm INCH | IN/MM | ---- | UNKNOWN | |

| | |
|------------------------------------------------------|-------|
| 4 PLACES ±---- | ±---- |
| 3 PLACES ±---- | ±---- |
| 2 PLACES ±--- | ±0.1 |
| 1 PLACE ±0.3 | ±---- |
| ANGULAR ±----° | |
| DRAFT WHERE APPLICABLE MUST REMAIN WITHIN DIMENSIONS | |

| | |
|--------------|------------|
| DRAWN BY | DATE |
| RDOMZALS | 2017/12/01 |
| CHECKED BY | DATE |
| JM | 2009/08/25 |
| APPROVED BY | DATE |
| ---- | ---- |
| MATERIAL NO. | SEE CHART |
| SIZE | C |

| | | |
|-------------------------------------------------------------------------------------------------------------------------------|------------------------------|-----------|
| TITLE | MC 5P FEMALE/MALE 90 ADAPTER | |
| MOLEX INCORPORATED | | |
| MATERIAL NO. | DOCUMENT NO. | SHEET NO. |
| SEE CHART | SD-130018-002 | 1 OF 1 |
| THIS DRAWING CONTAINS INFORMATION THAT IS PROPRIETARY TO MOLEX INCORPORATED AND SHOULD NOT BE USED WITHOUT WRITTEN PERMISSION | | |